

РОССИЙСКИЙ МОРСКОЙ РЕГИСТР СУДОХОДСТВА  
RUSSIAN MARITIME REGISTER OF SHIPPING



**ПРИЛОЖЕНИЕ К ПРАВИЛАМ  
РОССИЙСКОГО МОРСКОГО РЕГИСТРА СУДОХОДСТВА**

**УНИФИЦИРОВАННЫЕ ИНТЕРПРЕТАЦИИ  
МЕЖДУНАРОДНОЙ АССОЦИАЦИИ  
КЛАССИФИКАЦИОННЫХ ОБЩЕСТВ**

**SUPPLEMENT TO RULES  
OF RUSSIAN MARITIME REGISTER OF SHIPPING**

**IACS UNIFIED INTERPRETATIONS**

2-020101-076-R-E

**2013**

## СОДЕРЖАНИЕ CONTENTS

Номер документа Document number	Название документа Document name	Примечание Note
1. SC 191 (Rev.4 Sept. 2011, Corr.1 Nov. 2011) – eng SC 191 (Rev.4 Sept. 2011, Corr.1 Nov. 2011) - рус	IACS Unified Interpretations (UI) SC 191 for the application of amended SOLAS regulation II-1/3-6 (resolution MSC.151(78)) and revised Technical provisions for means of access for Inspections (resolution MSC.158(78))	Document is applied from 1 July 2012
<p><b>Применение:</b> Правила классификации и постройки морских судов (2013), том 1, часть III, пункт 7.14.2.  <b>Application:</b> Rules for the Classification and Construction of Sea-Going Ships (2013), Vol.1, Part III, item 7.14.2.</p>		
2. SC 226 (Nov 2008, Rev.1 Dec. 2012) – eng SC 226 (Nov 2008, Rev.1 Dec. 2012) – рус	IACS Unified Interpretations (UI) on the application of SOLAS regulations to conversions of Single-Hull Oil Tankers to Double-Hull Oil Tankers or Bulk Carriers	Document is applied from 1 January 2014
<p><b>Применение:</b> Правила классификации и постройки морских судов (2014), том 1, часть I, пункт 3.1.3.  <b>Application:</b> Rules for the Classification and Construction of Sea-Going Ships (2014), Vol.1, Part I, item 3.1.3.</p>		
3. SC 234 (Apr 2009), LL 76 (Apr 2009), MPC 96 (Apr 2009) - eng+рус	Initial Statutory Surveys at New Construction	Document is applied from 1 July 2010
<p><b>Применение:</b> Правила технического наблюдения за постройкой судов и изготовлением материалов и изделий для судов (2013), том 3, часть V, пункт 19.1.7.  <b>Application:</b> Rules for Technical Supervision during Construction of Ships and Manufacture of Materials and Products for Ships (2013), Vol. 3, Part V, item 19.1.7.</p>		
4. SC249 (Oct. 2011, Corr.1 Apr 2012, Rev.1 Feb 2013) – eng SC249 (Oct. 2011, Corr.1 Apr 2012, Rev.1 Feb 2013) – рус	Implementation of SOLAS II-1, Regulation 3-5 and MSC.1/Circ.1379	Document is applied from 1 July 2013
<p><b>Применение:</b> Правила технического наблюдения за постройкой судов и изготовлением материалов и изделий для судов (2013), том 3, часть V, пункт 19.1.7.  <b>Application:</b> Rules for Technical Supervision during Construction of Ships and Manufacture of Materials and Products for Ships (2013), Vol. 3, Part V, item 19.1.7.</p>		

Настоящее Приложение к правилам Российского морского регистра судоходства содержит обязательные для применения унифицированные интерпретации Международной ассоциации классификационных обществ (МАКО), ссылки на которые имеются в правилах и других нормативных документах Регистра.

Все материалы публикуются на русском и английском языках.

В случае расхождения в текстах основным следует считать английский текст.

Данный документ публикуется в электронном виде отдельным изданием и является обязательным Приложением к правилам Регистра.

The present Supplement to rules of Russian Maritime Register of Shipping contains IACS Unified Interpretations compulsory for implementation, which are referred to in the rules and other normative documents of the Register.

All materials are published in Russian and in English.

In case of discrepancies the English text shall be considered as the original.

The present document is published in electronic format as a separate edition and is a compulsory Supplement to the Register rules.

**SC  
191**

(Nov  
2004)  
(Rev.1  
May  
2005)  
(Rev.2  
Oct  
2005)  
(Corr.  
Dec  
2005)  
(Rev.3  
Mar  
2006)  
(Rev.4  
Sept  
2011)  
(Corr.1  
Nov  
2011)

**IACS Unified Interpretations (UI) SC 191 for the application of amended SOLAS regulation II-1/3-6 (resolution MSC.151(78)) and revised Technical provisions for means of access for inspections (resolution MSC.158(78))**

---

**Note:**

1. This UI is to be applied by IACS Members and Associates when acting as recognized organizations, authorized by flag State Administrations to act on their behalf, unless otherwise advised, from 1 January 2005.
2. Rev.1 (May 2005) introduced new Annex to UI SC 191. Rev.1 is to be applied by IACS Members and Associates from 1 July 2005.
3. Rev.2 (Oct.2005) re-categorized the Annex to UI SC191 (Rev.1) as Recommendation No.91.

Rev.2 (Oct.2005 / Corr. Dec. 2005) is to be applied by IACS Members and Associates to ships contracted for construction on or after 1 May 2006.

Refer to IMO MSC/Circ. 1176.

4. The 'contracted for construction' date means the date on which the contract to build the vessel is signed between the prospective owner and the shipbuilder. For further details about the date of 'contract for construction', refer to IACS Procedural Requirement (PR) No. 29.
5. Rev.3 is to be applied by IACS Members and Associates from 1 October 2006.
6. Rev.4 is to be applied by IACS Members to ships contracted for construction from 1 July 2012.

**SOLAS regulation II-1/3-6, section 1**

## 1 Application

1.1 Except as provided for in paragraph 1.2, this regulation applies to oil tankers of 500 gross tonnage and over and bulk carriers, as defined in regulation IX/1, of 20,000 gross tonnage and over, constructed on or after 1 January 2006.

1.2 Oil tankers of 500 gross tonnage and over constructed on or after 1 October 1994 but before 1 January 2005 shall comply with the provisions of regulation II-1/12-2 adopted by resolution MSC.27(61).

**Interpretation****Oil tankers:**

This regulation is only applicable to oil tankers having integral tanks for carriage of oil in bulk, which is contained in the definition of oil in Annex 1 of MARPOL 73/78. Independent oil tanks can be excluded.

Regulation II-1/3-6 is not normally applied to FPSO or FSO unless the Administration decides otherwise.

**Technical Background**

Means of Access (MA) specified in the Technical provisions contained in resolution MSC.158(78) are not specific with respect to the application to integral cargo oil tanks or also to independent cargo oil tanks. ESP requirements of oil tankers have been established assuming the target cargo oil tanks are integral tanks. The MA regulated under SOLAS regulation II-1/3-6 is for overall and close-up inspections as defined in regulation IX/1. Therefore it is assumed that the target cargo oil tanks are those of ESP, i.e. integral cargo tanks.

Regulation II-1/3-6 is applicable to FPSO or FSO if they are subject to the scope of ESP as contained in resolution A.744(18) as amended.

**Ref.**

SOLAS regulation IX/1 and resolution A.744 (18) as amended.

**SC  
191  
(cont)**

**SOLAS regulation II-1/3-6, paragraph 2.1**

2.1 Each space shall be provided with a permanent means of access to enable, throughout the life of a ship, overall and close-up inspections and thickness measurements of the ship's structures to be carried out by the Administration, the company, as defined in regulation IX/1, and the ship's personnel and others as necessary. Such means of access shall comply with the requirements of paragraph 5 and with the Technical provisions for means of access for inspections, adopted by the Maritime Safety Committee by resolution MSC.133(76), as may be amended by the Organization, provided that such amendments are adopted, brought into force and take effect in accordance with the provisions of article VIII of the present Convention concerning the amendment procedures applicable to the Annex other than chapter 1.

**Interpretation**

Each space for which close-up inspection is not required such as fuel oil tanks and void spaces forward of cargo area, may be provided with a means of access necessary for overall survey intended to report on the overall conditions of the hull structure.

**SOLAS regulation II-1/3-6, paragraph 2.2**

2.2 Where a permanent means of access may be susceptible to damage during normal cargo loading and unloading operations or where it is impracticable to fit permanent means of access, the Administration may allow, in lieu thereof, the provision of movable or portable means of access, as specified in the Technical provisions, provided that the means of attaching, rigging, suspending or supporting the portable means of access forms a permanent part of the ship's structure. All portable equipment shall be capable of being readily erected or deployed by ship's personnel.

**Interpretation**

Some possible alternative means of access are listed under paragraph 3.9 of the Technical Provisions for means of access for inspection (TP). Always subject to acceptance as equivalent by the Administration, alternative means such as an unmanned robot arm, ROV's and dirigibles with necessary equipment of the permanent means of access for overall and close-up inspections and thickness measurements of the deck head structure such as deck transverses and deck longitudinals of cargo oil tanks and ballast tanks, are to be capable of:

- safe operation in ullage space in gas-free environment;
- introduction into the place directly from a deck access.

When considering use of alternative means of access as addressed by paragraph 3.9 of the TP, refer to IACS Recommendation No.91 "Guidelines for Approval/Acceptance of Alternative Means of Access".

**Technical Background**

Innovative approaches, in particular a development of robot in place of elevated passageways, are encouraged and it is considered worthwhile to provide the functional requirement for the innovative approach.

**SOLAS regulation II-1/3-6, paragraph 2.3**

2.3 The construction and materials of all means of access and their attachment to the ship's structure shall be to the satisfaction of the Administration. The means of access shall be subject to survey prior to, or in conjunction with, its use in carrying out surveys in accordance with regulation I/10.

**Interpretation****Inspection**

The MA arrangements, including portable equipment and attachments, are to be periodically inspected by the crew or competent inspectors as and when it is going to be used to confirm that the MAs remain in serviceable condition.

**Procedures**

1. Any Company authorised person using the MA shall assume the role of inspector and check for obvious damage prior to using the access arrangements. Whilst using the MA the inspector is to verify the condition of the sections used by close up examination of those sections and note any deterioration in the provisions. Should any damage or deterioration be found, the effect of such deterioration is to be assessed as to whether the damage or deterioration affects the safety for continued use of the access. Deterioration found that is considered to affect safe use is to be determined as "substantial damage" and measures are to be put in place to ensure that the affected section(s) are not to be further used prior effective repair.
2. Statutory survey of any space that contains MA shall include verification of the continued effectiveness of the MA in that space. Survey of the MA shall not be expected to exceed the scope and extent of the survey being undertaken. If the MA is found deficient the scope of survey is to be extended if this is considered appropriate.
3. Records of all inspections are to be established based on the requirements detailed in the ships Safety Management System. The records are to be readily available to persons using the MAs and a copy attached to the MA Manual. The latest record for the portion of the MA inspected is to include as a minimum the date of the inspection, the name and title of the inspector, a confirmation signature, the sections of MA inspected, verification of continued serviceable condition or details of any deterioration or substantial damage found. A file of permits issued is to be maintained for verification.

**Technical Background**

It is recognised that MA may be subject to deterioration in the long term due to corrosive environment and external forces from ship motions and sloshing of liquid contained in the tank. MA therefore is to be inspected at every opportunity of tank/space entry. The above interpretation is to be contained in a section of the MA Manual.



**SOLAS regulation II-1/3-6, paragraph 3.1**

3 Safe access to cargo holds, cargo tanks, ballast tanks and other spaces

3.1 Safe access\* to cargo holds, cofferdams, ballast tanks, cargo tanks and other spaces in the cargo area shall be direct from the open deck and such as to ensure their complete inspection. Safe access to double bottom spaces or to forward ballast tanks may be from a pump-room, deep cofferdam, pipe tunnel, cargo hold, double hull space or similar compartment not intended for the carriage of oil or hazardous cargoes.

\* Refer to the Recommendations for entering enclosed spaces aboard ships, adopted by the Organization by resolution A.864(20).

**Interpretation**

Access to a double side skin space of bulk carriers may be either from a topside tank or double bottom tank or from both.

**Technical Background**

Unless used for other purposes, the double side skin space is to be designed as a part of a large U-shaped ballast tank and such space is to be accessed through the adjacent part of the tank, i.e. topside tank or double bottom/bilge hopper tank. Access to the double side skin space from the adjacent part rather than direct from the open deck is justified. Any such arrangement is to provide a directly routed, logical and safe access that facilitates easy evacuation of the space.

**SC  
191  
(cont)**

**SOLAS regulation II-1/3-6, paragraph 3.2**

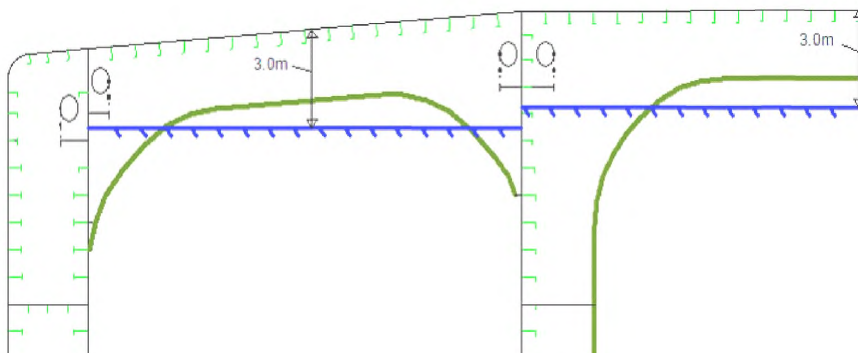
3.2 Tanks, and subdivisions of tanks, having a length of 35 m or more shall be fitted with at least two access hatchways and ladders, as far apart as practicable. Tanks less than 35 m in length shall be served by at least one access hatchway and ladder. When a tank is subdivided by one or more swash bulkheads or similar obstructions which do not allow ready means of access to the other parts of the tank, at least two hatchways and ladders shall be fitted.

**Interpretation**

A cargo oil tank of less than 35 m length without a swash bulkhead requires only one access hatch.

Where rafting is indicated in the ship structures access manual as the means to gain ready access to the under deck structure, the term "*similar obstructions*" referred to in the regulation includes internal structures (e.g., webs >1.5m deep) which restrict the ability to raft (at the maximum water level needed for rafting of under deck structure) directly to the nearest access ladder and hatchway to deck. When rafts or boats alone, as an alternative means of access, are allowed under the conditions specified in resolution A.744(18), permanent means of access are to be provided to allow safe entry and exit. This means:

- a) access direct from the deck via a vertical ladder and small platform fitted approximately 2m below the deck in each bay; or
- b) access to deck from a longitudinal permanent platform having ladders to deck in each end of the tank. The platform shall, for the full length of the tank, be arranged in level with, or above, the maximum water level needed for rafting of under deck structure. For this purpose, the ullage corresponding to the maximum water level is to be assumed not more than 3m from the deck plate measured at the midspan of deck transverses and in the middle length of the tank. (See Figure below). A permanent means of access from the longitudinal permanent platform to the water level indicated above is to be fitted in each bay (e.g., permanent rungs on one of the deck webs inboard of the longitudinal permanent platform).



**SOLAS regulation II-1/3-6, paragraph 4.1****4 Ship structure access manual**

4.1 A ship's means of access to carry out overall and close-up inspections and thickness measurements shall be described in a Ship structure access manual approved by the Administration, an updated copy of which shall be kept on board. The Ship structure access manual shall include the following for each space:

- .1 plans showing the means of access to the space, with appropriate technical specifications and dimensions;
- .2 plans showing the means of access within each space to enable an overall inspection to be carried out, with appropriate technical specifications and dimensions. The plans shall indicate from where each area in the space can be inspected;
- .3 plans showing the means of access within the space to enable close-up inspections to be carried out, with appropriate technical specifications and dimensions. The plans shall indicate the positions of critical structural areas, whether the means of access is permanent or portable and from where each area can be inspected;
- .4 instructions for inspecting and maintaining the structural strength of all means of access and means of attachment, taking into account any corrosive atmosphere that may be within the space;
- .5 instructions for safety guidance when rafting is used for close-up inspections and thickness measurements;
- .6 instructions for the rigging and use of any portable means of access in a safe manner;
- .7 an inventory of all portable means of access; and
- .8 records of periodical inspections and maintenance of the ship's means of access.

**Interpretation**

The access manual is to address spaces listed in paragraph 3 of the regulation II-1/3-6.

As a minimum the English version is to be provided.

The ship structure access manual is to contain at least the following two parts:

**Part 1:** Plans, instructions and inventory required by paragraphs 4.1.1 to 4.1.7 of regulation II-1/3-6. This part is to be approved by the Administration or the organization recognised by the Administration.

**Part 2:** Form of record of inspections and maintenance, and change of inventory of portable equipment due to additions or replacement after construction. This part is to be approved for its form only at new building.

The following matters are to be addressed in the ship structure access manual:

1. The access manual is to clearly cover scope as specified in the regulations for use by crews, surveyors and port State control officers.

**SC  
191  
(cont)**

2. Approval / re-approval procedure for the manual, i.e. any changes of the permanent, portable, movable or alternative means of access within the scope of the regulation and the Technical provisions are subject to review and approval by the Administration or by the organization recognised by the Administration.
3. Verification of MA is to be part of safety construction survey for continued effectiveness of the MA in that space which is subject to the statutory survey.
4. Inspection of MA by the crew and/or a competent inspector of the company as a part of regular inspection and maintenance (see interpretation for paragraph 2.3 of SOLAS regulation II-1/3-6).
5. Actions to be taken if MA is found unsafe to use.
6. In case of use of portable equipment plans showing the means of access within each space indicating from where and how each area in the space can be inspected.

Refer to IACS Recommendation No.90 "Ship Structural Access Manual"

**SOLAS regulation II-1/3-6, paragraph 4.2**

4.2 For the purpose of this regulation “critical structural areas” are locations which have been identified from calculations to require monitoring or from the service history of similar or sister ships to be sensitive to cracking, buckling, deformation or corrosion which would impair the structural integrity of the ship.

**Interpretation**

- 1) Critical structural areas are to be identified by advanced calculation techniques for structural strength and fatigue performance, if available, and feed back from the service history and design development of similar or sister ships.
- 2) Reference is to be made to the following publications for critical structural areas, where applicable:
  - Oil tankers: Guidance Manual for Tanker Structures by TSCF;
  - Bulk carriers: Bulk Carriers Guidelines for Surveys, Assessment and Repair of Hull Structure by IACS;
  - Oil tankers and bulk carriers: resolution A.744 (18), as amended.

**Technical Background**

These documents contain the relevant information for the present ship types. However identification of critical areas for new double hull tankers and double side skin bulk carriers of improved structural design is to be made by structural analysis at the design stage, this information is to be taken in to account to ensure appropriate access to all identified critical areas.

**SOLAS regulation II-1/3-6, paragraph 5.1****5 General technical specifications**

5.1 For access through horizontal openings, hatches or manholes, the dimensions shall be sufficient to allow a person wearing a self-contained air-breathing apparatus and protective equipment to ascend or descend any ladder without obstruction and also provide a clear opening to facilitate the hoisting of an injured person from the bottom of the space. The minimum clear opening shall not be less than 600 mm x 600 mm. When access to a cargo hold is arranged through the cargo hatch, the top of the ladder shall be placed as close as possible to the hatch coaming. Access hatch coamings having a height greater than 900 mm shall also have steps on the outside in conjunction with the ladder.

**Interpretation**

The minimum clear opening of 600 mm x 600 mm may have corner radii up to 100 mm maximum. The clear opening is specified in MSC/Circ.686 to keep the opening fit for passage of personnel wearing a breathing apparatus. In such a case where as a consequence of structural analysis of a given design the stress is to be reduced around the opening, it is considered appropriate to take measures to reduce the stress such as making the opening larger with increased radii, e.g. 600 x 800 with 300 mm radii, in which a clear opening of 600 x 600 mm with corner radii up to 100mm maximum fits.

**Technical Background**

The interpretation is based upon the established Guidelines in MSC/Circ.686.

**Ref.**

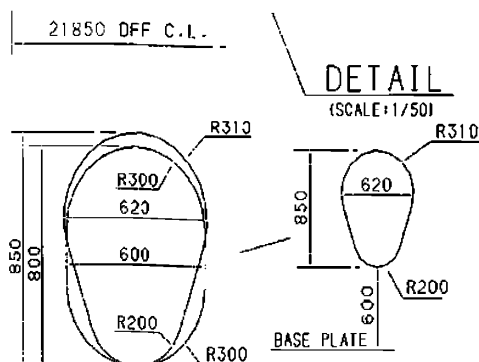
Paragraphs 9 of Annex of MSC/Circ.686.

**SC  
191  
(cont)**
**SOLAS regulation II-1/3-6, paragraph 5.2**

5.2 For access through vertical openings, or manholes, in swash bulkheads, floors, girders and web frames providing passage through the length and breadth of the space, the minimum opening shall be not less than 600 mm x 800 mm at a height of not more than 600 mm from the bottom shell plating unless gratings or other foot holds are provided.

**Interpretation**

1. The minimum clear opening of not less than 600 mm x 800 mm may also include an opening with corner radii of 300 mm. An opening of 600mm in height x 800mm in width may be accepted as access openings in vertical structures where it is not desirable to make large opening in the structural strength aspects, i.e. girders and floors in double bottom tanks.
2. Subject to verification of easy evacuation of injured person on a stretcher the vertical opening 850 mm x 620 mm with wider upper half than 600 mm, while the lower half may be less than 600 mm with the overall height not less than 850 mm is considered an acceptable alternative to the traditional opening of 600 mm x 800 mm with corner radii of 300 mm.



3. If a vertical opening is at a height of more than 600 mm steps and handgrips are to be provided. In such arrangements it is to be demonstrated that an injured person can be easily evacuated.

**Technical Background**

The interpretation is based upon the established Guidelines in MSC/Circ.686 and an innovative design is considered for easy access by humans through the opening.

**Ref.**

Paragraphs 11 of Annex of MSC/Circ.686.

**Technical Provision, resolution MSC.158(78), paragraph 1.3****1. Preamble**

1.3 In order to address this issue, the Organization has developed these Technical provisions for means of access for inspections (hereinafter called the "Technical provisions"), intended to facilitate close-up inspections and thickness measurements of the ship's structure referred to in SOLAS regulation II-1/3-6 on Access to and within spaces in, and forward of, the cargo area of oil tankers and bulk carriers. The Technical provisions do not apply to the cargo tanks of combined chemical/oil tankers complying with the provisions of the IBC Code.

**Interpretation**

A "combined chemical/oil tankers complying with the provisions of the IBC Code" is a tanker that holds both a valid IOPP certificate as tanker and a valid certificate of fitness for the carriage of dangerous chemicals in bulk. i.e. a tanker that is certified to carry both oil cargoes under MARPOL Annex I and Chemical cargoes in chapter 17 of the IBC Code either as full or part cargoes.

The Technical provisions are to be applied to ballast tanks of combined chemical/oil tankers complying with the provisions of the IBC Code.



**Technical Provision, resolution MSC.158(78), paragraph 1.4****1. Preamble**

1.4 Permanent means of access which are designed to be integral parts of the structure itself are preferred and Administrations may allow reasonable deviations to facilitate such designs.

**Interpretation**

In the context of the above requirement, the deviation shall be applied only to distances between integrated PMA that are the subject of paragraph 2.1.2 of Table 1.

Deviations shall not be applied to the distances governing the installation of underdeck longitudinal walkways and dimensions that determine whether permanent access are required or not, such as height of the spaces and height to elements of the structure (e.g. cross-ties).

**SC  
191  
(cont)****Technical Provision, resolution MSC.158(78), paragraph 3.1**

3.1 Structural members subject to the close-up inspections and thickness measurements of the ship's structure referred to in SOLAS regulation II-1/ 3-6, except those in double bottom spaces, shall be provided with a permanent means of access to the extent as specified in table 1 and table 2, as applicable. For oil tankers and wing ballast tanks of ore carriers, approved alternative methods may be used in combination with the fitted permanent means of access, provided that the structure allows for its safe and effective use.

**Interpretation**

The permanent means of access to a space can be credited for the permanent means of access for inspection.

**Technical Background**

The Technical provisions specify means of access to a space and to hull structure for carrying out overall and close up surveys and inspections. Requirements of MA to hull structure may not always be suitable for access to a space. However if the MA for access to a space can also be used for the intended surveys and inspections such MA can be credited for the MA for use for surveys and inspections.

**SC  
191  
(cont)**

**Technical Provision, resolution MSC.158(78), paragraph 3.3**

3.3 Elevated passageways forming sections of a permanent means of access, where fitted, shall have a minimum clear width of 600 mm, except for going around vertical webs where the minimum clear width may be reduced to 450 mm, and have guard rails over the open side of their entire length. Sloping structure providing part of the access shall be of a non-skid construction. Guard rails shall be 1,000 mm in height and consist of a rail and intermediate bar rail 500 mm in height and of substantial construction. Stanchions shall be not more than 3 m apart.

**Interpretation**

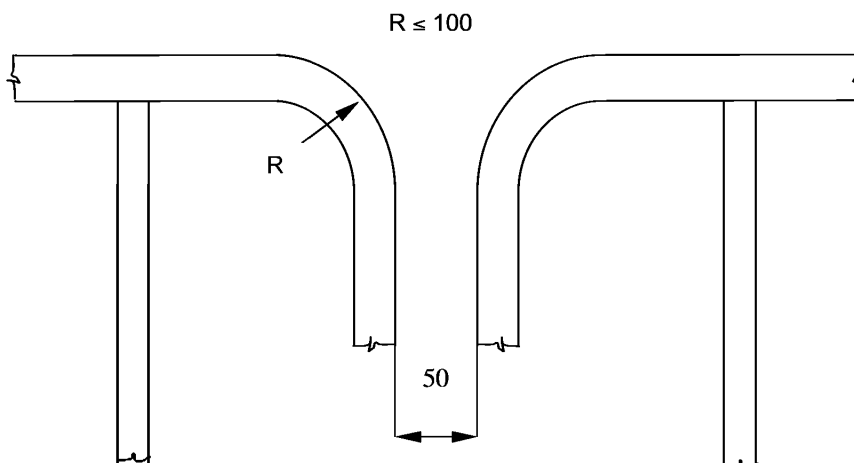
1. Sloping structures are structures that are sloped by 5 or more degrees from horizontal plane when a ship is in upright position at even-keel.
2. Guard rails are to be fitted on the open side and should be at least 1,000 mm in height. For stand alone passageways guard rails are to be fitted on both sides of these structures. Guardrail stanchions are to be attached to the PMA. The distance between the passageway and the intermediate bar rail and the distance between intermediate bar rail and the top rail shall not be more than 500 mm.
3. Discontinuous top handrails are allowed, provided the gap does not exceed 50 mm.

The same maximum gap is to be considered between the top handrail and other structural members (i.e. bulkhead, web frame, etc.).

The maximum distance between the adjacent stanchions across the handrail gaps is to be 350 mm where the top and mid handrails are not connected together and 550 mm when they are connected together.

The maximum distance between the stanchion and other structural members is not to exceed 200 mm where the top and mid handrails are not connected together and 300 mm when they are connected together.

When the top and mid handrails are connected by a bent rail, the outside radius of the bent part is not to exceed 100 mm (see Figure below).



**SC  
191  
(cont)**

4. Non-skid construction is such that the surface on which personnel walks provides sufficient friction to the sole of boots even if the surface is wet and covered with thin sediment.
5. "Substantial construction" is taken to refer to the ~~as-designed~~ as-designed strength as well as the residual strength during the service life of the vessel. Durability of passageways together with guard rails is to be ensured by the initial corrosion protection and inspection and maintenance during services.
6. For guard rails, use of alternative materials such as GRP is to be subject to compatibility with the liquid carried in the tank. Non-fire resistant materials are not to be used for means of access to a space with a view to securing an escape route at a high temperature.
7. Requirements for resting platforms placed between ladders are equivalent to those applicable to elevated passageways.

**Ref.**

Paragraph 10 of Annex to MSC/Circ.686

**SC  
191  
(cont)****Technical Provision, resolution MSC.158(78), paragraph 3.4**

3.4 Access to permanent means of access and vertical openings from the ship's bottom shall be provided by means of easily accessible passageways, ladders or treads. Treads shall be provided with lateral support for the foot. Where the rungs of ladders are fitted against a vertical surface, the distance from the centre of the rungs to the surface shall be at least 150 mm. Where vertical manholes are fitted higher than 600 mm above the walking level, access shall be facilitated by means of treads and hand grips with platform landings on both sides.

**Interpretation**

Where the vertical manhole is at a height of more than 600 mm above the walking level, it shall be demonstrated that an injured person can be easily evacuated.

**Technical Provision, resolution MSC.158(78), paragraph 3.5**

3.5 Permanent inclined ladders shall be inclined at an angle of less than 70°. There shall be no obstructions within 750 mm of the face of the inclined ladder, except that in way of an opening this clearance may be reduced to 600 mm. Resting platforms of adequate dimensions shall be provided normally at a maximum of 6 m vertical height. Ladders and handrails shall be constructed of steel or equivalent material of adequate strength and stiffness and securely attached to the structure by stays. The method of support and length of stay shall be such that vibration is reduced to a practical minimum. In cargo holds, ladders shall be designed and arranged so that the risk of damage from cargo handling gear is minimized.

***MA for access to ballast tanks, cargo tanks and spaces other than fore peak tanks:*****For oil tankers:**

1. Tanks and subdivisions of tanks having a length of 35 m or more with two access hatchways:

First access hatchway: Inclined ladder or ladders are to be used.

Second access hatchway:

- i. A vertical ladder may be used. In such a case where the vertical distance is more than 6 m, vertical ladders are to comprise one or more ladder linking platforms spaced not more than 6 m apart vertically and displaced to one side of the ladder.

The uppermost section of the vertical ladder, measured clear of the overhead obstructions in way of the tank entrance, is not to be less than 2.5 m but not exceed 3.0 m and is to comprise a ladder linking platform which is to be displaced to one side of a vertical ladder. However, the vertical distance of the upper most section of the vertical ladder may be reduced to 1.6 m, measured clear of the overhead obstructions in way of the tank entrance, if the ladder lands on a longitudinal or athwartship permanent means of access fitted within that range; or

- ii. Where an inclined ladder or combination of ladders is used for access to the space, the uppermost section of the ladder, measured clear of the overhead obstructions in way of the tank entrance, is to be vertical for not less than 2.5 m but not exceed 3.0m and is to comprise a landing platform continuing with an inclined ladder. However, the vertical distance of the upper most section of the vertical ladder may be reduced to 1.6 m, measured clear of the overhead obstructions in way of the tank entrance, if the ladder lands on a longitudinal or athwartship permanent means of access fitted within that range. The flights of the inclined ladders are normally to be not more than 6 m in vertical height. The lowermost section of the ladders may be vertical for the vertical distance not exceeding 2.5 m.

2. Tanks less than 35 m in length and served by one access hatchway an inclined ladder or combination of ladders are to be used to the space as specified in 1.ii above.
3. In double-hull spaces of less than 2.5 m width the access to the space may be by means of vertical ladders that comprises one or more ladder linking platforms spaced not more than 6 m apart vertically and displaced to one side of the ladder. The uppermost section of the vertical ladder, measured clear of the overhead obstructions in way of the tank entrance, is not to be less than 2.5 m but not exceed 3.0 m and is to comprise a ladder linking platform which is to be displaced to one side of a vertical ladder. However, the vertical distance of the upper most section of the vertical ladder

**SC  
191  
(cont)**

may be reduced to 1.6 m, measured clear of the overhead obstructions in way of the tank entrance, if the ladder lands on a longitudinal athwartship permanent means of access fitted within that range. Adjacent sections of the ladder are to be laterally offset from each other by at least the width of the ladder (see paragraph 20 of MSC/Circ.686).

4. Access from deck to a double bottom space may be by means of vertical ladders through a trunk. The vertical distance from deck to a resting platform, between resting platforms or a resting platform and the tank bottom is not to be more than 6 m unless otherwise approved by the Administration.

***MA for inspection of the vertical structure of oil tankers:***

Vertical ladders provided for means of access to the space may be used for access for inspection of the vertical structure.

Unless stated otherwise in Table 1 of TP, vertical ladders that are fitted on vertical structures for inspection are to comprise one or more ladder linking platforms spaced not more than 6 m apart vertically and displace to one side of the ladder. Adjacent sections of ladder are to be laterally offset from each other by at least the width of the ladder (paragraph 20 of MSC/Circ.686).

***Obstruction distances***

The minimum distance between the inclined ladder face and obstructions, i.e. 750 mm and, in way of openings, 600 mm specified in TP 3.5 is to be measured perpendicular to the face of the ladder.

**Technical Background**

It is a common practice to use a vertical ladder from deck to the first landing to clear overhead obstructions before continuing to an inclined ladder or a vertical ladder displaced to one side of the first vertical ladder.

**Ref.**

For vertical ladders: Paragraph 20 of the annex to MSC/Circ.686.

**Technical Provision, resolution MSC.158(78), paragraph 3.6**

3.6 The width of inclined ladders between stringers shall not be less than 400 mm. The treads shall be equally spaced at a distance apart, measured vertically, of between 200 mm and 300 mm. When steel is used, the treads shall be formed of two square bars of not less than 22 mm by 22 mm in section, fitted to form a horizontal step with the edges pointing upward. The treads shall be carried through the side stringers and attached thereto by double continuous welding. All inclined ladders shall be provided with handrails of substantial construction on both sides fitted at a convenient distance above the treads.

**Interpretation**

1. Vertical height of handrails is not to be less than 890 mm from the center of the step and two course handrails ~~need only~~ are to be provided where the gap between stringer and top handrail is greater than 500 mm.
2. The requirement of two square bars for treads specified in TP, paragraph 3.6, is based upon the specification of construction of ladders in paragraph 3(e) of Annex 1 to resolution A.272(VIII), which addresses inclined ladders. TP, paragraph 3.4, allows for single rungs fitted to vertical surfaces, which is considered for a safe grip. For vertical ladders, when steel is used, the rungs are to be formed of single square bars of not less than 22 mm by 22 mm for the sake of safe grip.
3. The width of inclined ladders for access to a cargo hold is to be at least 450 mm to comply with the Australian AMSA Marine Orders Part 32, Appendix 17.
4. The width of inclined ladders other than an access to a cargo hold is to be not less than 400 mm.
5. The minimum width of vertical ladders is to be 350 mm and the vertical distance between the rungs is to be equal and is to be between 250 mm and 350 mm.
6. A minimum climbing clearance in width is to be 600 mm other than the ladders placed between the hold frames.
7. The vertical ladders are to be secured at intervals not exceeding 2.5 m apart to prevent vibration.

**Technical Background**

- TP, paragraph 3.6, is a continuation of TP, paragraph 3.5, which addresses inclined ladders. Interpretations for vertical ladders are needed based upon the current standards of IMO, AMSA or the industry.
- Interpretations 2 and 5 address vertical ladders based upon the current standards.
- Double square bars for treads become too large for a grip for vertical ladders and single rungs facilitate a safe grip.
- Interpretation 7 is introduced consistently with the requirement and the interpretation of TP, paragraph 3.4.



**SC  
191  
(cont)****Ref.**

- Annex 1 to resolution A.272(VIII).
- Australian AMSA Marine Orders Part 32, Appendix 17.
- ILO Code of Practice "Safety and Health in Dockwork" – Section 3.6 Access to Ship's Holds.

**SC  
191  
(cont)****Technical Provision, resolution MSC.158(78), paragraph 3.9.6**

3.9.6 Portable ladders more than 5 m long may only be utilized if fitted with a mechanical device to secure the upper end of the ladder.

**Interpretation**

A mechanical device such as hooks for securing at the upper end of a ladder is to be considered as an appropriate securing device if a movement fore/aft and sideways can be prevented at the upper end of the ladder.

**Technical Background**

Innovative design is to be accepted if it fits for the functional requirement with due consideration for safe use.

**SC  
191  
(cont)****Technical Provision, resolution MSC.158(78), paragraph 3.10 and 3.11**

3.10 For access through horizontal openings, hatches or manholes, the minimum clear opening shall not be less than 600 mm x 600 mm. When access to a cargo hold is arranged through the cargo hatch, the top of the ladder shall be placed as close as possible to the hatch coaming. Access hatch coamings having a height greater than 900 mm shall also have steps on the outside in conjunction with the ladder.

3.11 For access through vertical openings, or manholes, in swash bulkheads, floors, girders and web frames providing passage through the length and breadth of the space, the minimum opening shall be not less than 600 mm x 800 mm at a height of not more than 600 mm from the passage unless gratings or other foot holds are provided.

**Interpretation**

See interpretation for paragraphs 5.1 and 5.2 of SOLAS regulation II-1/3-6.

For access through vertical and horizontal openings within spaces, where the dimension of the bulkhead panel may hinder the cut out of an opening as required in 3.10 or 3.11, smaller dimensions of openings, particularly for the access within the double bottom, may be accepted by the Administration provided that it is demonstrated that an injured person can be removed from the space.

**SC  
191**  
(cont)

**Technical Provision, resolution MSC.158(78), paragraph 3.13.1**

3.13. For bulk carriers, access ladders to a cargo hold shall be:

.1 where the vertical distance between the upper surface of adjacent decks or between deck and the bottom of the cargo space is not more than 6 m, either a vertical ladder or an inclined ladder; and

**Interpretation**

Either a vertical or an inclined ladder or a combination of them may be used for access to a cargo hold where the vertical distance is 6 m or less from the deck to the bottom of the cargo hold.

**Table 1 – Means of access for oil tankers, resolution MSC.158(78), paragraph 1.1****1 Water ballast tanks, except those specified in the right column, and cargo oil tanks****Access to overhead structure**

1.1 For tanks of which the height is 6 m and over containing internal structures, permanent means of access shall be provided in accordance with .1 to .6:

**Interpretation**

1. Sub-paragraphs .1, .2 and .3 define access to underdeck structure, access to the uppermost sections of transverse webs and connection between these structures.
2. Sub-paragraphs .4, .5 and .6 define access to vertical structures only and are linked to the presence of transverse webs on longitudinal bulkheads.
3. If there are no underdeck structures (deck longitudinals and deck transverses) but there are vertical structures in the cargo tank supporting transverse and longitudinal bulkheads, access in accordance with sub-paragraphs from .1 through to .6 is to be provided for inspection of the upper parts of vertical structure on transverse and longitudinal bulkheads.
4. If there is no structure in the cargo tank, section 1.1 of Table 1 is not to be applied.
5. Section 1 of Table 1 is also to be applied to void spaces in cargo area, comparable in volume to spaces covered by the regulation II-1/3-6, except those spaces covered by Section 2.
6. The vertical distance below the overhead structure is to be measured from the underside of the main deck plating to the top of the platform of the means of access at a given location.
7. The height of the tank is to be measured at each tank. For a tank the height of which varies at different bays, item 1.1 is to be applied to such bays of a tank that have height 6 m and over.

**Technical Background**

Interpretation 7: If the height of the tank is increasing along the length of a ship the permanent means of access is to be provided locally where the height is above 6 m.

**Ref.**

Paragraph 10 of the annex to MSC/Circ.686.

**SC  
191  
(cont)**

**Table 1 – Means of access for oil tankers, resolution MSC.158(78), paragraph 1.1.2**

1.1.2 at least one continuous longitudinal permanent means of access at each side of the tank. One of these accesses shall be at a minimum of 1.6 m to a maximum of 6 m below the deck head and the other shall be at a minimum of 1.6 m to a maximum of 3 m below the deck head;

**Interpretation**

There is need to provide continuous longitudinal permanent means of access when the deck longitudinals and deck transverses are fitted on deck but supporting brackets are fitted under the deck.

**Table 1 – Means of access for oil tankers, resolution MSC.158(78), paragraph 1.1.3**

1.1.3 access between the arrangements specified in .1 and .2 and from the main deck to either .1 or .2.

**Interpretation**

Means of access to tanks may be used for access to the permanent means of access for inspection.

**Technical Background**

As a matter of principle, in such a case where the means of access can be utilised for the purpose of accessing structural members for inspection there is no need of duplicated installation of the MA.

**Table 1 – Means of access for oil tankers, resolution MSC.158(78), paragraph 1.1.4**

1.1.4 continuous longitudinal permanent means of access which are integrated in the structural member on the stiffened surface of a longitudinal bulkhead, in alignment, where possible, with horizontal girders of transverse bulkheads are to be provided for access to the transverse webs unless permanent fittings are installed at the uppermost platform for use of alternative means as defined in paragraph 3.9 of the Technical provisions for inspection at intermediate heights;

**Interpretation**

The permanent fittings required to serve alternative means of access such as wire lift platform, that are to be used by crew and surveyors for inspection shall provide at least an equal level of safety as the permanent means of access stated by the same paragraph. These means of access shall be carried on board the ship and be readily available for use without filling of water in the tank.

Therefore, rafting is not to be acceptable under this provision.

Alternative means of access are to be part of Access Manual which is to be approved on behalf of the flag State.

For water ballast tanks of 5 m or more in width, such as on an ore carrier, side shell plating shall be considered in the same way as “longitudinal bulkhead”.



**Table 1 – Means of access for oil tankers, resolution MSC.158(78), paragraph 2.1****2 Water ballast wing tanks of less than 5 m width forming double side spaces and their bilge hopper sections*****Access to the underdeck structure***

2.1 For double side spaces above the upper knuckle point of the bilge hopper sections, permanent means of access are to be provided in accordance with .1 and .2:

**Interpretation**

Section 2 of Table 1 is also to be applied to wing tanks designed as void spaces.

Paragraph 2.1.1 represents requirements for access to underdeck structures, while paragraph 2.1.2 is a requirement for access for survey and inspection of vertical structures on longitudinal bulkheads (transverse webs).

**Technical Background**

Regulation II-1/3-6.2.1 requires each space to be provided with means of access. Though void spaces are not addressed in the technical provisions contained in resolution MSC.158(78) it is arguable whether MA is not required in void spaces. MA or portable means of access are necessary arrangement to facilitate inspection of the structural condition of the space and the boundary structure. Therefore the requirements of Section 2 of Table 1 is to be applied to double hull spaces even designed as void spaces.

**Table 1 – Means of access for oil tankers, resolution MSC.158(78), paragraph 2.1.1****2. Wing water ballast tanks less than 5 m width forming double side spaces and their bilge hopper sections*****Access to the underdeck structure***

2.1.1 Where the vertical distance between horizontal uppermost stringer and deck head is 6 m or more, one continuous permanent means of access shall be provided for the full length of the tank with a means to allow passing through transverse webs installed a minimum of 1.6 m to a maximum of 3 m below the deck head with a vertical access ladder at each end of tank;

**Interpretation**

1. For a tank, the vertical distance between horizontal upper stringer and deck head of which varies at different sections, item 2.1.1 is to be applied to such sections that falls under the criteria.
2. The continuous permanent means of access may be a wide longitudinal, which provides access to critical details on the opposite side by means of platforms as necessary on web frames. In case the vertical opening of the web frame is located in way of the open part between the wide longitudinal and the longitudinal on the opposite side, platforms shall be provided on both sides of the web frames to allow safe passage through the web frame.
3. Where two access hatches are required by SOLAS regulation II-1/3-6.3.2, access ladders at each end of the tank are to lead to the deck.

**Technical Background**

Interpretation 1: The interpretation of varied tank height in item 1 of Table 1 is applied to the vertical distance between horizontal upper stringer and deck head for consistency.

**Table 1 – Means of access for oil tankers, resolution MSC.158(78), paragraph 2.1.2**

2.1.2 continuous longitudinal permanent means of access, which are integrated in the structure, at a vertical distance not exceeding 6 m apart; and

**Interpretation**

The continuous permanent means of access may be a wide longitudinal, which provides access to critical details on the opposite side by means of platforms as necessary on webframes. In case the vertical opening of the web is located in way of the open part between the wide longitudinal and the longitudinal on the opposite side, platforms shall be provided on both sides of the web to allow safe passage through the web.

A “reasonable deviation”, as noted in TP, paragraph 1.4, of not more than 10% may be applied where the permanent means of access is integral with the structure itself.

**Table 1 – Means of access for oil tankers, resolution MSC.158(78), paragraph 2.2**

2.2 For bilge hopper sections of which the vertical distance from the tank bottom to the upper knuckle point is 6 m and over, one longitudinal permanent means of access shall be provided for the full length of the tank. It shall be accessible by vertical permanent means of access at both ends of the tank.

**Interpretation**

1. Permanent means of access between the longitudinal continuous permanent means of access and the bottom of the space is to be provided.
2. The height of a bilge hopper tank located outside of the parallel part of vessel is to be taken as the maximum of the clear vertical distance measured from the bottom plating to the hopper plating of the tank.
3. The foremost and aftmost bilge hopper ballast tanks with raised bottom, of which the height is 6 m and over, a combination of transverse and vertical MA for access to the upper knuckle point for each transverse web is to be accepted in place of the longitudinal permanent means of access.

**Technical Background**

Interpretation 2: The bilge hopper tanks at fore and aft of cargo area narrow due to raised bottom plating and the actual vertical distance from the bottom of the tank to hopper plating of the tank is more appropriate to judge if a portable means of access could be utilized for the purpose.

Interpretation 3: in the foremost or aftmost bilge hopper tanks where the vertical distance is 6 m or over but installation of longitudinal permanent means of access is not practicable permanent means of access of combination of transverse and vertical ladders provides an alternative means of access to the upper knuckle point.

**Table 2 – Means of access for bulk carriers, resolution MSC.158(78), paragraph 1.1****1 Cargo holds*****Access to underdeck structure***

1.1 Permanent means of access shall be fitted to provide access to the overhead structure at both sides of the cross deck and in the vicinity of the centreline. Each means of access shall be accessible from the cargo hold access or directly from the main deck and installed at a minimum of 1.6 m to a maximum of 3 m below the deck.

**Interpretation**

1. Means of access shall be provided to the crossdeck structures of the foremost and aftermost part of the each cargo hold.
2. Interconnected means of access under the cross deck for access to three locations at both sides and in the vicinity of the centerline is to be acceptable as the three means of access.
3. Permanent means of access fitted at three separate locations accessible independently, one at each side and one in the vicinity of the centerline is to be acceptable.
4. Special attention is to be paid to the structural strength where any access opening is provided in the main deck or cross deck.
5. The requirements for bulk carrier cross deck structure is also to be considered applicable to ore carriers.

**Technical Background**

Pragmatic arrangements of the MA are provided.

**SC  
191  
(cont)**

**Table 2 – Means of access for bulk carriers, resolution MSC.158(78), paragraph 1.3**

1.3 Access to the permanent means of access to overhead structure of the cross deck may also be via the upper stool.

**Interpretation**

Particular attention is to be paid to preserve the structural strength in way of access opening provided in the main deck or cross deck.

**SC  
191  
(cont)**

**Table 2 – Means of access for bulk carriers, resolution MSC.158(78), paragraph 1.4**

1.4 Ships having transverse bulkheads with full upper stools with access from the main deck which allows monitoring of all framing and plates from inside, do not require permanent means of access of the cross deck.

**Interpretation**

“Full upper stools” are understood to be stools with a full extension between top side tanks and between hatch end beams.

**Table 2 – Means of access for bulk carriers, resolution MSC.158(78), paragraph 1.5**

1.5 Alternatively, movable means of access may be utilized for access to the overhead structure of cross deck if its vertical distance is 17 m or less above the tank top.

**Interpretation**

1. The movable means of access to the underdeck structure of cross deck need not necessarily be carried on board the vessel. It is sufficient if it is made available when needed.
2. The requirements for bulk carrier cross deck structure is also to be considered applicable to ore carriers.



**Table 2 – Means of access for bulk carriers, resolution MSC.158(78), paragraph 1.6*****Access to vertical structures***

1.6 Permanent means of vertical access shall be provided in all cargo holds and built into the structure to allow for an inspection of a minimum of 25 % of the total number of hold frames port and starboard equally distributed throughout the hold including at each end in way of transverse bulkheads. But in no circumstance shall this arrangement be less than 3 permanent means of vertical access fitted to each side (fore and aft ends of hold and mid-span). Permanent means of vertical access fitted between two adjacent hold frames is counted for an access for the inspection of both hold frames. A means of portable access may be used to gain access over the sloping plating of lower hopper ballast tanks.

**Interpretation**

The maximum vertical distance of the rungs of vertical ladders for access to hold frames is to be 350 mm.

If safety harness is to be used, means are to be provided for connecting the safety harness in suitable places in a practical way.

**Technical Background**

The maximum vertical distance of the rungs of 350 mm is applied with a view to reducing trapping cargoes.

**SC  
191  
(cont)**

**Table 2 – Means of access for bulk carriers, resolution MSC.158(78), paragraph 1.7**

1.7 In addition, portable or movable means of access shall be utilized for access to the remaining hold frames up to their upper brackets and transverse bulkheads.

**Interpretation**

Portable, movable or alternative means of access also is to be applied to corrugated bulkheads.

**SC  
191**  
(cont)

**Table 2 – Means of access for bulk carriers, resolution MSC.158(78), paragraph 1.8**

1.8 Portable or movable means of access may be utilized for access to hold frames up to their upper bracket in place of the permanent means required in 1.6. These means of access shall be carried on board the ship and readily available for use.

**Interpretation**

Readily available means:-

Able to be transported to location in cargo hold and safely erected by ship's staff.

**SC  
191  
(cont)**

**Table 2 – Means of access for bulk carriers, resolution MSC.158(78), paragraph 2.3**

2.3 Three permanent means of access, fitted at the end bay and middle bay of each tank, shall be provided spanning from tank base up to the intersection of the sloping plate with the hatch side girder. The existing longitudinal structure may be used as part of this means of access.

**Interpretation**

If the longitudinal structures on the sloping plate are fitted outside of the tank a means of access is to be provided.

**Table 2 – Means of access for bulk carriers, resolution MSC.158(78), paragraph 2.5*****Bilge hopper tanks***

2.5 For each bilge hopper tank of which the height is 6 m and over, one longitudinal continuous permanent means of access shall be provided along the side shell webs and installed at a minimum of 1.2 m below the top of the clear opening of the web ring with a vertical access ladder in the vicinity of each access to the tank.

**Interpretation**

1. The height of a bilge hopper tank located outside of the parallel part of vessel is to be taken as the maximum of the clear vertical height measured from the bottom plating to the hopper plating of the tank.
2. It is to be demonstrated that portable means for inspection can be deployed and made readily available in the areas where needed.

**Table 2 – Means of access for bulk carriers, resolution MSC.158(78), paragraph 2.5.2*****Bilge hopper tanks***

2.5.2 Alternatively, the longitudinal continuous permanent means of access can be located through the upper web plating above the clear opening of the web ring, at a minimum of 1.6 m below the deck head, when this arrangement facilitates more suitable inspection of identified structurally critical areas. An enlarged longitudinal frame can be used for the purpose of the walkway.

**Interpretation**

A wide longitudinal frame of at least 600 mm clear width may be used for the purpose of the longitudinal continuous permanent means of access. The foremost and aftermost bilge hopper ballast tanks with raised bottom, of which the height is 6 m and over, a combination of transverse and vertical MA for access to the sloping plate of hopper tank connection with side shell plating for each transverse web can be accepted in place of the longitudinal permanent means of access.

**Table 2 – Means of access for bulk carriers, resolution MSC.158(78), paragraph 2.6**

2.6 If no access holes are provided through the transverse ring webs within 600 mm of the tank base and the web frame rings have a web height greater than 1 m in way of side shell and sloping plating, then step rungs/grab rails shall be provided to allow safe access over each transverse web frame ring.

**Interpretation**

The height of web frame rings is to be measured in way of side shell and tank base.

**Technical Background**

In the bilge hopper tank the sloping plating is above the opening, while the movement of the surveyor is along the bottom of the tank. Therefore the measurement of 1 m is to be taken from the bottom of the tank.

End of Document
--------------------

## УНИФИЦИРОВАННЫЕ ИНТЕРПРЕТАЦИИ МАКО (UI) SC 191

по применению измененного правила II-1/3-6 СОЛАС (резолюция MSC.151 (78) и пересмотренных Технических положений о средствах доступа для осмотров (резолюция MSC.158 (78))

(ноябрь 2004) (Ред.  
1, май 2005) (Ред. 2,  
октябрь 2005) (Изм.,  
декабрь 2005)  
(Ред. 3, март 2006)  
(Ред. 4, сентябрь 2011)

### Примечание:

1. Настоящая унифицированная интерпретация должна применяться с 1 января 2005 года членами МАКО и ассоциированными членами, действующими как признанные организации, уполномоченные администрациями государства флага выступать от их имени, если не рекомендуется иное.



2. Редакция 1 (май 2005) ввела новое Приложение к UI SC 191. Редакция 1 должна применяться членами МАКО и ассоциированными членами с 1 июля 2005 года.

3. Редакция 2 (октябрь 2005) изменила категорию Приложения к UI SC 191 на Рекомендацию № 91.

Редакция 2 (октябрь 2005 / Изменение, декабрь 2005) должна применяться членами МАКО и ассоциированными членами к судам, контракт на постройку которых заключен 1 мая 2006 года или после этой даты.

См. IMO MSC/Circ. 1176.

4. Дата «контракта на постройку», означает дату, на которую подписан контракт на постройку судна между будущим судовладельцем и судостроителем. Более подробную информацию относительно даты «контракта на постройку» - см. Процедурное требование МАКО № 29.

5. Редакция 3 должна применяться членами МАКО и ассоциированными членами с 1 октября 2006 года.

6. Редакция 4 должна применяться членами МАКО к судам, контракт на постройку которых заключен с 1 июля 2012 г.

## **Правило СОЛАС II-1/3-6, раздел 1**

### **1. Применение**

1.1 За исключением предусмотренного в параграфе 1.2, данное правило применяется к нефтеналивным судам валовой вместимостью 500 и более и навалочным судам, определенным в правиле IX/1, валовой вместимостью 20000 и более, построенным 1 января 2006 года или после этой даты.

1.2 Нефтеналивные суда валовой вместимостью 500 и более, построенные 1 октября 1994 года или после этой даты, но до 1 января 2005 года, должны отвечать положениям правила II-1/12-2, принятого резолюцией MSC. 27(61).

### **Интерпретация**

#### **Нефтеналивные суда**

Это правило применяется исключительно к нефтеналивным судам, имеющим встроенные танки для перевозки нефти наливом согласно определению нефти в Приложении 1 к МАРПОЛ 73/78. Вкладные танки могут быть исключены

Правило II-1/3-6 обычно не применяется к FPSO или FSO, если Администрация не решит иное.

## **Техническое обоснование**

Средства доступа, предусмотренные в Технических положениях, содержащихся в резолюции MSC.158(78), не являются специальными в отношении применения к встроенным грузовым танкам, а также вкладным грузовым танкам. Требования ESP к нефтеналивным судам установлены, исходя из предположения, что танки, подлежащие осмотру, являются встроенными грузовыми танками. Средства доступа, требуемые согласно правилу СОЛАС II-1/3-6 к полной и детальной проверкам, определяются в правиле IX/1. Следовательно, предполагается, что грузовые танки, подлежащие осмотру - это те, которые подпадают под действие ESP, то есть встроенные грузовые танки.

Правило II-1/3-6 применяется к FPSO или FSO, если они подпадают под действие ESP согласно резолюции A.744(18) с поправками.

См.

Правило СОЛАС IX/1 и резолюция A.744(18) с поправками.

### **Правило СОЛАС II-1/3-6, параграф 2.1**

2.1 Каждое помещение должно оборудоваться постоянным средством доступа, позволяющим в течение всего срока эксплуатации судна проведение полных и детальных осмотров и замеров толщин конструкций судна Администрацией, компанией, как определено в правиле IX/1, персоналом судна и другими, при необходимости. Такое средство доступа должно отвечать требованиям пункта

5 и Техническим требованиям к средствам доступа для осмотров, принятым Комитетом по безопасности на море резолюцией MSC.133(76) с возможными поправками Организации, при условии, что такие поправки принимаются, вступают в силу и действуют в соответствии с положениями статьи VIII настоящей Конвенции, касающимися процедур принятия поправок, применимых к Приложению, за исключением главы 1.

#### **Интерпретация**

Каждое помещение, для которого не требуется проведение детального осмотра, такое как топливные танки и пустые пространства в нос от района грузовых танков, может быть оборудовано средством доступа, необходимым для полного освидетельствования для составления отчета об общем состоянии корпуса судна.

#### **Правило СОЛАС II-1/3-6, параграф 2.2**

2.2 Если постоянные средства доступа могут быть повреждены в ходе обычных грузовых операций, или нецелесообразно оборудовать постоянные средства доступа, Администрация может вместо постоянного средства доступа допустить использование передвижного или переносного средства согласно Техническим положениям, при условии, что средства крепления, установки, подвешивания или поддержки этих переносных средств доступа образуют постоянную часть корпуса судна. Все переносное оборудование должно легко устанавливаться или задействоваться судовым персоналом.

## **Интерпретация**

Некоторые возможные альтернативные средства доступа перечисляются в параграфе 3.9 Технических положений о средствах доступа для осмотров. Всегда, при условии, что они одобрены Администрацией как равноценные, такие альтернативные средства, как неуправляемый манипулятор робота или дистанционно управляемый аппарат и управляемые аппараты, оборудованные постоянными средствами доступа для полного и детального осмотров и замеров толщин подпалубной конструкции, например, рамных бимсов и продольных подпалубных элементов грузовых и балластных танков, должны обеспечивать:

- безопасную работу в незаполненном объеме дегазированной окружающей среды;
- попадание на место непосредственно со средства доступа с палубы.

При рассмотрении использования альтернативных средств доступа, предусмотренных в параграфе 3.9 Технических положений, см. Рекомендацию МАКО № 91 «Руководство по одобрению альтернативных средств доступа».

## **Техническое обоснование**

Новые методы, в частности применение робота в районе подвесных проходов, приветствуются, и считается целесообразным разработать функциональное требование в отношении нового метода.

## **Правило СОЛАС II-1/3-6, параграф 2.3**

2.3 Конструкция и материалы всех средств доступа и устройств их крепления к корпусу судна, должны удовлетворять требованиям Администрации. Средства доступа подлежат освидетельствованию до использования или во время использования при освидетельствованиях, проводимых в соответствии с правилом I/10.

### **Интерпретация**

#### **Проверка**

Устройства средств доступа, включая съемное оборудование и крепления, должны периодически проверяться экипажем или компетентными инспекторами, когда, предполагается их использование, для того, чтобы подтвердить, что средства доступа остаются годными к эксплуатации.

#### **Процедуры**

1. Каждое уполномоченное лицо компании, использующее средства доступа, должно выступать в роли инспектора и проверять наличие явной неисправности перед использованием средств доступа. При использовании средств доступа инспектор должен проверить состояние используемых частей посредством детального осмотра для установления наличия износа. В случае обнаружения какого-либо повреждения или износа, необходимо определить, будут ли они иметь отрицательное влияние на безопасность при дальнейшем использовании средства

доступа. Обнаруженный износ, который может отрицательно повлиять на безопасность, должен определяться как «значительное повреждение», и должны быть приняты меры, чтобы поврежденная(ые) часть(и) не использовалась(ись) до проведения ремонта.

2. Конвенционное освидетельствование каждого помещения, которое имеет средства доступа, должно включать проверку непрерывной эффективности средств доступа в этом помещении. Освидетельствование средств доступа не должно превосходить по объему проводимое освидетельствование. Если средство доступа найдено не соответствующим требованиям, объем освидетельствования должен быть увеличен, если это считается необходимым.

3. Отчеты обо всех осмотрах должны составляться, исходя из требований Системы управления безопасностью судна. Эти отчеты должны немедленно предъявляться должностным лицам, использующим средства доступа, и копия должна прилагаться к Наставлению по средствам доступа. Самый последний отчет об осмотре части средств доступа должен, как минимум, содержать дату осмотра, фамилию и должность инспектора, подтверждающую подпись, части проверяемых средств доступа, проверку годности к дальнейшей эксплуатации или подробную информацию об обнаруженных износе или значительном повреждении. Файл предоставленных разрешений должен вестись для проверки.

## **Техническое обоснование**

Признается, что средства доступа могут подвергаться износу продолжительное время вследствие воздействия коррозионной среды и внешних сил от движения судна и ударов жидкости о стенки танка. Следовательно, средство доступа должно осматриваться при каждом входе в танк/помещение. Данная интерпретация должна быть включена в раздел Наставления по средствам доступа.

### **Правило СОЛАС II-1/3-6, параграф 3.1**

#### **3 Безопасный доступ в грузовые трюмы, грузовые и балластные танки, иные помещения**

3.1 Безопасный доступ \* в грузовые трюмы, коффердамы, балластные танки, грузовые танки и другие помещения района грузовых танков должен быть непосредственно с открытой палубы и таким, чтобы обеспечивать в полном объеме осмотр этих помещений. Безопасный доступ в помещения двойного дна или в носовые балластные танки может быть через насосное помещение, глубокий коффердам, туннель для трубопроводов, грузовой трюм, помещение двойного корпуса или подобный отсек, который не предназначен для перевозки нефти или опасных грузов.

\* См. резолюцию ИМО А.864(20) - «Рекомендации по входу в закрытые помещения на судах».



## **Интерпретация**

Доступ в помещения двойного борта навалочных судов может быть или из подпалубного бортового танка, или танка двойного дна, или из обонх.

### **Техническое обоснование**

Если помещение двойного борта не используется для других целей, то оно должно быть сконструировано как часть большого U-образного балластного танка, и в такое помещение должен быть доступ через смежную часть танка, т. е. подпалубный танк или танк двойного дна/скуловой танк. Доступ в помещение двойного борта из смежной части предпочтительнее, чем с открытой палубы. Любое такое устройство должно обеспечивать непосредственно проложенное, логичное и безопасное средство доступа, которое обеспечивает быструю эвакуацию из этого помещения.

### **Правило СОЛАС II-1/3-6, параграф 3.2**

3.2 Танки и отсеки танков длиной 35 м и более оборудуются, по меньшей мере, двумя люками и трапами для доступа, расположенными как можно дальше друг от друга. Танки длиной менее 35 м оборудуются, по меньшей мере, одним люком и трапом для доступа. Если танк разделен одной или более отбойными переборками или подобными конструкциями, которые препятствуют доступу в другие части танка, он оборудуется, по меньшей мере, двумя люками и трапами для доступа.

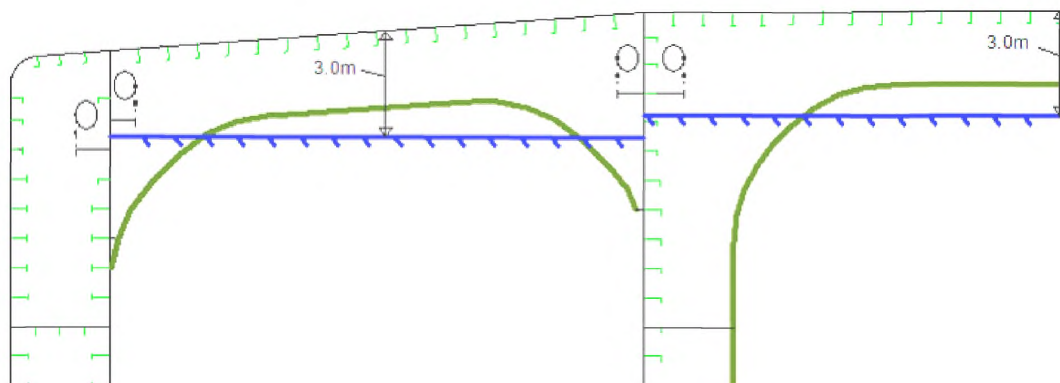
## Интерпретация

Для грузового танка длиной меньше 35 м без отбойной переборки требуется только один люк для доступа.

Когда в Наставлении по доступу к конструкциям корпуса судна предусматривается использование плотов как средства доступа к подпалубной конструкции, термин «*подобные конструкции*», примененный в этом правиле, включает внутренние конструкции (например, рамные стойки высотой > 1,5 м), которые ограничивают доступ на плоту (при максимальном уровне воды, необходимой для прохождения на плоту к подпалубной конструкции) непосредственно к ближайшему трапу для доступа и люку на палубу. Когда согласно условиям, указанным в резолюции А.744(18), в качестве альтернативных средств доступа предусматриваются исключительно плоты и шлюпки, то должны быть обеспечены постоянные средства доступа, позволяющие безопасный вход и выход. Это означает:

- a) доступ непосредственно с палубы по вертикальному трапу и небольшую площадку, установленную приблизительно на 2 м ниже палубы на каждом пролете; или
- b) доступ на палубу с продольной постоянной площадки, имеющей трапы на палубу в каждой оконечности танка. По всей длине танка площадка должна устанавливаться на уровне или выше максимального уровня воды, необходимого для прохождения на плоту к подпалубной конструкции. Для этой цели незаполненная часть танка, соответствующая максимальному уровню воды, должна предполагаться равной не более 3 м от обшивки палубы, измеренная в средней части пролета рамных бимсов и в середине длины танка. (См. рис. ниже). Постоянное средство доступа с продольной постоянной площадки до уровня воды, указанного выше, должно быть установлено на каждом

пролете (например, постоянные перекладки на одном из палубных бимсов, внутри от постоянной продольной площадки).



#### **Правило СОЛАС II-1/3-6, параграф 4.1**

4 Наставление по доступу к конструкциям корпуса судна

4.1 Судовое средство доступа для проведения полных и детальных осмотров и замеров толщин металла должно быть описано в одобренном Администрацией Наставлении по доступу к

конструкциям корпуса судна, актуализированный экземпляр которого должен находиться на борту судна. Для каждого помещения Наставление по доступу к конструкциям судна должно включать следующее:

- .1 схемы, показывающие средства доступа в помещение с соответствующими техническими спецификациями и размерениями;
- .2 схемы, показывающие средства доступа внутри каждого помещения для проведения полного осмотра с соответствующими техническими спецификациями и размерениями. Схемы должны указывать места, откуда можно осмотреть каждый район помещения;
- .3 схемы, показывающие средства доступа внутри помещения для проведения детальных осмотров с соответствующими техническими спецификациями и размерениями. Схемы должны указывать наиболее уязвимые места конструкции, являются ли средства доступа постоянными или переносными, а также места, откуда можно осмотреть каждый район помещения;
- .4 инструкции по осмотрам и поддержанию конструктивной прочности всех средств доступа и средств их крепления, принимая во внимание коррозионную атмосферу, которая может быть в помещении;
- .5 инструкции по технике безопасности по использованию плотов при детальных осмотрах и замерах толщин;
- .6 инструкции по установке и безопасному использованию любого переносного средства доступа;
- .7 перечень всех переносных средств доступа; и

.8 отчеты о периодических осмотрах и техническом обслуживании судовых средств доступа.

## **Интерпретация**

Наставление по средствам доступа должно относиться к помещениям, перечисленным в параграфе 3 правила II-1/3-6.

Как минимум, должна быть в наличии английская версия.

Наставление по доступу к конструкциям корпуса судна должно, по меньшей мере, включать следующие две части:

Часть 1: Схемы, инструкции и перечень, требуемые параграфами 4.1.1 - 4.1.7 правила II-1/3-6. Эта часть должна быть одобрена Администрацией или организацией, признанной Администрацией.

Часть 2: Форма отчета об осмотрах и техническом обслуживании, и изменения в перечне переносного оборудования вследствие дополнений или замен после постройки. Эта часть должна быть одобрена в отношении своей формы только при постройке нового судна.

Следующие вопросы должны входить в Наставление по доступу к конструкциям корпуса судна:

1. Наставление по средствам доступа должно четко охватывать сферу, указанную в правилах для пользования экипажами, сюрвейерами и офицерами портового контроля.

2. Процедура одобрения/переодобрения Наставления, т. е. любые изменения постоянных, переносных, передвижных или альтернативных средств доступа в пределах сферы действия данного правила и Технических положений подлежат анализу и одобрению Администрацией или организацией, признанной Администрацией.
3. Проверка средств доступа должна быть частью освидетельствования безопасности конструкции для дальнейшего эффективного использования средства доступа в этом помещении, которое подлежит конвенционному освидетельствованию.
4. Осмотр средств доступа экипажем и/или компетентным инспектором компании как часть регулярного осмотра и технического обслуживания (см. интерпретацию параграфа 2.3, Правило СОЛАС II-1/3-6).
5. Действия, которые должны быть предприняты, если средство доступа не будет признано безопасным для использования.
6. В случае использования схем переносного оборудования, показывающих средства доступа внутри каждого помещения, с указанием, откуда и каким образом каждый район помещения может быть осмотрен.

См. Рекомендацию МАКО № 90 «Наставление по доступу к конструкциям корпуса судна».

## **Правило СОЛАС II-1/3-6, параграф 4.2**

Для целей настоящего правила «наиболее уязвимыми местами конструкции» являются места, которые выявлены расчетами как требующие контроля или по опыту эксплуатации подобных судов или судов такой же серии как подверженные трещинам, короблению, деформации или коррозии, которые могут нарушить конструктивную целостность судна.

### **Интерпретация**

1) Наиболее уязвимые места конструкции должны быть выявлены передовыми методами расчета конструктивной прочности и усталостной характеристики, если имеется, а также исходя из опыта эксплуатации и разработки проекта подобных судов или судов такой же серии.

2) Должна быть сделана ссылка на следующие публикации по наиболее уязвимым местам конструкции, где применимо:

- Нефтеналивные суда: Наставление TSCF по конструкциям танкеров;
- Навалочные суда: Руководство МАКО по освидетельствованиям, оценке и ремонту корпусных конструкций;
- Нефтеналивные и навалочные суда: резолюция А.744 (18), с поправками.

### **Техническое обоснование**

Данные документы содержат соответствующую информацию по существующим типам судов. Однако выявление наиболее уязвимых мест конструкции новых танкеров с двойным корпусом и навалочных судов с двойными бортами улучшенного проекта должно быть проведено посредством

конструктивного анализа на стадии проектирования, эта информация должна быть принята во внимание для обеспечения соответствующей оценки всех выявленных наиболее уязвимых мест конструкции.

## **Правило СОЛАС II-1/3-6, параграф 5.1**

### **5 Общие технические спецификации**

5.1 Для доступа через горизонтальные отверстия, люки или горловины их размеры должны быть достаточными, чтобы вверх или вниз по трапу беспрепятственно прошел человек с автономным дыхательным аппаратом и защитным снаряжением, а также чтобы через отверстие можно было бы поднять пострадавшего со дна соответствующего помещения. Минимальный размер отверстия должен составлять не менее 600 мм x 600 мм. Когда доступ в грузовой трюм устроен через грузовой люк, верхний конец трапа должен находиться как можно ближе к комингсу люка. У комингсов люков для доступа высотой более 900 мм, должны иметься ступеньки с внешней стороны в том же месте, где находится трап.

### **Интерпретация**

Минимальный размер отверстия 600 мм x 600 мм может иметь угловой радиус до 100 мм максимум. Размер отверстия предусматривается в MSC/Circ.686, чтобы через отверстие мог проходить персонал с автономным дыхательным аппаратом. В случае, когда вследствие конструктивного анализа данного проекта требуется уменьшить напряжение вокруг отверстия, соответствующей мерой для уменьшения напряжения считается увеличение отверстия с



увеличением радиуса, например, 600 x 800 мм с радиусом 300 мм, где достаточен размер отверстия 600 x 600 мм с угловым радиусом максимум 100 мм.

#### **Техническое обоснование**

Эта интерпретация основана на принятом Руководстве в MSC/Circ. 686.

См. Параграф 9 Приложения MSC/Circ. 686.

#### **Правило СОЛАС II-1/3-6, параграф 5.2**

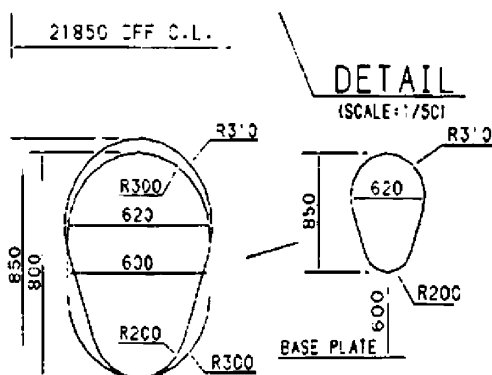
5.2 Для доступа через вертикальные отверстия или горловины в отбойных переборках, флорах, балках и рамных шпангоутах, обеспечивающих проход по длине и ширине помещения, минимальный размер отверстия должен быть не менее 600 x 800 мм на высоте не более 600 мм от наружной обшивки днища, если только не предусмотрены решетчатые настилы или иные опоры для ног.

#### **Интерпретация**

1. Минимальный размер отверстия на менее 600 мм x 800 мм может также включать отверстие с угловым радиусом 300 мм. Отверстие 600 мм высотой x 800 мм шириной может также быть принято в качестве отверстия для доступа в вертикальных конструкциях, когда нежелательно

предусматривать большое отверстие в связи с конструктивной прочностью, то есть балках и флорах танков двойного дна.

2. При условии проверки легкости эвакуации пострадавшего на носилках рассматривается вертикальное отверстие 850 мм x 620 мм с шириной верхней половины больше 600 мм, а нижней половины меньше 600 мм общей высотой не менее 850 мм в качестве приемлемой альтернативы для традиционного отверстия размером 600 мм x 800 мм с угловым радиусом 300 мм.



1. 21850 общая длина
2. Деталь (масштаб 1/50)
3. Опорная плита

4. P 200

5. P 300

3. Если вертикальное отверстие расположено на высоте более 600 мм, должны предусматриваться ступени и захваты для рук. При этом необходимо продемонстрировать, что пострадавшего можно легко эвакуировать.

#### **Техническое обоснование**

Интерпретация основана на принятом Руководстве в MSC/Circ.686, и для легкого доступа людей через это отверстие рассматривается новый проект.



## **Технические положения, резолюция MSC.158(78), параграф 1.3**

### **1. Преамбула**

1.3 Для решения данного вопроса Организация разработала настоящие Технические положения о средствах доступа для осмотров (далее - Технические положения) для обеспечения детальных проверок и замеров толщин конструкции судна согласно правилу II-1/3-6 Конвенции СОЛАС о доступе в помещения и внутри помещений района грузовых танков и в нос от него нефтеналивных и навалочных судов. Технические положения не применяются к грузовым танкам комбинированных химвозов/нефтеналивных судов, отвечающих требованиям Кодекса ИВС.

### **Интерпретация**

«Комбинированные химвозы/нефтеналивные суда, отвечающие требованиям Кодекса ИВС» - танкеры, которые имеют и действующее Свидетельство ЮОП как танкер, и действующее Свидетельство о пригодности для перевозки опасных химических грузов наливом, то есть танкеры, которые допущены к перевозке и нефтяных грузов согласно Приложению I МАРПОЛ, и химических грузов согласно главе 17 Кодекса ИВС как при полной загрузке, так и при частичной загрузке.

Технические положения должны применяться к балластным танкам комбинированных химвозов/нефтеналивных судов, отвечающим требованиям Кодекса ИВС.

## **Технические положения, резолюция MSC.158(78), параграф 1.4**

### **1. Преамбула**

1.4 Постоянные средства доступа, спроектированные как часть самой конструкции, предпочтительнее, и администрации могут допускать разумные отступления, чтобы способствовать таким проектам.

### **Интерпретация**

В контексте указанного выше требования отступление должно применяться только к расстояниям между постоянными средствами доступа, встроенными в конструкцию, которые являются предметом параграфа 2.1.2 Таблицы 1.

Отступления не должны применяться к расстояниям, обуславливающим установку подпалубных продольных проходов и размерам, которые определяют необходимость постоянного доступа, таким как высота помещений и высота элементов данной конструкции (например, распорок).

## **Технические положения, резолюция MSC.158(78), параграф 1.3**

3.1 Конструктивные элементы, подлежащие детальным проверкам и замерам толщин конструкции судна, указанные в правиле II-1/3-6 Конвенции СОЛАС, за исключением тех, которые находятся в помещениях двойного дна, должны быть оборудованы постоянными средствами доступа в объеме, указанном в Таблицах 1 и 2 соответственно. Для нефтеналивных судов и бортовых балластных танков рудовозов могут использоваться одобренные

альтернативные методы в сочетании с постоянными средствами доступа, при условии, что конструкция позволяет их безопасное и эффективное использование.

### **Интерпретация**

Постоянные средства доступа в помещение могут использоваться как постоянные средства доступа для осмотра.

### **Техническое обоснование**

Технические положения указывают средства доступа в помещение и к конструкции корпуса для проведения общих и детальных освидетельствований и осмотров. Требования к средствам доступа к конструкции корпуса не всегда могут применяться к средствам доступа в помещение. Однако если средство доступа в помещение может также использоваться для предполагаемых освидетельствований и осмотров, то такое средство доступа может использоваться как средство доступа для использования при освидетельствованиях и осмотрах.

### **Технические положения, резолюция MSC.158(78), параграф 3.3**

3.3 Если имеются подвесные проходы, являющиеся частью постоянных средств доступа, они должны иметь минимальную ширину 600 мм, кроме участков вокруг рамных стоек, где их минимальная ширина может быть уменьшена до 450 мм, а также быть оборудованы леерными ограждениями с открытой стороны по всей длине прохода. Наклонные конструкции, являющиеся частью средства доступа, должны быть нескользящими. Леерные ограждения должны быть высотой 1000 мм и состоять из поручня и промежуточной планки на высоте 500 мм прочной конструкции. Расстояние между стойками не должно превышать 3 м.

### **Интерпретация**

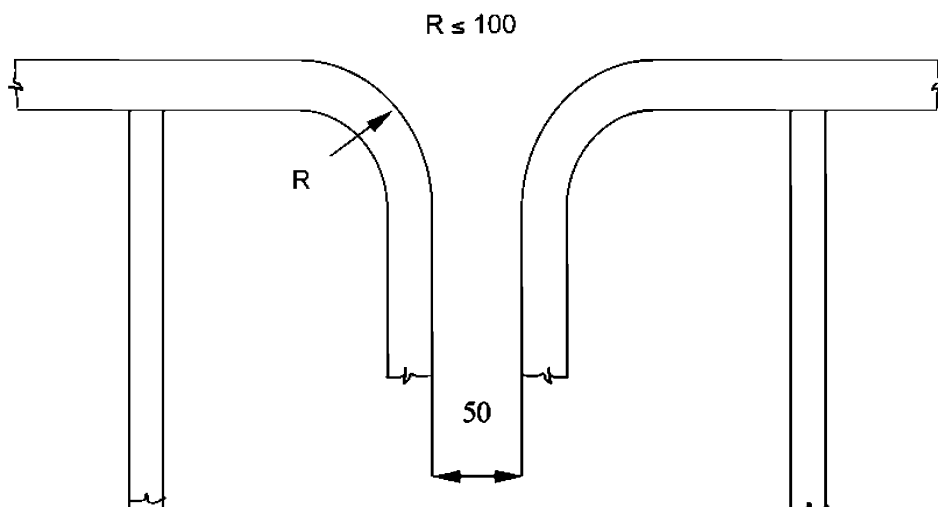
1. Наклонные конструкции представляют собой конструкции, которые наклонены на 5 градусов или более от горизонтальной плоскости, когда судно находится в прямом положении на ровном киле.
2. Леерные ограждения должны быть установлены на открытой стороне и должны составлять не менее 1 000 мм в высоту. Для отдельно расположенных проходов леерные ограждения должны устанавливаться по обеим сторонам этих конструкций. Стойки леерных ограждений должны соединяться с постоянными средствами доступа. Расстояние между проходом и промежуточной планкой, а также расстояние между промежуточной планкой и верхним поручнем должно составлять не более 500 мм.
3. Допускается установка прерывистых верхних поручней, при условии, что промежуток между ними не превышает 50 мм.

Такой же максимальный промежуток принимается между верхним поручнем и другими конструктивными элементами (например, переборка, шпангоут и т. д.).

Максимальное расстояние между соседними стойками в промежутке между поручнями, должно составлять 350 мм там, где верхний и средний поручни не соединены между собой, и 550 мм там, где они соединены вместе.

Максимальное расстояние между стойкой и другими конструктивными элементами не должно превышать 200 мм там, где верхний и средний поручни не соединены между собой, и 300 мм там, где они соединены вместе.

В случае если верхний поручень имеет радиус закругления и таким образом соединяется со средним поручнем, внешний радиус закругления поручня не должен превышать 100 мм (см. рисунок ниже).



4. Нескользящая поверхность конструкции, по которой проходит персонал, должна быть такой, чтобы обеспечивать достаточное трение подошв обуви, даже если поверхность мокрая и покрыта тонким слоем грязи.
5. Под «надежной конструкцией» понимается конструкция, которая обеспечивает прочность в соответствии с проектом в течение всего периода эксплуатации судна. Прочность проходов вместе с леерными ограждениями должна обеспечиваться начальной коррозионной защитой, осмотром и обслуживанием в процессе эксплуатации.
6. Для леерных ограждений использование альтернативных материалов, например стеклопластика, зависит от совместимости с теми жидкостями, которые перевозятся в танке. Для средств доступа в помещение должны использоваться огнестойкие материалы с целью обеспечения пути эвакуации при высокой температуре.
7. Требования к промежуточным площадкам для отдыха, расположенным между трапами равноценны тем, которые применяются к подвесным проходам.

См.

Параграф 10 Приложения к MSC/Circ. 686.

#### Технические положения, резолюция MSC.158(78), параграф 3.4

3.4 Доступ к постоянным средствам доступа и вертикальным отверстиям с днища судна должен обеспечиваться посредством легкодоступных проходов, трапов или ступеней. Ступени должны иметь боковые упоры для ног. Если перекладки трапа установлены напротив вертикальной поверхности, расстояние от центра перекладки до этой поверхности должно

составлять, по меньшей мере, 150 мм. Если вертикальные горловины находятся на высоте более 600 мм над уровнем прохода, доступ должен быть облегчен с помощью ступеней и захватов для рук, а также площадок с обеих сторон.

### **Интерпретация**

Если вертикальная горловина расположена на высоте более 600 мм над уровнем прохода, должно быть показано, что через него можно вынести пострадавшего.

### **Технические положения, резолюция MSC.158(78), параграф 3.5**

3.5 Постоянные наклонные трапы должны иметь наклон менее 70°. Не должно быть никаких выступающих частей в пределах 750 мм от внешней стороны наклонного трапа, однако около отверстия это пространство может быть уменьшено до 600 мм. Должны быть предусмотрены промежуточные площадки для отдыха достаточных размеров, обычно на расстоянии по вертикали не более 6 м. Трапы и поручни должны быть изготовлены из стали или равноценного материала достаточной прочности и жесткости и быть надежно прикреплены к конструкции с помощью опор. Способ крепления и длина опоры должны быть такими, чтобы снизить вибрацию до практически возможного минимального уровня. Трапы в грузовых трюмах должны быть спроектированы и расположены таким образом, чтобы снизить до минимума риск повреждения от грузоподъемных устройств.

### **Средства доступа для доступа в балластные танки, грузовые танки и помещения, кроме форпиковых танков:**

#### **На нефтеналивных судах:**

1. Танки и отсеки танков длиной 35 м или более с двумя люками для доступа:

Первый люк для доступа: Должен использоваться наклонный трап или трапы. Второй

люк для доступа:

- i. Может использоваться вертикальный трап. В таком случае если расстояние по вертикали более 6 м, вертикальные трапы должны включать одну или более соединительных площадок для трапов, разнесенных не более чем на 6 м по вертикали и смещенных к одной стороне трапа.

Самая верхняя часть вертикального трапа, измеренная от выступающих частей подволока в районе входа в танк, должна быть не менее 2,5 м, но не более 3,0 м, а также должна включать соединительную площадку, которая должна быть смещена в одну сторону от вертикального трапа. Однако расстояние по вертикали от самой верхней части вертикального трапа, измеренное от выступающих частей подволока в районе входа в танк, может быть уменьшено до 1,6 м, если этот трап располагается на продольных или поперечных постоянных средствах доступа, установленных в этих пределах; или

- ii. Если наклонный трап или комбинация трапов используется для доступа в помещение, самая верхняя часть трапа, измеренная от выступающих частей подволока в районе входа в танк, должна составлять по вертикали не менее 2,5 м, но не более 3,0 м, а также должна включать площадку, соединяющуюся с наклонным трапом. Однако расстояние по вертикали от самой верхней части



вертикального трапа, измеренное от выступающих частей подволока в районе входа в танк, может быть уменьшено до 1,6 м, если этот трап располагается на продольных или поперечных постоянных средствах доступа, установленных в этих пределах. Пролеты наклонных трапов обычно должны быть высотой не более 6 м по вертикали. Самая нижняя часть трапов может быть вертикальной на расстоянии, не превышающем 2,5 м.

2. Для танков длиной менее 35 м, имеющих один люк для доступа, должны использоваться наклонный трап или комбинация трапов для доступа в помещение, как указывается в 1.ii выше.

3. В помещениях двойного корпуса шириной менее 2,5 м доступ в помещение может обеспечиваться с помощью вертикальных трапов, включающих одну или более соединительных площадок, разнесенных не более чем на 6 м по вертикали и смещенных к одной стороне трапа. Самая верхняя часть вертикального трапа, измеренная от верхних препятствий в районе входа в танк, должна быть не менее 2,5 м, но и не превышать 3,0 м и должна включать соединительную площадку, смещенную к одной стороне трапа. Однако расстояние по вертикали от самой верхней части вертикального трапа, измеренное от выступающих частей подволока в районе входа в танк, может быть уменьшено до 1,6 м, если этот трап располагается на продольных или поперечных постоянных средствах доступа, установленных в этих пределах. Смежные участки трапа должны быть смещены по отношению друг к другу по горизонтали, по меньшей мере, на ширину трапа (см. параграф 20 MSC/Circ.686).

4. Доступ с палубы в помещение двойного дна может быть с помощью вертикальных трапов через шахту. Расстояние по вертикали от палубы до соединительной площадки для отдыха, между соединительными площадками или соединительной площадкой и днищем танка должно составлять не более 6 м, если Администрацией не одобрено иное.

#### **Средства доступа для осмотра вертикальных конструкций нефтеналивных судов:**

Вертикальные трапы, предусмотренные как средства доступа в помещение, могут использоваться для доступа с целью осмотра вертикальных конструкций.

Если в Таблице 1 Технических положений не указывается иное, то вертикальные трапы, которые установлены на вертикальных конструкциях для осмотра, должны включать одну или более соединительных площадок, разнесенных по вертикали не более чем на 6 м и смещенных к одной стороне трапа. Смежные участки трапа должны быть смещены по отношению друг к другу по горизонтали, по меньшей мере, на ширину трапа (см. параграф 20 MSC/Circ.686).

#### **Расстояние между выступающими частями**

Минимальное расстояние между внешней стороной наклонного трапа и выступающими частями, то есть 750 мм и 600 мм в районе отверстий, указанные в 3.5 Технических положений, должны измеряться перпендикулярно к внешней стороне трапа.

#### **Техническое обоснование**

Обычная практика состоит в использовании вертикального трапа от палубы до первой площадки для того, чтобы обойти выступающие части подволока до перехода к наклонному или вертикальному трапу, смещенному к одной стороне первого вертикального трапа.

См. Для вертикальных трапов: Параграф 20 Приложения к MSC/Circ.686.

## Технические положения, резолюция MSC.158(78), параграф 3.6

3.6 Ширина наклонных трапов между стрингерами не должна быть менее 400 мм. Ступени должны располагаться на одинаковом расстоянии друг от друга с промежутками между ними от 250 до 300 мм по вертикали. Если используется сталь, ступени должны быть составлены из двух брусьев квадратного сечения не менее 22 x 22 мм, установленных так, чтобы образовать горизонтальную ступеньку, при этом концы брусьев загибаются вверх. Ступени должны проходить через бортовые стрингеры и прикрепляться к ним с помощью двойного непрерывного сварного шва. Все наклонные трапы должны быть оборудованы с обеих сторон поручнями надежной конструкции, установленными на удобном расстоянии над ступенями.

### Интерпретация

1. Высота поручней по вертикали должна быть не менее 890 мм от центра ступеньки, и два ряда поручней должны быть предусмотрены только в тех случаях, где расстояние между стрингерами и верхним поручнем составляет более 500 мм.
2. Требование о наличии двух брусьев квадратного сечения для ступенек, указанное в параграфе 3.6 Технических положений, основано на спецификации на постройку трапов в параграфе 3(е) Приложения 1 к резолюции А.272(УШ), которая касается наклонных трапов. Параграф 3.4 Технических положений допускает установку одиночных перекладин на вертикальных поверхностях для безопасного захвата. Для вертикальных трапов при использовании стали перекладины должны состояться из одиночных брусьев квадратного сечения не менее 22 мм x 22 мм для безопасного захвата.
3. Ширина наклонных трапов для доступа в грузовой трюм должна быть по меньшей мере 450 мм согласно Дополнению 17 Части 32 Морских распоряжений AMSA Австралии.
4. Ширина наклонных трапов, иных, чем для доступа в грузовой трюм, должна быть не меньше 400 мм.
5. Минимальная ширина вертикальных трапов должна составлять 350 мм, и расстояние по вертикали между перекладинами должно быть одинаковым и составлять от 250 мм до 350 мм.
6. Минимальная ширина подъема должна составлять 600 мм, кроме трапов, расположенных между трюмными шпангоутами.
7. Вертикальные трапы должны быть закреплены с интервалами, не превышающими 2,5 м для предотвращения вибрации.

### Техническое обоснование

- Параграф 3.6 Технических положений является продолжением параграфа 3.5, который касается наклонных трапов. Интерпретации по вертикальным трапам должны основываться на действующих стандартах ИМО, AMSA или морской отрасли.
- Интерпретации 2 и 5 относятся к вертикальным трапам, основываясь на действующих стандартах.
- Пара брусьев квадратного сечения для ступеней слишком велика для захвата на вертикальных трапах, а одиночные перекладины облегчают безопасный захват.

- Интерпретация 7 вводится в соответствии с требованием и интерпретацией параграфа 3.4 Технических положений.

См.

- Приложение 1 к резолюции А.272(УШ).
- Дополнение 17 Части 32 Морских распоряжений AMSA Австралии.
- Правила проведения работ МОР "Техника безопасности при доковых работах" - Раздел 3.6, Доступ в трюмы судна.

### **Технические положения, резолюция MSC.158(78), параграф 3.9.6**

3.9.6 Переносные трапы длиной более 5 м могут использоваться только в случаях, если они оснащены механическим устройством для закрепления верхнего конца трапа.

#### **Интерпретация**

Такое механическое устройство, как крючки для крепления верхнего конца трапа, может считаться приемлемым, если исключается сдвиг верхнего конца трапа вправо-влево и вперед-назад.

#### **Техническое обоснование**

Должен быть принят современный проект, если он функционален и отвечает требованиям безопасности.

### **Технические положения, резолюция MSC.158(78), параграфы 3.10 и 3.11**

3.10 Для доступа через горизонтальные отверстия, люки или горловины минимальный размер отверстия должен составлять не менее 600 x 600 мм. Если доступ в грузовой трюм устроен через грузовой люк, верхний конец трапа должен находиться как можно ближе к комингсу люка. У комингсов люков для доступа высотой более 900 мм должны иметься ступеньки с внешней стороны в том же месте, где находится трап.

3.11 Для доступа через вертикальные отверстия или горловины в отбойных переборках, флорах, балках и рамных шпангоутах, обеспечивающих проход по длине и ширине помещения, минимальный размер отверстия должен быть не менее 600 x 800 мм на высоте не более 600 мм от прохода, если только не предусмотрены решетчатые настилы или иные опоры для ног.

#### **Интерпретация**

См. интерпретацию параграфов 5.1 и 5.2 правила II-1/3-6 СОЛАС.

Для обеспечения доступа через вертикальные и горизонтальные отверстия внутри помещений, в которых размер переборочной панели может затруднять вырезание отверстия в соответствии с требованиями, изложенными в 3.10 или 3.11, Администрацией могут быть одобрены меньшие размеры отверстий, в частности, для обеспечения доступа в районе двойного дна, при условии, что будет продемонстрировано, что получивший травму человек может быть вынесен из помещения.

### **Технические положения, резолюция MSC.158(78), параграф 3.13.1**

3.13 На навалочных судах трапы для доступа в грузовые трюмы должны быть:

.1 если расстояние по вертикали между верхней поверхностью смежных палуб или между палубой и днищем грузового помещения не более 6 м, должен быть предусмотрен вертикальный или наклонный трап; и

#### **Интерпретация**

Как вертикальный трап, так и наклонный трап или их комбинация, могут использоваться для доступа в грузовой трюм, где расстояние по вертикали составляет 6 м или менее от палубы до днища грузового трюма.

### **Таблица 1 - Средства доступа для нефтеналивных судов, резолюция MSC. 158(78), параграф 1.1**

1 Танки водяного балласта, за исключением тех, которые указаны в правой колонке, и грузовые танки

#### **Доступ к выступающим частям подволока**

1.1 Для танков высотой 6 м и более с внутренними конструкциями постоянные средства доступа должны быть оборудованы в соответствии с .1-.6:

#### **Интерпретация**

1. Подпараграфы .1, .2 и .3 определяют доступ к подпалубным конструкциям, доступ к самым верхним частям рамных шпангоутов и соединениям между этими конструкциями.

2. Подпараграфы .4, .5 и .6 определяют доступ только к вертикальным конструкциям и связаны с наличием рамных шпангоутов на продольных переборках.

3. При отсутствии подпалубных конструкций (продольные подпалубные связи и рамные бимсы), но при наличии в грузовом танке вертикальных конструкций, поддерживающих поперечные и продольные переборки, должен обеспечиваться доступ согласно подпараграфам .1 - .6 для осмотра верхних частей вертикальных конструкций на поперечных и продольных переборках.

4. При отсутствии конструкции в грузовом танке раздел 1.1 Таблицы 1 не применяется.

5. Раздел 1 Таблицы 1 должен также применяться к пустым помещениям в грузовой зоне, которые могут сравниться по объему с помещениями, на которые распространяется правило II-1/3-6, кроме тех помещений, на которые распространяется Раздел 2.

6. Расстояние по вертикали ниже выступающей части подволока должно измеряться от нижней стороны настила главной палубы до верха площадки средств доступа в данном месте.

7. Высота танка должна измеряться в каждом танке. Для танка, высота которого изменяется в разных частях, к частям танка, которые имеют высоту 6 м и более, должен применяться пункт 1.1.

#### **Техническое обоснование**

Интерпретация 7: Если высота танка увеличивается по длине судна, то должны быть обеспечены постоянные средства доступа в том месте, где высота более 6 м.

См.

Параграф 10 Приложения к MSC/Circ.686.

#### **Таблица 1 - Средства доступа для нефтеналивных судов, резолюция MSC. 158(78), параграф 1.1.2**

1.1.2 по меньшей мере по одному непрерывному продольному постоянному средству доступа на каждой стороне танка. Одно из этих средств доступа должно быть на расстоянии минимум 1,6 м и максимум 6 м ниже внутренней обшивки палубы, а другое - минимум 1,6 м и максимум 3 м ниже внутренней обшивки палубы;

#### **Интерпретация**

Существует необходимость обеспечивать непрерывные продольные постоянные средства доступа, когда продольные подпалубные связи и рамные бимсы устанавливаются на палубе, а подкрепляющие кницы устанавливаются под палубой.

#### **Таблица 1 - Средства доступа для нефтеналивных судов, резолюция MSC. 158(78), параграф 1.1.3**

1.1.3 доступ между устройствами, указанными в .1 и .2, и с главной палубы к .1 или .2;

#### **Интерпретация**

Средства доступа к танкам могут использоваться для доступа к постоянным средствам доступа для осмотра.

#### **Техническое обоснование**

В принципе, в случае, когда средства доступа могут использоваться для доступа к конструктивным элементам с целью осмотра, нет необходимости дублировать средства доступа.

## **Таблица 1 - Средства доступа для нефтеналивных судов, резолюция MSC. 158(78), параграф 1.1.4**

1.1.4 непрерывные продольные постоянные средства доступа, встроенные в конструктивный элемент на подкрепленной поверхности продольной переборки, расположенные, если возможно, на одном уровне с горизонтальными балками поперечных переборок, должны быть обеспечены для доступа к рамным шпангоутам, если только на самой верхней площадке не установлены постоянные устройства для использования альтернативных средств согласно параграфу 3.9 Технических положений, для осмотра на промежуточных высотах;

### **Интерпретация**

Постоянные устройства, требуемые для обслуживания альтернативных средств доступа, например, платформа лифта, которая должна использоваться членами экипажа и сюрвейерами, должны обеспечивать, по меньшей мере, уровень безопасности, равный уровню безопасности постоянных средств доступа, указанных в том же параграфе.

Эти средства доступа должны быть в наличии на борту судна, и быть готовы к использованию без наполнения танка водой.

Следовательно, согласно этому положению использование плотов не приемлемо.

Альтернативные средства доступа должны быть частью Наставления по доступу, которое должно быть одобрено от имени государства флага.

Для танков водяного балласта шириной 5 м и более, таких как на рудовозах, бортовая обшивка должна рассматриваться аналогично "продольной переборке".

## **Таблица 1 - Средства доступа для нефтеналивных судов, резолюция MSC. 158(78), параграф 2.1**

### **2. Бортовые танки водяного балласта шириной менее 5 м, образующие пространства двойного борта и их скуловые отсеки**

#### **Доступ к подпалубным конструкциям**

2.1 Для пространств двойного борта над верхней кромкой скулового пояса постоянные средства доступа должны быть оборудованы в соответствии с .1 и .2:

### **Интерпретация**

Раздел 2 Таблицы 1 должен также применяться к бортовым танкам, спроектированным как пустые пространства.

Параграф 2.1.1 представляет собой требования к доступу к подпалубным конструкциям, а параграф 2.1.2 - требование к доступу для освидетельствования и осмотра вертикальных конструкций на продольных переборках (рамных шпангоутах).

### **Техническое обоснование**

Правило II-1/3-6.2.1 требует, чтобы каждое помещение было обеспечено средствами доступа. Хотя пустые пространства не указываются в Технических положениях, содержащихся в резолюции MSC.158(78), спорным является вопрос о необходимости средств доступа в пустые пространства. Средства доступа или переносные средства доступа являются необходимым устройством для облегчения осмотра состояния конструкций помещений и ограничивающих конструкций. Следовательно, требования Раздела 2 Таблицы 1 должны применяться к пространствам двойного корпуса, даже если они спроектированы как пустые пространства.

## **Таблица 1 - Средства доступа для нефтеналивных судов, резолюция MSC. 158(78), параграф 2.1.1**

### **2. Бортовые танки водяного балласта шириной менее 5 м, образующие пространства двойного борта и их скуловые отсеки**

#### **Доступ к подпалубным конструкциям**

2.1.1 Если расстояние по вертикали между самым верхним горизонтальным стрингером и внутренней обшивкой палубы составляет 6 м или более, должно быть оборудовано одно непрерывное постоянное средство доступа по всей длине танка со средствами, позволяющими проход через рамные шпангоуты, установленное на расстоянии минимум 1,6 м и максимум 3 м ниже внутренней обшивки палубы с вертикальным трапом для доступа в каждой оконечности танка;

#### **Интерпретация**

1. Для танка, расстояние по вертикали между верхним горизонтальным стрингером и внутренней обшивкой палубы, которого изменяется в различных частях, пункт 2.1.1 должен применяться к частям, которые подпадают под эти критерии.
2. Непрерывное постоянное средство доступа может быть широкой продольной связью, которая обеспечивает доступ к критическим элементам на противоположном борту с помощью площадок на рамных шпангоутах, если необходимо. В случае, когда вертикальное отверстие рамного шпангоута расположено в районе открытой части между широкой продольной связью и продольной связью на противоположном борту, площадки должны предусматриваться по обеим сторонам рамных шпангоутов, чтобы позволить безопасный проход через рамный шпангоут.
3. Если правилом II-1/3-6.3.2 СОЛАС требуются два люка для доступа, на палубу должны вести два трапа для доступа в каждой оконечности танка.

#### **Техническое обоснование**

Интерпретация 1: Интерпретация изменяющейся высоты танка в пункте 1 Таблицы 1 применяется к расстоянию по вертикали между верхним горизонтальным стрингером и внутренней обшивкой палубы для обеспечения соответствия.

## **Таблица 1 - Средства доступа для нефтеналивных судов, резолюция MSC. 158(78), параграф 2.1.2**

2.1.2 непрерывные продольные постоянные средства доступа, встроенные в конструкцию, расстояние между которыми по вертикали не превышает 6 м; и

### **Интерпретация**

Непрерывное постоянное средство доступа может быть широкой продольной связью, которая обеспечивает доступ к критическим элементам на противоположном борту с помощью площадок на рамных шпангоутах, если необходимо. В случае, когда вертикальное отверстие рамного шпангоута расположено в районе открытой части между широкой продольной связью и продольной связью на противоположном борту, площадки должны быть предусмотрены на обеих сторонах рамного шпангоута, чтобы обеспечить безопасный проход через рамный шпангоут.

«Целесообразное отступление», как отмечается в параграфе 1.4 Технических положений, не более 10 %, может применяться, если постоянные средства доступа встроены в саму конструкцию.

## **Таблица 1 - Средства доступа для нефтеналивных судов, резолюция MSC. 158(78), параграф 2.2**

2.2 Для скуловых отсеков, в которых расстояние по вертикали от днища танка до верхней кромки скулового пояса составляет 6 м и более, должно предусматриваться одно продольное постоянное средство доступа по всей длине танка. Доступ к нему должен обеспечиваться с помощью вертикальных постоянных средств доступа в каждой оконечности танка.

### **Интерпретация**

1. Должны быть обеспечены постоянные средства доступа между продольными непрерывными постоянными средствами доступа и дном этого помещения.
2. Высота скулового танка, расположенного вне параллельной части судна, должна быть принята за максимальное расстояние по вертикали, измеренное от обшивки днища до скуловой обшивки танка.
3. Для носовых и кормовых скуловых балластных танков с приподнятым днищем, высота которых составляет 6 м и более, должно быть принято сочетание поперечных и вертикальных средств доступа к верхней кромке скулового пояса для каждого рамного шпангоута вместо продольных постоянных средств доступа.

### **Техническое обоснование**

Интерпретация 2: скуловые танки в носовой и кормовой оконечностях района грузовых танков сужаются вследствие обшивки приподнятого днища, и фактическое расстояние по вертикали от днища танка до скуловой обшивки танка более удобно определять, если для этой цели могли бы использоваться переносные средства доступа.

Интерпретация 3: В носовых и кормовых скуловых танках, где расстояние по вертикали составляет 6 м и более, но установка продольных постоянных средств доступа практически невозможна, постоянное средство доступа, сочетающее поперечные и вертикальные трапы, обеспечивает альтернативное средство доступа к верхней кромке скулового пояса.



**Таблица 2 - Средства доступа для навалочных судов, резолюция MSC.158(78), параграф 1.1**

**1 Грузовые трюмы**

**Доступ к подпалубным конструкциям**

1.1 Должны быть оборудованы постоянные средства доступа для обеспечения доступа к выступающим частям подволока с обеих сторон межлюковой перемишки и вблизи диаметральной плоскости. К каждому средству доступа должен иметься доступ около входа в грузовой трюм или непосредственно с главной палубы, и каждое такое средство доступа должно быть установлено на расстоянии минимум 1,6 м и максимум 3 м ниже палубы.

**Интерпретация**

1. Средства доступа должны предусматриваться для конструкций межлюковых перемишек в носовой и кормовой части каждого грузового трюма.
2. Взаимосвязанные средства доступа под межлюковой перемишкой для прохода к трем местам по их обеим сторонам и вблизи диаметральной плоскости, должны быть приняты в качестве трех средств доступа.
3. Должны быть приняты постоянные средства доступа в трех отдельных местах, доступных независимо, одно с каждой стороны и одно вблизи диаметральной плоскости.
4. Особое внимание следует обращать на конструктивную прочность в местах, где предусмотрено отверстие для доступа на главной палубе или межлюковой перемишке.
5. Требования к конструкции межлюковой перемишки навалочного судна также применимы к рудовозам.

**Техническое обоснование**

Предусматриваются практичные устройства средств доступа.

**Таблица 2 - Средства доступа для навалочных судов, резолюция MSC.158(78), параграф 1.3**

1.3 Доступ к постоянным средствам доступа к выступающим частям подволока межлюковой перемишки может также быть осуществлен через верхнюю опору.

**Интерпретация**

Особое внимание следует обращать на обеспечение конструктивной прочности в районе отверстия для доступа, предусмотренного на главной палубе или на межлюковой перемишке.

**Таблица 2 - Средства доступа для навалочных судов, резолюция MSC.158(78), параграф 1.4**

1.4 На судах, имеющих поперечные переборки с полными верхними опорами с доступом с главной палубы, который позволяет осматривать все рамные конструкции и обшивку изнутри, постоянных средств доступа межлюковой перемычки не требуется.

**Интерпретация**

Под «полными верхними опорами» понимаются опоры с полной протяженностью между бортовыми подпалубными танками и между концевыми люковыми бимсами.

**Таблица 2 - Средства доступа для навалочных судов, резолюция MSC.158(78), параграф 1.5**

В качестве альтернативы могут использоваться передвижные средства доступа к выступающим частям подволока межлюковой перемычки, если они находятся на расстоянии 17 м или менее от второго дна, измеренном по вертикали.

**Интерпретация**

1. Наличие на борту судна передвижных средств доступа к подпалубной конструкции межлюковой перемычки необязательно. Достаточно иметь их в наличии, когда потребуются.
2. Требования к конструкции межлюковой перемычки навалочного судна также применимы к рудовозам.

**Таблица 2 - Средства доступа для навалочных судов, резолюция MSC.158(78), параграф 1.6**

**Доступ к вертикальным конструкциям**

1.6 Постоянные средства вертикального доступа должны быть оборудованы во всех грузовых трюмах и встроены в конструкцию, чтобы обеспечить возможность проверки минимум 25 % общего числа трюмных шпангоутов по левому и правому борту; эти средства должны быть равномерно распределены по всему трюму, включая каждую его оконечность в районе поперечных переборок. Однако ни при каких обстоятельствах такое расположение не должно включать менее трех постоянных средств вертикального доступа, установленных у каждого борта (носовая и кормовая оконечности трюма и средняя часть). Постоянное средство вертикального доступа, установленное между двумя смежными трюмными шпангоутами, рассматривается в качестве средства доступа для осмотра обоих трюмных шпангоутов. Для доступа к пространству над наклонной обшивкой скуловых балластных танков могут использоваться переносные средства доступа.

**Интерпретация**

Максимальное расстояние по вертикали между перекладинами вертикальных трапов для доступа к трюмным шпангоутам должно составлять 350 мм.

Если должны использоваться предохранительные ремни, то необходимо предусматривать средства их удобное крепление в надлежащих местах.

## **Техническое обоснование**

Максимальное расстояние по вертикали, равное 350 мм между перекладинами, применяется с целью уменьшения застревания грузов.

### **Таблица 2 - Средства доступа для навалочных судов, резолюция MSC.158(78), параграф 1.7**

1.7 Кроме того, переносные или передвижные средства доступа должны использоваться для доступа к остальным трюмным шпангоутам вплоть до их верхних краев и поперечных переборок.

#### **Интерпретация**

Переносные, передвижные или альтернативные средства доступа должны также применяться к гофрированным переборкам.

### **Таблица 2 - Средства доступа для навалочных судов, резолюция MSC.158(78), параграф 1.8**

1.8 Переносные или передвижные средства доступа могут использоваться для доступа к трюмным шпангоутам вплоть до их верхних краев вместо постоянных средств в соответствии с требованиями 1.6. Эти средства доступа должны находиться на борту судна готовыми к использованию.

#### **Интерпретация**

Готовы к использованию означает:

Могут быть перемещены в грузовой трюм и надежно закреплены командой судна.

### **Таблица 2 - Средства доступа для навалочных судов, резолюция MSC.158(78), параграф 2.3**

2.3 Должны быть оборудованы три постоянные средства доступа в концевом пролете и в среднем пролете каждого танка, проходящие от основания танка до пересечения наклонного листа с бортовым стрингером люка. Существующая продольная конструкция может использоваться как часть данного средства доступа.

#### **Интерпретация**

Если продольные конструкции на наклонном листе установлены снаружи танка, должно быть оборудовано средство доступа.

### **Таблица 2 - Средства доступа для навалочных судов, резолюция MSC.158(78), параграф 2.5**

#### **Скуловые танки**

2.5 Для каждого скулового танка, высота которого составляет 6 м и более, должно предусматриваться одно продольное непрерывное постоянное средство доступа вдоль рамных связей бортовой обшивки, установленное на расстоянии минимум 1,2 м под верхней частью отверстия рамной связи с вертикальным трапом для доступа вблизи каждого прохода в танк.

## **Интерпретация**

1. Высота скулового танка, расположенного вне параллельной части судна должна приниматься как максимальная вертикальная высота, измеренная от обшивки днища до скуловой обшивки танка
2. Необходимо продемонстрировать, что переносные средства для осмотра могут сниматься и использоваться в тех районах, где они требуются

### **Таблица 2 - Средства доступа для навалочных судов, резолюция MSC.158(78), параграф 2.5.2**

#### **Скуловые танки**

2.5.2 В качестве альтернативы, продольное постоянное средство доступа может находиться в верхней части шпангоута над отверстием рамной связи как минимум на 1,6 м ниже внутренней обшивки палубы, если такое расположение позволяет более удобно провести осмотр критических в отношении конструктивной прочности участков. В качестве прохода может использоваться расширенная продольная рамная конструкция.

## **Интерпретация**

Широкий продольный шпангоут шириной по меньшей мере 600 мм может использоваться в качестве продольного непрерывного постоянного средства. В кормовых и носовых скуловых танках с поднятым дном, имеющие высоту 6 м и более, вместо постоянных продольных средств доступа может быть одобрено сочетание поперечных и вертикальных средств доступа к соединению наклонного листа скулового танка с бортовой обшивкой для каждого поперечного рамного шпангоута.

### **Таблица 2 - Средства доступа для навалочных судов, резолюция MSC.158(78), параграф 2.6**

2.6 Если не предусмотрены вырезы для доступа через рамные шпангоуты в пределах 600 мм от основания танка и высота стенки рамных шпангоутов составляет более 1 м в районе бортовой обшивки и наклонной обшивки, то в таком случае должны быть оборудованы перекладины/захваты для рук, обеспечивающие безопасный доступ через каждый рамный шпангоут.

## **Интерпретация**

Высота стенки рамных шпангоутов должна измеряться в районе бортовой обшивки и основания танка.

#### **Техническое обоснование**

В скуловом танке наклонная обшивка находится выше отверстия, в то время как перемещение сурвейера происходит вдоль днища танка. Следовательно, 1 м следует отмерять от днища танка.

**SC 226**  
(Nov 2008)  
(Rev.1 Dec 2012)

**IACS Unified Interpretations (UI) for on the application of SOLAS regulations to conversions of Single-Hull Oil Tankers to Double-Hull Oil Tankers or Bulk Carriers ~~Single Hull Tanker to Double Hull Tanker or Bulk Carrier/Ore Carrier~~**

Reference table of the clarification of the applicability of SOLAS regulations

No.	Reg.	Title/Content	Note
1	II-1/1.3	Alterations and modifications of a major character	As amended by MSC.216(82)
2	II-1/3.2, 2 & 3.2, 4	Protective coatings of dedicated seawater ballast tanks in all types of ships and double-side skin spaces of bulk carriers	As amended by MSC.216(82)
3	II-1/3-6	Access to and within spaces in, and forward of, the cargo area of oil tankers and bulk carriers	As amended by MSC.194(80)
4	II-1/3-8	Towing and Mooring Equipment	As amended by MSC.194(80)
5	II-1/Part B & Part B-1	Part B: Subdivision and stability <del>Part B-1: Stability</del>	As amended by MSC.216(82)
6	II-2/1.3	Repairs, alterations, modifications and outfitting	
7	III/1.4.2	Alterations and modifications of a major character	
8	III/31.1.8	<del>Survival craft and rescue boats</del> <del>Free fall lifeboats</del>	
9	V/22	Navigation bridge visibility	
10	XII/4	Damage stability requirements applicable to bulk carriers	
44	XII/5.1 & 5.2	Structural strength of bulk carriers	
42	XII/6.1	Structural and other requirements for bulk carriers	
43	XII/6.2	Structural and other requirements for bulk carriers	
44	XII/6.3	Structural and other requirements for bulk carriers	As amended by MSC.216(82) Annex 1
45	XII/6.4	Structural and other requirements for bulk carriers	As amended by MSC.216(82) Annex 1
46	XII/7.1	Survey and maintenance of bulk carrier	
47	XII/7.2	Survey and maintenance of bulk carrier	
48	XII/8	Information on compliance with requirements for bulk carriers	
49	XII/9	Requirements for bulk carriers not being capable of complying with regulation 4.3 due to the design configuration of their cargo holds	
20	XII/10	Solid bulk cargo density declaration	
24	XII/11	Loading instrument	
22	XII/12	Hold, ballast and dry space water ingress alarms	
23	XII/13	Availability of pumping systems	
24	XII/14	Restrictions from sailing with any hold empty	

Note:

**SC**  
**226**  
(cont)

1. This UI is to be applied by IACS ~~Members and Associates~~Societies when acting as recognized organizations, authorized by flag State Administrations to act on their behalf, unless otherwise advised, from ~~1 January 2009~~1 January 2014.

**SC226.1 Alterations and modifications of a major character  
SOLAS Chapter II-1 Reg. 1.3 (as amended by MSC.216(82))**
**SOLAS Chapter II-1, Reg. 1 'Application':**

*"3 All ships which undergo repairs, alterations, modifications and outfitting related thereto shall continue to comply with at least the requirements previously applicable to these ships. Such ships, if constructed before the date on which any relevant amendments enter into force, shall, as a rule, comply with the requirements for ships constructed on or after that date to at least the same extent as they did before undergoing such repairs, alterations, modifications or outfitting. Repairs, alterations and modifications of a major character and outfitting related thereto shall meet the requirements for ships constructed on or after the date on which any relevant amendments enter into force, in so far as the Administration deems reasonable and practicable."*

**Interpretation**

1. The date on which a conversion occurs for the purposes of determining the applicability of requirements for ships constructed on or after the date on which any relevant amendments enters into force is to be:
  - .1 the date on which the contract is placed for the conversion; or
  - .2 in the absence of a contract, the date on which the work identifiable with the specific conversion begins; or
  - .3 the completion date of the conversion, if that occurs more than three years after the date specified in subparagraph .1 above or 30 months after the date specified in subparagraph .2 above, either as applicable.
2. As for paragraph 1 above, the following applies:
  - .1 Where the completion date of the conversion has been subject to delay beyond the period referred to in paragraph 1.3 above due to unforeseen circumstances beyond the control of the builder and the owner, the date on which contract is placed for the conversion or, if applicable, the date on which the work identifiable with the specific conversion begins may be accepted by the Administration in lieu of the completion date of the conversion. The treatment of such ships is to be considered by the Administration on a case-by-case basis, bearing in mind the particular circumstances.
  - .2 It is important that ships accepted by the Administration under the provisions of subparagraph .1 above are also to be accepted as such by port States. In order to ensure this, the following practice is recommended to Administrations when considering an application for such a ship:
    - .1 the Administration should thoroughly consider applications on a case-by-case basis, bearing in mind the particular circumstances. In doing so in the case of a ship converted in a foreign country, the Administration may require a formal report from the authorities of the country in which the ship was converted, stating that the delay was due to unforeseen circumstances beyond the control of the builder and the owner;

**SC  
226**  
(cont)

- .2 when a ship is accepted by the Administration under the provisions of subparagraph .1 above, information on the conversion date annotated on the relevant certificates is to be footnoted to indicate that the ship is accepted by the Administration under the unforeseen delay in completion of the conversion provisions of this interpretation; and
- .3 the Administration should report to the Organization on the identity of the ship and the grounds on which the ship has been accepted under the unforeseen delay in the completion of the conversion provisions of this interpretation.

The date on which such a modification occurs for purposes of determining the applicability of requirements for ships constructed on or after the date on which any relevant amendments enter into force shall be:

— the date on which the contract is placed for the conversion; or

— in the absence of a contract, the date on which the work identifiable with the specific conversion begins.

**For conversions of single-hull oil tankers to double-hull oil tankers or bulk carriers, the following is to apply:**

- .1 Conversions of single-hull oil tankers to double-hull oil tankers or bulk carriers is to be regarded as modifications of a major character for the purposes of SOLAS chapter II-1.
- .2 Repairs, alterations and modifications of a major character include:
- .1 Substantial alteration of the dimensions of a ship, for example lengthening of a ship by adding a new midbody. The new midbody is to comply with SOLAS chapter II-1.
- .2 A change of ship type, for example an oil tanker converted to a bulk carrier. Any structure, machinery and systems that are added or modified is to comply with SOLAS chapter II-1, taking into account the interpretation of SOLAS chapter II-1 regulations as contained herein.

**For Single-Hull Tanker to Double-Hull Tanker or Single-Hull Tanker to Bulk Carrier/Ore Carrier**

i.e.

1— ~~Conversions of single-hull tankers to double-hull tankers are regarded as modifications of a major character for the purposes of SOLAS chapter II-1.~~

2— ~~Repairs, alterations and modifications of a major character include:~~

— ~~.1 Substantial alteration of the dimensions of a ship, for example:~~

~~Lengthening of a ship by adding a new midbody. The new midbody shall comply with SOLAS chapter II-1.~~

— ~~.2 A change of ship type, for example:~~



**SC  
226**  
(cont)

~~A tanker converted to a bulk carrier. Any structure, machinery and systems that are added or modified shall comply with SOLAS chapter II-1 taking into account the interpretation Reg. 3-2, 2 and Reg. 3-2, 4.~~

**SC226.2 Protective coatings of dedicated seawater ballast tanks in all types of ships and double-side skin spaces of bulk carriers**  
**SOLAS Chapter II-1 Reg. 3-2, 2 and Reg. 3-2, 4 (as amended by MSC.216(82))**

**SOLAS Chapter II-1, Reg. 3-2:**

*"2 All dedicated seawater ballast tanks arranged in ships and double-side skin spaces arranged in bulk carriers of 150 m in length and upwards shall be coated during construction in accordance with the Performance standard for protective coatings for dedicated seawater ballast tanks in all types of ships and double-side skin spaces of bulk carriers, adopted by the Maritime Safety Committee by resolution MSC.215(82), as may be amended by the Organization, provided that such amendments are adopted, brought into force and take effect in accordance with the provisions of article VIII of the present Convention concerning the amendment procedures applicable to the Annex other than chapter I."*

and

*"4 Maintenance of the protective coating system shall be included in the overall ship's maintenance scheme. The effectiveness of the protective coating system shall be verified during the life of a ship by the Administration or an organization recognized by the Administration, based on the guidelines developed by the Organization. \*\*"*

**Interpretation**

1. For single-hull oil tanker conversion into double-hull oil tanker, SOLAS regulation II-1/3-2 as adopted by resolution MSC.216(82) is to apply to dedicated water ballast tanks if constructed with all structural members being entirely new. If converting existing spaces into water ballast tanks with part of the existing structural members remaining in place, revised SOLAS regulation II-1/3-2 (MSC.216(82)) need not be applied. However, dedicated sea water ballast tanks are to have an efficient corrosion prevention system such as hard protective coatings or equivalent and be of light colour.
2. For single-hull oil tanker conversion into bulk carrier, SOLAS regulation II-1/3-2 as adopted by resolution MSC.216(82) is to apply to dedicated water ballast tanks and double-side skin spaces of bulk carriers if constructed with all structural members being entirely new. If converting existing spaces into dedicated water ballast tanks or double-side skin space of bulk carriers with part of the existing structural members remaining in place, revised SOLAS regulation II-1/3-2 (MSC.216(82)) need not be applied. However, dedicated sea water ballast tanks are to have an efficient corrosion prevention system such as hard protective coatings or equivalent and be of light colour.

**~~• For Single Hull Tanker to Double Hull Tanker~~**

~~SOLAS II 1/3 2 (MSC.216(82)) only applies to dedicated water ballast tanks if constructed with all structural members being entirely new. If converting existing spaces into water ballast tanks with part of the existing structural members remaining in place, revised SOLAS II 1/3 2 (MSC.216(82)) need not be applied.~~

**~~• For Single Hull Tanker to Bulk Carrier/Ore Carrier~~**

**SC  
226**  
(cont)

~~SOLAS II-1/3-2 (MSC.216(82)) only applies to dedicated water ballast tanks and double-side skin space of bulk carriers if constructed with all structural members being entirely new. If converting existing spaces into dedicated water ballast tanks or double-side skin space of Bulk Carrier with part of the existing structural members remains in place, revised SOLAS II-1/3-2 (MSC.216(82)) need not be applied.~~

**SC226.3 Access to and within spaces in, and forward of, the cargo area of oil tankers and bulk carriers**  
**SOLAS Chapter II-1 Reg. 3-6 (as amended by MSC.194(80))**

*Regulation texts are not inserted here.*

**Interpretation**

**1. For single-hull oil tanker conversion into double-hull oil tanker**

1.1 Permanent means of access contained in table 1 of the Technical provisions for means of access for inspections (resolution MSC.158(78)) need not apply. However, if, in the course of conversion, substantial new structures are added, these new structures are to comply with the regulation.

1.2 The term "substantial new structures" means hull structures that are entirely renewed or augmented by new double bottom and/or double-side construction (e.g., replacing the entire structure within cargo area or adding a new double bottom and/or double-side section to the existing cargo area).

1.3 Additionally, an approved Ship Structure Access Manual is to be provided.

**2. For single-hull oil tanker conversion into bulk carrier**

2.1 Permanent means of access contained in table 2 of the Technical provisions for means of access for inspections (resolution MSC.158(78)) need not apply. However, if, in the course of conversion, substantial new structures are added, these new structures are to comply with the regulation.

2.2 The term "substantial new structures" means hull structures that are entirely renewed or augmented by new double bottom and/or double-side skin construction (e.g., replacing the entire structure within cargo area or adding a new double bottom and/or double-side section to the existing cargo area).

2.3 Additionally, an approved Ship Structure Access Manual is to be provided.

**~~▲ For Single Hull Tanker to Double Hull Tanker~~**

~~Permanent means of access contained in table 1 of the Technical provisions for means of access for inspections (resolution MSC.158(78)) need not apply. However, if, in the course of conversion, substantial new structures are added, these new structures shall comply with the regulation.~~

~~The term "substantial new structures" means hull structures that are entirely renewed or augmented by new double bottom and/or double side construction (e.g., replacing the entire structure within cargo area or adding a new double bottom and/or double side section to the existing cargo area).~~

~~Additionally, an approved access manual shall be provided.~~

**~~▲ For Single Hull Tanker to Bulk Carrier/Ore Carrier~~**

~~Permanent means of access contained in table 2 of the Technical provisions for means of access for inspections (resolution MSC.158(78)) need not apply. However, if, in the course of~~

**SC  
226**  
(cont)

~~conversion, substantial new structures are added, these new structures shall comply with the regulation.~~

~~The term "substantial new structures" means hull structures that are entirely renewed or augmented by new double bottom and/or double side skin construction (e.g., replacing the entire structure within cargo area or adding a new double bottom and/or double side section to the existing cargo area).~~

~~Additionally, an approved access manual shall be provided.~~

**SC226.4 Towing and Mooring Equipment**  
**SOLAS Chapter II-1 Reg. 3-8 (as amended by MSC.194(80))**

*Regulation texts are not inserted here.*

**Interpretation****For single-hull oil tanker conversion into double-hull oil tanker or bulk carrier**

This regulation is to be applied when equipment and fittings for mooring/towing are replaced, modified or the safe working load of the existing equipment and fittings is known. Where the latter cannot be ascertained, alternative compliance with SOLAS regulation II-1/3-8 is to be sought (e.g., the equipment is to be replaced, tested or modified).

**~~For Single-Hull Tanker to Double-Hull Tanker or Single-Hull Tanker to Bulk Carrier/Ore Carrier~~**

~~When existing equipment or fittings are only relocated, this regulation applies only to their supporting structures.~~

~~Except where equipment and fittings for mooring/towing are totally replaced or modified, indication of Safe Work Load and provision of towing and mooring arrangements plan is not required.~~

**SC226.5 Part B: Subdivision and stability; and Part B-1: Stability Subdivision and stability**  
**SOLAS Chapter II-1 Part B and Part B-1 (as amended by MSC.216(82) – to be implemented from 1 January 2009)**

Part	Reg.	Title	Applicable to
B	4	General	Cargo ships and passenger ships, but shall exclude those cargo ships which are shown to comply with subdivision and damage stability regulations in other instruments developed by the IMO.
B-1	5	Intact stability information	Cargo ships and passenger ships
B-1	5-1	Stability information to be supplied to the master	Cargo ships and passenger ships
B-1	6	Required subdivision index $R$	Cargo ships and passenger ships
B-1	7	Attained subdivision index $A$	Cargo ships and passenger ships
B-1	7-1	Calculation of the factor $p_i$	Cargo ships and passenger ships
B-1	7-2	Calculation of the factor $s_i$	Cargo ships and passenger ships
B-1	7-3	Permeability	Cargo ships and passenger ships

Regulation texts are not inserted here.

### Interpretation

#### 1. For single-hull oil tanker conversion into double-hull oil tanker

Oil tankers complying with damage stability requirements contained in Annex I to MARPOL 73/78 (except for combination carriers with type B freeboards) may be excluded from the damage stability requirements contained in SOLAS chapter II-1, part B-1.

#### 2. For single-hull oil tanker conversion into bulk carrier

2.1 A bulk carrier which is assigned a B reduced freeboard complying with damage stability requirements contained in regulation 27 of the 1966 Load Line Convention, and resolutions A.320(IX) and A.514(13); or regulation 27 of the 1988 Load Line Protocol, may be excluded from the damage stability requirements contained in SOLAS chapter II-1, part B-1.

2.2 For a bulk carrier which is assigned a B freeboard, SOLAS chapter II-1, Parts B and B-1 are to be applied.

#### ~~• For Single-Hull Tanker to Double-Hull Tanker~~

~~As Oil Tankers shall comply with MARPOL Annex I Reg. 27 (intact stability) and Reg. 28 (damage stability), SOLAS Part B, B-1 may be excluded.~~

**SC  
226**  
(cont)**~~• For Single-Hull Tanker to Bulk Carrier/Ore Carrier~~**

~~For Bulk Carrier/Ore Carrier which is assigned a B reduced freeboard, ICLL 1966 Reg.27 (damage stability) or ICLL Protocol 1988 Reg.27 (damage stability) is applicable. As such, SOLAS II-1 Parts B, B-1 may be excluded.~~

~~For Bulk Carrier/Ore Carrier which is assigned a B freeboard, SOLAS II-1 Part B, B-1 is applicable.~~



## SC226.6 Repairs, alterations, modifications and outfitting SOLAS Chapter II-2 Reg. 1.3

### SOLAS Chapter II-2, Reg. 1.3 'Repairs, alterations, modifications and outfitting':

*"3.1 All ships which undergo repairs, alterations, modifications and outfitting related thereto shall continue to comply with at least the requirements previously applicable to these ships. Such ships, if constructed before 1 July 2002, shall, as a rule, comply with the requirements for ships constructed on or after that date to at least the same extent as they did before undergoing such repairs, alterations, modifications or outfitting.*

*3.2 Repairs, alterations and modifications which substantially alter the dimensions of a ship or the passenger accommodation spaces, or substantially increase a ship's service life and outfitting related thereto shall meet the requirements for ships constructed on or after 1 July 2002 in so far as the Administration deems reasonable and practicable."*

### Interpretation

The date on which a such a modification occurs for purposes of determining the applicability of requirements for ships constructed on or after the date on which any relevant amendments enter into force shall be:

~~\_\_\_\_\_ the date on which the contract is placed for the conversion; or~~

~~\_\_\_\_\_ in the absence of a contract, the date on which the work identifiable with the specific conversion begins.~~

For single-hull oil tanker conversion into double-hull oil tanker or bulk carrier, new and converted parts are to comply with the latest applicable requirements.

#### ~~• For Single Hull Tanker to Double Hull Tanker~~

~~New and converted parts shall comply with the latest applicable requirements.~~

#### ~~• For Single Hull Tanker to Bulk Carrier/Ore Carrier~~

~~New and converted parts shall comply with the latest applicable requirements.~~

**SC226.7 Alterations and modifications of a major character  
SOLAS Chapter III Reg. 1.4.2**

**SOLAS Chapter III, Reg. 1 'Application':**

"4 For ships constructed before 1 July 1998, the Administration shall:

.1 .....; and

.2 ensure that when life-saving appliances or arrangements on such ships are replaced or such ships undergo repairs, alterations or modifications of a major character which involve replacement of, or any addition to, their existing life-saving appliances or arrangements, such life-saving appliances or arrangements, in so far as is reasonable and practicable, comply with the requirements of this chapter. However, if a survival craft other than an inflatable liferaft is replaced without replacing its launching appliance, or vice versa, the survival craft or launching appliance may be of the same type as that replaced."

**Interpretation**

~~The date on which a such a modification occurs for purposes of determining the applicability of requirements for ships constructed on or after the date on which any relevant amendments enter into force shall be:~~

~~—— the date on which the contract is placed for the conversion; or~~

~~—— in the absence of a contract, the date on which the work identifiable with the specific conversion begins.~~

For single-hull oil tanker conversion into double-hull oil tanker or bulk carrier, this to be considered as an alteration or modification of a major character.

~~• For Single Hull Tanker to Double Hull Tanker~~

~~This shall be considered as a major conversion.~~

~~• For Single Hull Tanker to Bulk Carrier/Ore Carrier~~

~~This shall be considered as a major conversion.~~

**SC226.8 Survival craft and rescue boats ~~Free-fall lifeboats~~  
SOLAS Chapter III Reg. 31.1.8**
**SOLAS Chapter III, Reg. 31 ‘Survival craft and rescue boats’:**

“1.2 In lieu of meeting the requirements of paragraph 1.1, cargo ships may carry:

- .1 one or more free-fall lifeboats, complying with the requirements of section 4.7 of the Code, capable of being free-fall launched over the stern of the ship of such aggregate capacity as will accommodate the total number of persons on board; and
- .2 in addition, one or more inflatable or rigid liferafts complying with the requirements of section 4.2 or 4.3 of the Code, on each side of the ship, of such aggregate capacity as will accommodate the total number of persons on board. The liferafts on at least one side of the ship shall be served by launching appliances.”

and

“1.8 Notwithstanding the requirements of paragraph 1.1, bulk carriers as defined in regulation IX/1.6 constructed on or after 1 July 2006 shall comply with the requirements of paragraph 1.2.”

**Interpretation**

1. For single-hull oil tanker conversion into double-hull oil tanker, this regulation is not relevant.
2. For single-hull oil tanker conversion into bulk carrier, SOLAS regulation III/31.1.8 is to be met as for new ships, except where the space available for fitting and/or launching a free-fall lifeboat in accordance with regulation III/31.1.2.1 is not adequate, in which case the Administration is to be contacted to determine whether or not existing arrangement may be accepted.

~~• For Single Hull Tanker to Double Hull Tanker~~

~~Not relevant.~~

~~• For Single Hull Tanker to Bulk Carrier/Ore Carrier~~

~~Not applicable.~~

SC  
226  
(cont)

SC226.9      **Navigation bridge visibility**  
                  **SOLAS Chapter V Reg. 22**

*Regulation text is not inserted here.*

**Interpretation**

For single-hull oil tanker conversion into double-hull oil tanker or bulk carrier, the level of visibility possessed by the ship prior to the conversion at the ballast loading condition is to be maintained after the conversion. Where a conversion involves the modification of structural arrangements used to establish minimum bridge visibility, the provisions of SOLAS regulation V/22 is to apply.

**~~For Single-Hull Tanker to Double-Hull Tanker~~**

~~In ballast loading condition, the visibility standard applicable to the ship prior to conversion is acceptable as equivalent to the ballast loading condition after the conversion. Visibility forward needs to comply with if any changes are made to the fore end structural arrangement. This need not only be related to the fitting of a full forecastle, but could also be affected by aspects such as increasing the sheer and/or step in the upper deck.~~

**~~• For Single-Hull Tanker to Bulk Carrier/Ore Carrier~~**

~~In ballast loading condition, the visibility standard applicable to the ship prior to conversion is acceptable as equivalent to the ballast loading condition after the conversion. Visibility forward needs to comply with if any changes are made to the fore end structural arrangement. This need not only be related to the fitting of a full forecastle, but could also be affected by aspects such as increasing the sheer and/or step in the upper deck.~~

**SC226.10 Damage stability requirements applicable to bulk carriers SOLAS regulation XII/4, structural strength of bulk carriers SOLAS regulation XII/5.1 and 5.2, structural and other requirements for bulk carriers SOLAS regulation XII/6.1, XII/6.2, XII/6.3 (MSC.216(82) Annex 1) and XII/6.4 (MSC.216(82) Annex 1), survey and maintenance of bulk carriers SOLAS regulation XII/7.1 and XII/7.2, information on compliance with requirements for bulk carriers SOLAS regulation XII/8, Requirements for bulk carriers not being capable of complying with regulation 4.3 due to the design configuration of their cargo holds SOLAS regulation XII/9, Solid bulk cargo density declaration SOLAS regulation XII/10, Loading instrument SOLAS regulation XII/11, Hold, ballast and dry space water ingress alarms SOLAS regulation XII/12, Availability of pumping systems SOLAS regulation XII/13, Restrictions from sailing with any hold empty SOLAS regulation XII/14**

*Regulation texts are not inserted here.*

*"2 — Bulk carriers of 150 m in length and upwards of double-side skin construction in which any part of longitudinal bulkhead is located within B/5 or 11.5 m, whichever is less, inboard from the ship's side at right angle to the centreline at the assigned Summer Load Line, designed to carry solid bulk cargoes having a density of 1,000 kg/m<sup>3</sup> and above, constructed on or after 1 July 2006, shall, when loaded to the Summer Load Line, be able to withstand flooding of any one cargo hold in all loading conditions and remain afloat in a satisfactory condition of equilibrium, as specified in paragraph 4."*

### Interpretation

1. For single-hull oil tanker conversion into double-hull oil tanker, these regulations are not relevant.
2. For single-hull oil tanker conversion into bulk carrier, the provisions of chapter XII applicable for ships constructed on or after the date on which conversion occurs, are to be applied as for a new ship to the entire bulk carrier, i.e. all new and existing parts and spaces, as indicated in the table below.

Table of application of the Regulations of SOLAS Chapter XII to the conversions of Single Hull Tankers to Bulk Carriers/Ore Carriers

**SC  
226**  
(cont)

<u>Regulation</u>	<u>Applicability</u>	<u>Note</u>
<u>4.1</u>	<u>Apply</u>	
<u>4.2</u>	<u>Apply, based on the Unified interpretations of SOLAS regulations XII/4.2 and XII/5.2 (MSC.1/Circ.1178).</u>	
<u>4.3</u>	<u>NA</u>	
<u>4.4</u>	<u>NA</u>	<u>This regulation is referred to within regulations 4.1 and 4.2</u>
<u>4.5</u>	<u>NA</u>	
<u>4.6</u>	<u>Apply</u>	
<u>4.7</u>	<u>Apply</u>	
<u>5.1</u>	<u>Apply</u>	
<u>5.2</u>	<u>Apply, based on the Unified interpretations of SOLAS regulations XII/4.2 and XII/5.2 (MSC.1/Circ.1178).</u>	
<u>6.1</u>	<u>NA</u>	
<u>6.2</u>	<u>Apply</u>	
<u>6.3</u>	<u>Apply</u>	
<u>6.4</u>	<u>Apply</u>	
<u>7.1</u>	<u>NA. However, SOLAS regulation XI-1/2 is applicable.</u>	
<u>7.2</u>	<u>Apply</u>	
<u>8.1</u>	<u>Apply</u>	
<u>8.2</u>	<u>NA</u>	
<u>8.3</u>	<u>NA</u>	
<u>9</u>	<u>NA</u>	
<u>10.1</u>	<u>Apply</u>	
<u>10.2</u>	<u>NA</u>	
<u>11.1</u>	<u>Apply</u>	
<u>11.2</u>	<u>NA</u>	
<u>11.3</u>	<u>Apply</u>	
<u>12.1</u>	<u>Apply</u>	
<u>12.2</u>	<u>Apply</u>	
<u>12.3</u>	<u>NA</u>	
<u>13.1</u>	<u>Apply</u>	
<u>13.2</u>	<u>NA</u>	
<u>14</u>	<u>NA</u>	

• ~~For Single Hull Tanker to Double Hull Tanker~~

Not relevant.

• ~~For Single Hull Tanker to Bulk Carrier/Ore Carrier~~

When the breadth of wing tanks is less than B/5 or 11.5m, whichever is less, this requirement applies to the relevant cargo hold(s) in way of that wing tank.

**SC  
226**  
(cont)

**SC226.11 — Structural strength of bulk carriers**  
**SOLAS regulation XII/5.1 and 5.2**

~~“1 — Bulk carriers of 150 m in length and upwards of single-side skin construction, designed to carry solid bulk cargoes having a density of 1,000 kg/m<sup>3</sup> and above constructed on or after 1 July 1999, shall have sufficient strength to withstand flooding of any one cargo hold to the water level outside the ship in that flooded condition in all loading and ballast conditions, taking also into account dynamic effects resulting from the presence of water in the hold, and taking into account the recommendations adopted by the Organization.~~

~~2 — Bulk carriers of 150 m in length and upwards of double-side skin construction, in which any part of longitudinal bulkhead is located within B/5 or 11.5 m, whichever is less, inboard from the ship's side at right angle to the centreline at the assigned Summer Load Line, designed to carry bulk cargoes having a density of 1,000 kg/m<sup>3</sup> and above, constructed on or after 1 July 2006, shall comply with the structural strength provisions of paragraph 1.”~~

**Interpretation**

~~• — For Single-Hull Tanker to Double-Hull Tanker~~

Not relevant.

~~• — For Single-Hull Tanker to Bulk Carrier/Ore Carrier~~

~~When the breadth of wing tanks is less than B/5 or 11.5m, whichever is less, this requirement applies to the relevant cargo hold(s) in way of that wing tank.~~

**SC  
226**  
(cont)

~~SC226.12 Structural and other requirements for bulk carriers  
SOLAS regulation XII/6.1~~

~~"1 Bulk carriers of 150 m in length and upwards of single side skin construction, carrying solid bulk cargoes having a density of 1,780 kg/m<sup>3</sup> and above, constructed before 1 July 1999, shall comply with the following requirements in accordance with the implementation schedule specified in regulation 3:"~~

**Interpretation**

~~• For Single Hull Tanker to Double Hull Tanker~~

~~Not relevant.~~

~~• For Single Hull Tanker to Bulk Carrier/Ore Carrier~~

~~This regulation is not applicable.~~



**SC  
226**  
(cont)

**SC226.13 — Structural and other requirements for bulk carriers**  
**SOLAS regulation XII/6.2**

~~“2 — Bulk carriers of 150 m in length and upwards constructed on or after 1 July 2006, shall comply in all areas with double side skin construction with the following requirements:~~

- ~~.1 — Primary stiffening structures of the double side skin shall not be placed inside the cargo hold space.~~
- ~~.2 — Subject to the provisions below, the distance between the outer shell and the inner shell at any transverse section shall not be less than 1,000 mm measured perpendicular to the side shell. The double side skin construction shall be such as to allow access for inspection as provided in regulation II-1/3-6 and the Technical Provisions referring thereto.~~
  - ~~.1 — The clearances below need not be maintained in way of cross ties, upper and lower end brackets of transverse framing or end brackets of longitudinal framing.~~
  - ~~.2 — The minimum width of the clear passage through the double side skin space in way of obstructions such as piping or vertical ladders shall not be less than 600 mm.~~
  - ~~.3 — Where the inner and/or outer skins are transversely framed, the minimum clearance between the inner surfaces of the frames shall not be less than 600 mm.~~
  - ~~.4 — Where the inner and outer skins are longitudinally framed, the minimum clearance between the inner surfaces of the frames shall not be less than 800 mm. Outside the parallel part of the cargo hold length, this clearance may be reduced where necessitated by the structural configuration, but, shall in no case be less than 600 mm.~~
  - ~~.5 — The minimum clearance referred to above shall be the shortest distance measured between assumed lines connecting the inner surfaces of the frames on the inner and outer skins.”~~

**Interpretation**

~~• — For Single Hull Tanker to Double Hull Tanker~~

Not relevant.

~~• — For Single Hull Tanker to Bulk Carrier/Ore Carrier~~

This regulation applies. For Permanent Means of Access, the requirements contained in table 2 of the Technical provisions for means of access for inspections (resolution MSC.158(78)) shall not apply to tankers converting from single hull to double hull. However, if, in the course of conversion, substantial new structures are added, these new structures shall comply with the regulation. The term “substantial new structures” means hull structures that are entirely renewed or augmented by new double bottom and/or double side construction (e.g., replacing the entire structure within cargo area or adding a new double bottom and/or double side section to the existing cargo area). Additionally, an approved access manual shall be provided.

**SC  
226**  
(cont)

~~SC226.14 — Structural and other requirements for bulk carriers  
SOLAS regulation XII/6.3 (MSC.216(82) Annex 1)~~

~~“3 — The double-side-skin spaces, with the exception of top-side wing tanks, if fitted, shall not be used for the carriage of cargo.”~~

**Interpretation**

~~• For Single-Hull Tanker to Double-Hull Tanker~~

Not relevant.

~~• For Single-Hull Tanker to Bulk Carrier/Ore Carrier~~

This regulation applies.

**SC  
226**  
(cont)

**SC226.15 — Structural and other requirements for bulk carriers**  
**SOLAS regulation XII/6.4 (MSC.216(82) Annex 1)**

*"4 — In bulk carriers of 150 m in length and upwards, carrying solid bulk cargoes having a density of 1,000 kg/m<sup>3</sup> and above, constructed on or after 1 July 2006:*

- .1 — the structure of cargo holds shall be such that all contemplated cargoes can be loaded and discharged by standard loading/discharge equipment and procedures without damage which may compromise the safety of the structure;*
- .2 — effective continuity between the side shell structure and the rest of the hull structure shall be assured; and*
- .3 — the structure of cargo areas shall be such that single failure of one stiffening structural member will not lead to immediate consequential failure of other structural items potentially leading to the collapse of the entire stiffened panels."*

**Interpretation**

**• — For Single-Hull Tanker to Double-Hull Tanker**

Not relevant.

**• — For Single-Hull Tanker to Bulk Carrier/Ore Carrier**

The newly constructed parts of converted bulk carriers of 150 m in length and upwards, carrying solid bulk cargoes having a density of 1,000 kg/m<sup>3</sup> and above, constructed on or after 1 July 2006 shall comply.

**SC  
226**  
(cont)

**SC226.16 — Survey and maintenance of bulk carriers**  
**———— SOLAS regulation XII/7.1**

~~“1 — Bulk carriers of 150 m in length and upwards of single-side skin construction, constructed before 1 July 1999, of 10 years of age and over, shall not carry solid bulk cargoes having a density of 1,780 kg/m<sup>3</sup> and above unless they have satisfactorily undergone either:~~

- ~~.1 — a periodical survey, in accordance with the enhanced programme of inspections during surveys required by regulation XI-1/2; or~~
- ~~.2 — a survey of all cargo holds to the same extent as required for periodical surveys in the enhanced programme of inspections during surveys required by regulation XI-1/2.”~~

**Interpretation**

- ~~For Single Hull Tanker to Double Hull Tanker~~

~~Not relevant.~~

- ~~For Single Hull Tanker to Bulk Carrier/Ore Carrier~~

~~This regulation is not applicable.~~

**SC  
226**  
(cont)

**SC226.17** ~~Survey and maintenance of bulk carriers~~  
~~SOLAS regulation XII/7.2~~

~~"2 Bulk carriers shall comply with the maintenance requirements provided in regulation II-1/3-1 and the Standards for owners' inspection and maintenance of bulk carrier hatch covers, adopted by the Organization by resolution MSC.169(79), as may be amended by the Organization, provided that such amendments are adopted, brought into force and take effect in accordance with the provisions of article VIII of the present Convention concerning the amendment procedures applicable to the Annex other than chapter I."~~

**Interpretation**

~~• For Single-Hull Tanker to Double-Hull Tanker~~

Not relevant.

~~• For Single-Hull Tanker to Bulk Carrier/Ore Carrier~~

This regulation shall be applied.

**SC  
226**  
(cont)

**SC226.18 — Information on compliance with requirements for bulk carriers  
SOLAS regulation XII/8**

~~“1 — The booklet required by regulation VI/7.2 shall be endorsed by the Administration, or on its behalf, to indicate that regulations 4, 5, 6 and 7, as appropriate, are complied with.~~

~~2 — Any restrictions imposed on the carriage of solid bulk cargoes having a density of 1,780 kg/m<sup>3</sup> and above in accordance with the requirements of regulations 6 and 14 shall be identified and recorded in the booklet referred to in paragraph 1.~~

~~3 — A bulk carrier to which paragraph 2 applies shall be permanently marked on the side shell at midships, port and starboard, with a solid equilateral triangle having sides of 500 mm and its apex 300 mm below the deck line, and painted a contrasting colour to that of the hull.”~~

**Interpretation**

~~• For Single Hull Tanker to Double Hull Tanker~~

~~Not relevant.~~

~~• For Single Hull Tanker to Bulk Carrier/Ore Carrier~~

~~This regulation shall be applied.~~

**SC  
226**  
(cont)

**SC226.19** — ~~Requirements for bulk carriers not being capable of complying with regulation 4.3 due to the design configuration of their cargo holds~~  
~~SOLAS regulation XII/9~~

*"For bulk carriers constructed before 1 July 1999 being within the application limits of regulation 4.3, which have been constructed with an insufficient number of transverse watertight bulkheads to satisfy that regulation, the Administration may allow relaxation from the application of regulations 4.3 and 6, on condition that they shall comply with the following requirements:*

- .1 — for the foremost cargo hold, the inspections prescribed for the annual survey in the enhanced programme of inspections during surveys required by regulation XI 1/2 shall be replaced by the inspections prescribed therein for the intermediate survey of cargo holds;*
- .2 — they are provided with bilge well high water level alarms in all cargo holds, or in cargo conveyor tunnels, as appropriate, giving an audible and visual alarm on the navigation bridge, as approved by the Administration or an organization recognized by it in accordance with the provisions of regulation XI 1/4; and*
- .3 — they are provided with detailed information on specific cargo hold flooding scenarios. This information shall be accompanied by detailed instructions on evacuation preparedness under the provisions of section 8 of the International Safety Management (ISM) Code and be used as the basis for crew training and drills."*

**Interpretation**

- ~~For Single-Hull Tanker to Double-Hull Tanker~~

Not relevant.

- ~~For Single-Hull Tanker to Bulk Carrier/Ore Carrier~~

This regulation is not applicable.

**SC  
226**  
(cont)

~~SC226.20 — Solid bulk cargo density declaration  
— SOLAS regulation XII/10~~

~~"1 — Prior to loading bulk cargo on bulk carriers of 150 m in length and upwards, the shipper shall declare the density of the cargo, in addition to providing the cargo information required by regulation VI/2.~~

~~2 — For bulk carriers to which regulation 6 applies, unless such bulk carriers comply with all relevant requirements of this chapter applicable to the carriage of solid bulk cargoes having a density of 1,780 kg/m<sup>3</sup> and above, any cargo declared to have a density within the range 1,250 kg/m<sup>3</sup> to 1,780 kg/m<sup>3</sup> shall have its density verified by an accredited testing organization."~~

**Interpretation**

~~• For Single-Hull Tanker to Double-Hull Tanker~~

Not relevant.

~~• For Single-Hull Tanker to Bulk Carrier/Ore Carrier~~

~~This regulation shall be applied.~~



**SC  
226**  
(cont)

**SC226.21 — Loading instrument**  
**————— SOLAS regulation XII/11**

***“Loading instrument***

*(Unless provided otherwise, this regulation applies to bulk carriers regardless of their date of construction)*

*1 — Bulk carriers of 150 m in length and upwards shall be fitted with a loading instrument capable of providing information on hull girder shear forces and bending moments, taking into account the recommendation adopted by the Organization.*

*2 — Bulk carriers of 150 m in length and upwards constructed before 1 July 1999 shall comply with the requirements of paragraph 1 not later than the date of the first intermediate or periodical survey of the ship to be carried out after 1 July 1999.*

*3 — Bulk carriers of less than 150 m in length constructed on or after 1 July 2006 shall be fitted with a loading instrument capable of providing information on the ship's stability in the intact condition. The computer software shall be approved for stability calculations by the Administration and shall be provided with standard conditions for testing purposes relating to the approved stability information.”*

**Interpretation**

**• — For Single-Hull Tanker to Double-Hull Tanker**

Not relevant.

**• — For Single-Hull Tanker to Bulk Carrier/Ore Carrier**

This regulation shall be applied.

**SC  
226**  
(cont)

**SC226.22 — Hold, ballast and dry space water ingress alarms**  
**SOLAS regulation XII/12**

***“Hold, ballast and dry space water ingress alarms***

*(This regulation applies to bulk carriers regardless of their date of construction)*

*1 — Bulk carriers shall be fitted with water level detectors:*

- .1 — in each cargo hold, giving audible and visual alarms, one when the water level above the inner bottom in any hold reaches a height of 0.5 m and another at a height not less than 15% of the depth of the cargo hold but not more than 2 m. On bulk carriers to which regulation 9.2 applies, detectors with only the latter alarm need be installed. The water level detectors shall be fitted in the aft end of the cargo holds. For cargo holds which are used for water ballast, an alarm overriding device may be installed. The visual alarms shall clearly discriminate between the two different water levels detected in each hold;*
- .2 — in any ballast tank forward of the collision bulkhead required by regulation II-1/12, giving an audible and visual alarm when the liquid in the tank reaches a level not exceeding 10% of the tank capacity. An alarm overriding device may be installed to be activated when the tank is in use; and*
- .3 — in any dry or void space other than a chain cable locker, any part of which extends forward of the foremost cargo hold, giving an audible and visual alarm at a water level of 0.1 m above the deck. Such alarms need not be provided in enclosed spaces the volume of which does not exceed 0.1% of the ship's maximum displacement volume.*

*2 — The audible and visual alarms specified in paragraph 1 shall be located on the navigation bridge.*

*3 — Bulk carriers constructed before 1 July 2004 shall comply with the requirements of this regulation not later than the date of the annual, intermediate or renewal survey of the ship to be carried out after 1 July 2004, whichever comes first.”*

**Interpretation**

**• For Single-Hull Tanker to Double-Hull Tanker**

Not relevant.

**• For Single-Hull Tanker to Bulk Carrier/Ore Carrier**

This regulation shall be applied.

**SC  
226**  
(cont)

**SC226.23 — Availability of pumping systems**  
**SOLAS regulation XII/13**

***“Availability of pumping systems***

*(This regulation applies to bulk carriers regardless of their date of construction)*

*1 — On bulk carriers, the means for draining and pumping ballast tanks forward of the collision bulkhead and bilges of dry spaces any part of which extends forward of the foremost cargo hold shall be capable of being brought into operation from a readily accessible enclosed space, the location of which is accessible from the navigation bridge or propulsion machinery control position without traversing exposed freeboard or superstructure decks. Where pipes serving such tanks or bilges pierce the collision bulkhead, valve operation by means of remotely operated actuators may be accepted, as an alternative to the valve control specified in regulation II-1/12, provided that the location of such valve controls complies with this regulation.*

*2 — Bulk carriers constructed before 1 July 2004 shall comply with the requirements of this regulation not later than the date of the first intermediate or renewal survey of the ship to be carried out after 1 July 2004, but, in no case, later than 1 July 2007.”*

**Interpretation**

**• — For Single-Hull Tanker to Double-Hull Tanker**

Not relevant.

**• — For Single-Hull Tanker to Bulk Carrier/Ore Carrier**

This regulation shall be applied.

**SC  
226**  
(cont)

**SC226.24 — Restrictions from sailing with any hold empty**  
**SOLAS regulation XII/14**

*~~“Bulk carriers of 150 m in length and upwards of single-side skin construction, carrying cargoes having a density of 1,780 kg/m<sup>3</sup> and above, if not meeting the requirements for withstanding flooding of any one cargo hold as specified in regulation 5.1 and the Standards and criteria for side structures of bulk carriers of single-side skin construction, adopted by the Organization by resolution MSC.168(79), as may be amended by the Organization, provided that such amendments are adopted, brought into force and take effect in accordance with the provisions of article VIII of the present Convention concerning the amendment procedures applicable to the Annex other than chapter I, shall not sail with any hold loaded to less than 10% of the hold's maximum allowable cargo weight when in the full load condition, after reaching 10 years of age. The applicable full load condition for this regulation is a load equal to or greater than 90% of the ship's deadweight at the relevant assigned freeboard.”~~*

**Interpretation**

~~• For Single-Hull Tanker to Double-Hull Tanker~~

Not relevant.

~~• For Single-Hull Tanker to Bulk Carrier/Ore Carrier~~

This regulation is not applicable.

End of  
Document

# SC 226

(ноябрь  
2008.  
(Ред.1  
декабрь  
2012)

## Унифицированные интерпретации (УТ) МАКО для применения правил СОЛАС к переоборудованиям однокорпусных танкеров (нефтеналивных судов) в двухкорпусные танкеры (нефтеналивные суда) или навалочные суда

### Справочная таблица пояснений к применимости правил Конвенции СОЛАС

№	Правило	Название/содержание	Примечание
1	II-1/1.3	Переоборудования и модификации существенного характера	С поправками по резолюции MSC.216(82)
2	II-1/3.2, 2 & 3.2.4	Защитные покрытия танков, предназначенных для чистого балласта забортной воды, на всех типах судов и пространств двойного корпуса	С поправками по резолюции MSC.216(82)
3	II-1/3-6	Доступ в пространства и внутри них в грузовой зоне нефтяных танкеров и навалочных судов, а также в нос от грузовой зоны	С поправками по резолюции MSC.194(80)
4	II-1/3-8	Буксирное и швартовное оборудование	С поправками по резолюции MSC.194(80)
5	II-1/Part B & Part B-1	Деление на отсеки и остойчивость	С поправками по резолюции MSC.216(82)
6	II-2/1.3	Ремонт, переоборудования, модификации и	
7	III/1.4.2	Переоборудования и модификации существенного	
8	III/31.1.8	Спасательные шлюпки, спасательные плоты и	
9	V/22	Видимость с ходового мостика	
10	XII/4	Требования к аварийной остойчивости, применимые к навалочным судам	
	XII/5.1 and 5.2	Прочность конструкции навалочных судов	
	XII/6.1	Требования к конструкции навалочных судов и	
	XII/6.2	Требования к конструкции навалочных судов и	
	XII/6.3	Требования к конструкции навалочных судов и иные требования	С поправками по резолюции MSC.216(82)
	XII/6.4	Требования к конструкции навалочных судов и иные требования	С поправками по MSC.216(82) Приложение 1
	XII/7.1	Освидетельствование и техническое	
	XII/7.2	Освидетельствование и техническое	
	XII/8	Информация о выполнении требований к навалочным судам	
	XII/9	Требования к навалочным судам, не способным выполнять правило 4.3 из-за конфигурации их грузовых трюмов	
	XII/10	Декларация о плотности навалочного груза	
	XII/11	Прибор контроля загрузки	
	XII/12	Сигнализация о поступлении воды в грузовые,	
	XII/13	Наличие водоотливных систем	
	XII/14	Ограничения в плавании с любым порожним	

---

Примечание:

1. Настоящие УТ должны применяться членами МАКО и Обществами, когда они выступают в качестве признанных организаций, уполномоченных действовать от имени Администраций государств флага по их поручению, если не указано иное, с 1 января 2014 года.

# SC 226

(Продолжен  
ие)

## SC226.1 Переоборудования и модификации существенного характера. Конвенция СОЛАС, Глава II-1, Правило 1.3 (с поправками по резолюции MSC.216(82))

Конвенция СОЛАС, Глава II-1, Правило 1 «Применение»:

«3 После ремонта, переоборудования, модификации и связанного с ними изменения в оборудовании все суда должны, по меньшей мере, отвечать требованиям, предъявлявшимся к ним до этого. *Такие суда, если они построены до даты вступления в силу любых актуальных поправок, должны, как правило, отвечать требованиям, предъявляемым к судам, построенным на эту дату или после нее, по меньшей мере, в той же степени, как до производства такого ремонта, переоборудования, модификации или изменения в оборудовании. В части, подвергаемой капитальному ремонту, переоборудованию, модификации существенного характера и связанному с ними изменению в оборудовании, суда должны отвечать требованиям, предъявляемым к судам, построенным на или после даты вступления в силу любых актуальных поправок, в той мере, в какой Администрация сочтет это целесообразным и практически возможным.»*

### Интерпретация

1. В целях определения применимости требований к судам, построенным на или после даты вступления в силу любых актуальных поправок, датой, на которую проходит переоборудование, должна быть:
  - .1 дата, на которую заключен контракт на переоборудование; или
  - .2 в отсутствие контракта, дата, на которую начата работа, отождествляемая с конкретным переоборудованием.
  - .3 дата завершения переоборудования, если это происходит более чем через три года после даты, указанной в подпункте .1 выше или спустя 30 месяцев после даты, указанной в подпункте 2 выше, либо в зависимости от обстоятельств.
2. В отношении пункта .1 выше действуют следующие правила:
  - .1 В случае когда дата завершения переоборудования подлежит отсрочиванию в период, указанный в пункте 1.3 выше в связи с непредвиденными обстоятельствами, не зависящими от строителя и владельца, дату, на которую контракту, заключенному с конверсией или, если применимо, дата начала работы, отождествляемая с указанным переоборудованием, может быть утверждена Администрацией вместо даты завершения переоборудования. Обслуживание подобных судов рассматривается Администрацией в индивидуальном порядке с учетом конкретных обстоятельства
  - .2 Важно, чтобы суда, одобренные Администрацией в соответствии с положениями подпункта .1 выше, подлежали бы также рассмотрению как таковые со стороны государств порта. Для гарантии вышесказанного Администрацией при рассмотрении заявки на таком судне рекомендуется следующая практика:

.1 Заявки должны рассматриваться Администрацией тщательно от случая к случаю в индивидуальном порядке, с учетом конкретных обстоятельств.

При этом в случае, когда судно подлежит переоборудованию в иностранном государстве, Администрация может потребовать формального отчета от властей страны, в которой судно было переоборудовано, заявляя, что задержка произошла из-за непредвиденных обстоятельств, не зависящих от строителя и владельца;



**SC  
226**

(Продолжение)

- .2 Если судно одобрено Администрацией в соответствии с положениями подпункта .1 выше, информацию о дате переоборудования, аннотируемой на соответствующих сертификатах, должна сопровождаться подстрочными комментариями для указания на одобрение судна Администрацией по причине непредвиденной задержки по завершении положений по переоборудованию настоящей интерпретации, и
- .3 Администрация обязана отправить Организации отчет об идентификации судна и основание одобрения судна, с учетом непредвиденной задержки по завершении положений переоборудования настоящей интерпретации.

**Для переоборудования однокорпусного танкера в двухкорпусный танкер или навалочное судно, применяется следующее:**

- .1 Для целей Главы II-1 Конвенции СОЛАС переоборудования однокорпусных танкеров в двухкорпусные танкеры рассматриваются как модификации существенного характера.
- 2 Ремонт, переоборудования и модификации существенного характера включают:
  - .1 Значительное изменение размерений судна, например: удлинение судна добавлением новой средней части корпуса. Новая вставка должна отвечать требованиям Главы II-1 Конвенции СОЛАС.
  - .2 Изменение типа судна, например, переоборудования танкера в навалочное судно. Любые дополнительные или измененные конструкции, механизмы и системы должны отвечать требованиям Главы II-1 Конвенции СОЛАС с учетом интерпретации Правил Главы II-1, как указано в данном документе.

**SC226.2    Защитные покрытия танков, предназначенных для чистого балласта забортной воды, на всех типах судов и в пространствах двойного корпуса навалочных судов. Конвенция СОЛАС, Глава II-1, Правило 3-2, 2 Правило 3-2, 4 (с поправками по резолюции MSC.216(82))**

**SOLAS Глава II-1, Правило 3-2:**

*“2    Все танки, предназначенные для чистого балласта забортной воды, на судах и в пространствах двойного корпуса, предусмотренных на навалочных судах длиной 150 м и более, должны иметь покрытие, нанесенное при строительстве судна и отвечающее эксплуатационным требованиям к защитным покрытиям для танков, предназначенных для чистого балласта забортной воды, на всех типах судов и в пространствах двойного корпуса навалочных судов, принятых Комитетом по безопасности на море резолюцией MSC.215(82) с поправками, которые могут быть приняты Организацией при условии, что такие поправки принимаются, проводятся в жизнь и вступают в силу в соответствии с положениями Статьи VIII настоящей Конвенции, касающимися процедур внесения поправок, применимых к Приложению, кроме Главы I.”*

and

*“4    Техническое обслуживание системы защитных покрытий должно быть включено в общую судовую схему технического обслуживания. Эффективность системы защитных покрытий должна проверяться в течение срока службы судна Администрацией или организацией, признанной Администрацией, основываясь на руководстве, разработанном Организацией.\*”*

**Интерпретация**

1. Для переоборудования однокорпусного танкера в двухкорпусный танкер, Правило СОЛАС II-1/3-2 (MSC.216(82)) применяется только к танкам, предназначенным для водяного балласта, если все их конструктивные связи полностью новые. Пересмотренное Правило СОЛАС II-1/3-2 (MSC.216(82)) применять не требуется, если при переоборудовании существующих пространств в танки водяного балласта частично сохраняются существующие конструктивные связи. Пересмотренное Правило СОЛАС II-1/3-2 (MSC.216(82)) применять не требуется, если при переоборудовании существующих пространств в танки водяного балласта или пространство двойного корпуса навалочного судна частично сохраняются существующие конструктивные связи. Тем не менее, танки, предназначенные для водяного балласта, должны иметь эффективные системы защиты от коррозии, такие как жесткие защитные покрытия или эквивалент и быть светлого цвета.
2. Для переоборудования однокорпусного танкера в двухкорпусный танкер, Правило СОЛАС II-1/3-2 (MSC.216(82)) применяется только к танкам, предназначенным для водяного балласта и пространств двойного корпуса навалочного судна, если все их конструктивные связи полностью новые. Пересмотренное Правило СОЛАС II-1/3-2 (MSC.216(82)) применять не требуется, если при переоборудовании существующих пространств в танки водяного балласта или пространство двойного корпуса навалочного судна частично сохраняются существующие конструктивные связи. Тем не менее, танки, предназначенные для водяного балласта, должны иметь эффективные системы защиты от коррозии, такие как жесткие защитные покрытия или эквивалент и быть светлого цвета.

**SC  
226**(Прод  
олжен  
ие)

**SC226.3 Доступ в пространства и внутри них в грузовой зоне нефтяных танкеров и навалочных судов, а также в нос от грузовой зоны.**

**Конвенция СОЛАС, Глава II-1, Правило 3-6 (с поправками по резолюции MSC.194(80))**

*Правила здесь не приводятся.*

**Интерпретация****1. Для переоборудования однокорпусного танкера в двухкорпусный танкер**

1.1 Постоянные средства доступа, указанные в таблице 1 Технических положений о средствах доступа для проверок (резолюция MSC.158(78)), применять не требуется. Однако, если в ходе переоборудования добавлены значительные новые конструкции, то последние должны отвечать требованиям Правила.

1.2 Термин «значительные новые конструкции» означает корпусные конструкции, которые полностью обновлены или дополнены новыми конструкциями двойного дна и/или двойного борта (например, замена всей конструкции в пределах грузовой зоны или добавление нового двойного дна и/или секции двойного борта к существующей грузовой зоне).

1.3 Кроме того, должно быть предусмотрено одобренное наставление по доступу.

**2. Для переоборудования однокорпусного танкера в навалочное судно**

2.1 Постоянные средства доступа, указанные в таблице 2 Технических положений о средствах доступа для проверок (резолюция MSC.158(78)), применять не требуется. Однако, если в ходе переоборудования добавлены значительные новые конструкции, то последние должны отвечать требованиям Правила.

2.2 Термин «значительные новые конструкции» означает корпусные конструкции, которые полностью обновлены или дополнены новыми конструкциями двойного дна и/или двойного борта (например, замена всей конструкции в пределах грузовой зоны или добавление новой секции двойного дна и/или двойного борта к существующей грузовой зоне).

2.3 Кроме того, должно быть предусмотрено одобренное наставление по доступу.

**SC  
226**

(Прод  
олжен  
ие)

Буксирное и швартовное оборудование  
**Конвенция СОЛАС, Глава II-1, Правило 3-8 (с поправками по  
резолюции MSC.194(80))**

*Правило здесь не приводится.*

**Интерпретация**

**Для переоборудования однокорпусного танкера в двухкорпусный танкер или навалочное судно**

**Это правило должно применяться, когда оборудование и устройства для швартовки / буксировка замененные, измененные или безопасной рабочей нагрузки существующего оборудования и арматуры не известно. Где последний не может быть установлено, альтернативная соблюдения Конвенции СОЛАС II-1/3-8 следует искать (например, оборудование должно быть заменено, испытано или изменения).**

**SC  
226**

(Продолжен  
ие)

**SC226.5 Деление на отсеки и остойчивость  
Конвенция СОЛАС, Глава II-1, Часть В и Часть В-1 (с поправками по  
резолюции MSC.216(82))**

*Правило здесь не приводится.*

**Интерпретация****1. Для переоборудования однокорпусного танкера в двухкорпусный танкер**

Так как нефтяные танкеры должны отвечать требованиям Конвенции МАРПОЛ 73/78, Приложение I, то требования к аварийной остойчивости Конвенции СОЛАС, Главы II-1, Части В-1. могут не применяться. (за исключением комбинированных с надводным бортом типа В).

**2. Для переоборудования однокорпусного танкера в навалочное судно**

2.1 К навалочному судну, которому назначен уменьшенный надводный борт, как для судна типа «В», применима Международная конвенция о грузовой марке 1966 года, Правило 27 (аварийная остойчивость) или Протокол 1988 года к Международной конвенции о грузовой марке 1966 года, Правило 27 (аварийная остойчивость). По существу, требования Конвенции СОЛАС, Глава II-1, Части В, В-1 могут не применяться.

2.2 К навалочному судну, которому назначен надводный борт, как для судна типа «В», применимы требования Конвенции СОЛАС, Глава II-1, Части В, В-1.

**SC  
226**

(Прод  
олжен  
ие)

**SC226.6 Ремонт, переоборудования, модификации и изменения в оборудовании.****Конвенция СОЛАС, Глава II-2, Правило 1.3****Конвенция СОЛАС, Глава II-2, Правило 1.3 'Ремонт, переоборудования, модификации и изменения в оборудовании':**

*“3.1 После ремонта, переоборудования, модификации и связанного с ними изменения в оборудовании все суда должны, по меньшей мере, отвечать требованиям, предъявлявшимся к ним до этого. Такие суда, если они построены до 1 июля 2002 года, должны, как правило, отвечать требованиям, предъявляемым к судам, построенным на эту дату или после нее, по меньшей мере, в той же степени, как до производства такого ремонта, переоборудования, модификации или изменения в оборудовании.*

*3.2 В части, подвергаемой капитальному ремонту, переоборудованию и модификации, которые существенно меняют размерения судна или жилые помещения пассажиров, или существенно увеличивают срок службы судна и связанного с ним оборудования, суда должны отвечать требованиям, предъявляемым к судам, построенным на или после 1 июля 2002 года, в той мере, в какой Администрация сочтет это целесообразным и практически возможным.»*

**Интерпретация**

Применительно к однокорпусным танкерам, прошедшим переоборудование в двухкорпусные или навалочные суда, новые и прошедшие переоборудование объекты должны отвечать последним предъявляемым требованиям.

**SC226.7 Переоборудования и модификации существенного характера.  
Конвенция СОЛАС, Глава III, Правило 1.4.2**

Конвенция СОЛАС, Глава III, Правило 1 'Применение':

*"4 Для судов, построенных до 1 июля 1998 года, Администрация должна:**.1 .....; и**.2 обеспечить при замене спасательных средств или устройств на таких судах или при ремонте, переоборудовании или модификации существенного характера таких судов, которые включают замену или дополнения к их существующим спасательным средствам или устройствам, чтобы такие спасательные средства или устройства отвечали требованиям настоящей главы в той мере, насколько это целесообразно и практически возможно. Однако, если коллективное спасательное средство, иное чем надувной спасательный плот, заменяется без замены его спускового устройства, или наоборот, то коллективное спасательное средство или спусковое устройство должны быть такого же типа, как и заменяемые.»***Интерпретация**

Применительно к однокорпусным танкерам, прошедшим переоборудование в двухкорпусные или навалочные суда, настоящее считается переоборудованием или модификацией существенного характера.

**SC  
226**

(Продолжение)

**SC226.8 Спасательные шлюпки, спасательные плоты и дежурные шлюпки  
Конвенция СОЛАС, Глава III,  
Правило 31.1.8**

Конвенция СОЛАС, Глава III, Правило 31 'Спасательные шлюпки, спасательные плоты и дежурные шлюпки':

*"1.2 Вместо соблюдения требований пункта 1.1, грузовые суда могут иметь:*

- .1 одну или более свободнопадающих спасательных шлюпок, отвечающих требованиям раздела 4.7 Кодекса, которые могут быть спущены методом свободного падения с кормы судна, общей вместимостью, достаточной для размещения общего числа находящихся на борту людей; и*
- .2 кроме того, на каждом борту один или более надувных или жестких спасательных плотов, отвечающих требованиям разделов 4.2 или 4.3 Кодекса, общей вместимостью, достаточной для размещения общего числа находящихся на борту людей. По меньшей мере, на одном борту спасательные плоты должны обслуживаться спусковыми устройствами.»*

и

*"1.8 Несмотря на требования пункта 1.1, навалочные суда, так как они определены в Правиле IX/1.6, построенные на или после 1 июля 2006 года, должны отвечать требованиям пункта 1.2."*

**Интерпретация**

1. Для однокорпусного танкера, прошедшего переоборудование в двухкорпусный танкер, настоящее Правило не применимо.
2. Для однокорпусных танкеров после переоборудования в навалочные суда, требования Правила Конвенции СОЛАС III/31.1.8 соблюдаются в отношении как новых судов, кроме случаев, когда свободного места для установки и / или спуска свободнопадающей спасательной шлюпки не достаточно в соответствии с Правилем III/31.1.2.1, в данном случае для определения - принимать установленный порядок либо нет - необходимо связываться с Администрацией.



**SC226.9 Видимость с ходового мостика**  
**Конвенция СОЛАС, Глава V, Правило 22**

*Правило здесь не приводится.*

**Интерпретация**

Для переоборудования однокорпусного танкера в двухкорпусный танкер или навалочное судно, стандарт видимости, применимый к судну до переоборудования, считается приемлемым как равноценный для случая загрузки в балласте после переоборудования. Если в конструкцию носовой оконечности внесены какие-либо изменения, используемые для установления минимальной видимости с ходового мостика, то требуется обеспечить соответствие требованиям Конвенции СОЛАС, Правило V/22.

**SC226.10** Требования к остойчивости в поврежденном состоянии навалочных судов. Конвенция СОЛАС, Правило XII/4, прочность конструкции навалочных судов, Правила СОЛАС XII/5.1 и 5.2, требования к конструкции навалочных судов и иные требования, Правила СОЛАС XII/6.1, XII/6.2, XII/6.3 (MSC.216(82) Приложение 1) и XII/6.4 (MSC.216(82) Приложение 1), освидетельствование, техническое обслуживание и ремонт навалочных судов, Правила СОЛАС XII/7.1 и XII/7.2, информация о выполнении требований к навалочным судам, Правила СОЛАС XII/8, требования к навалочным судам, не способным выполнять правило 4.3 из-за конфигурации их грузовых трюмов, Правило СОЛАС XII/9, декларация о плотности навалочного груза, Правило СОЛАС XII/10, Прибор для определения нагрузки, Правило СОЛАС XII/11, Сигнализация о поступлении воды в трюмы, балластные танки и другие помещения, Правило СОЛАС XII/12, Возможность использования балластных систем, Правило СОЛАС XII/13, Ограничения на выход в море с каким-либо порожним трюмом, Правило СОЛАС XII/14

*Правила здесь не приводятся.*

### Интерпретация

1. Для однокорпусного танкера, прошедшего переоборудование в двухкорпусный танкер, настоящее Правило не применимо.
2. Для переоборудования однокорпусного танкера в двухкорпусный танкер или навалочное судно, положения главы XII, применимые к судам, построенным на дату или после даты, на которую происходит переоборудование, должны предъявляться как к новому судну навалочному судну в целом, т.е. ко всем новым и существующим частям и пространствам согласно таблице ниже.

Таблица применения Правил СОЛАС, Главы XII к однокорпусным танкерам и навалочным судам

Правило	Соответствие	Примечание
4.1	Применить	
4.2	Применить на основе Унифицированных интерпретаций Правил СОЛАС XII/4.2 и XII/5.2	
4.3	Не применимо	
4.4	Не применимо	На это правило ссылка в правилах 4.1 и 4.2
4.5	Не применимо	
4.6	Применить	
4.7	Применить	
5.1	Применить	
5.2	Применить на основе Унифицированных интерпретаций Правил СОЛАС XII/4.2 и XII/5.2	
6.1	Не применимо	
6.2	Применить	
6.3	Применить	
6.4	Применить	
7.1	Не применимо Тем не менее Правило СОЛАС XI-1/2 не	
7.2	Применить	
8.1	Применить	
8.2	Не применимо	
8.3	Не применимо	
9	Не применимо	
10.1	Применить	
10.2	Не применимо	
11.1	Применить	
11.2	Не применимо	
11.3	Применить	
12.1	Применить	
12.2	Применить	
12.3	Не применимо	
13.1	Применить	
13.2	Не применимо	
14	Не применимо	

Конец  
документа

# SC234 Initial Statutory Surveys at New Construction

(Apr 2009)

## 1. Scope<sup>1</sup>

### LL76

(Apr 2009)

The scope of this UI is to define the requirements for the initial statutory surveys at new construction as detailed in IMO Resolution A.997(25), which are not addressed in UR Z23 for the following as applicable:-

### MPC96

(Apr 2009)

- (i) International Load Line Certificate (1966)
- (ii) Cargo Ship Safety Equipment Certificate
- (iii) International Oil Pollution Prevention Certificate

This UI only covers the survey activities required and does not cover the technical interpretations of the statutory requirements or approval of plans, designs and manuals required by the Regulations.

2. This UI does not cover the requirements for type approval or certification at vendor's works and for which evidence of acceptance is to be provided as indicated in the survey tables.

## 3. Definitions used in the survey tables

Survey Item	A description of the survey item considered
Origin of the Requirement	Applicable Statutory Regulation
Approved Drawings /Documentation	Indicates whether approved drawings/documentation is required
Conformity Verification	This verification may consist of an examination of the certificate, a check of the marks or, for products which require type approval, to verify conformity of the product with the approved prototype or certification with Flag Administration requirements
Survey during construction or installation	Indicates whether the witness by surveyor of construction and installation on board is required
Tightness Testing	Indicates whether tightness testing is required to be witnessed by the surveyor for survey item
Survey after construction or installation	Indicates whether the survey item is examined by the Surveyor after completion of its construction and installation on board
Function Test	Indicates whether a survey item or system is to be subjected to a functioning and/or performance test or trial in the presence of a Surveyor after installation on board

<sup>1</sup>Note: This UI is to be uniformly implemented by IACS Societies on ships contracted for construction (as defined in IACS PR 29) from 1st July 2010.

**SC234**

(cont)

Onboard Verification of documentation	Indicates whether the required documentation is to be verified on board by the surveyor
Series of Vessels	As defined by IACS PR 29

**LL76**

(cont)

**MPC96**

(cont)

**4. Application**

This UI applies to all vessels for which the statutory certificates listed in paragraph 1 are to be issued at new construction by IACS Societies.

**5. Interpretation of the survey requirements are given in Appendix 1**

Table 1 – Safety Equipment

Table 2 – Load Line

Table 3 – MARPOL Annex 1

6. Specific flag administration requirements, if any, supersede the requirements contained in this UI.

**7. Qualification and monitoring of personnel**

The surveys required by this UI shall be carried out by exclusive surveyors of the classification society, as defined in PR5. The surveyors are to be qualified to be able to carry out the tasks and procedures are to be in place to ensure that their activities are monitored. Details are specified in PR6 and PR7.

**8. Inspection and test plan for new building activities**

The shipbuilder is to provide inspection and test plans for the items which are required to be surveyed and/or tested prior to the commencement of the surveys and/or test.

**9. Product and Type Approval Certificates**

The shipbuilder is to provide product and type approval certificates for the applicable items listed in Appendix 1 to be placed on board.

**10. Proof of the consistency of surveys**

The classification society is to be able to provide evidence, e.g. through records, check lists, inspection and test records, etc. that its surveyors have complied with the requirements of this UI.

**Enclosure: Appendix 1**

## Appendix 1 to Uls SC234, LL76 & MPC96

### 1. Description

COLUMN 1	A.997(25) Requirements	
COLUMN 2	Survey Item	A description of the survey item considered
COLUMN 3	Origin of the Requirement	Applicable Statutory Regulation
COLUMN 4	Correspondence with Approved Drawings/Documentation	Indicates whether approved drawings/documentation is required
COLUMN 5	Conformity Verification	This verification may consist of an examination of the certificate, a check of the marks or, for type approved products, to verify conformity of the product with the approved prototype or certification with National Requirements
COLUMN 6	Survey during construction or installation	Indicates whether the witness by surveyor of fabrication and installation on board is required
COLUMN 7	Tightness Testing	Indicates whether tightness testing is required to be witnessed by the surveyor for survey item
COLUMN 8	Survey after construction or installation	Indicates whether the survey item is examined by the Surveyor after completion of its installation on board and/or
COLUMN 9	Function Test	Indicates whether a system is to be subjected to a functioning and/or performance test or trial in the presence of a Surveyor after installation on board
COLUMN 10	Onboard Verification of documentation	Indicates whether the required documentation is to be verified on board by the surveyor

**Table 1. Safety Equipment**

	A.997(25) REQUIREMENT	SURVEY ITEM	ORIGIN OF THE REQUIREMENT	CORRESPONDENCE WITH APPROVED DRAWINGS / DOCUMENTATION	CONFORMITY VERIFICATION	INSPECTIONS DURING INSTALLATION	INSPECTION AFTER INSTALLATION	ONBOARD VERIFICATION OF DOCUMENTATION	FUNCTION TEST
(EI) 1.1.3.1	examining the fire pumps and fire main and the disposition of the hydrants, hoses and nozzles and the international shore connection and checking that each fire pump, including the emergency fire pump, can be operated separately so that two jets of water are produced simultaneously from different hydrants at any part of the ship whilst the required pressure is maintained in the fire main	Fire Pumps	(SOLAS 74/00 reg.II-2/10.2 FSSC chs.2 and 12) (SOLAS 74/88 regs.II-2/4 and 19)	X	X		X		X
		Fire Mains		X				X	
		Hydrants		X			X		
		Hoses and Nozzles		X	X		X		
		International Shore Connection		X			X		
(EI) 1.1.3.2	examining the provision and disposition of the fire extinguishers	Fire Extinguishers	(SOLAS 74/00 reg.II-2/10.3 FSSC ch.4) (SOLAS 74/88 reg.II-2/17)	X	X		X		
(EI) 1.1.3.3	examining the fire fighters' outfits and emergency escape breathing devices - EEBDs -	Fire Fighters' Outfits	(SOLAS 74/00 regs.II-2/10.10, 13.3.4 and 13.4.3 FSSC ch.3) (SOLAS 74/88 reg.II-2/17)	X	X		X		
		EEBDs - Emergency Escape Breathing Devices		X	X		X		
(EI) 1.1.3.4	checking the operational readiness and maintenance of fire-fighting systems	Operational Readiness and Maintenance of Fire-fighting System	(SOLAS 74/00 reg.II-2/14) (SOLAS 74/88 reg.II-2/21)					X	
(EI) 1.1.3.5	examining the fixed fire-fighting system for the machinery, cargo, vehicle, special category and ro-ro spaces, as appropriate, and confirming that the installation tests have been satisfactorily completed and that its means of operation are clearly marked	Fixed Fire fighting systems	(SOLAS 74/00 regs.II-2/10.4, 10.5, 10.7 and 20.6.1, FSSC chs.5 to 7) (SOLAS 74/88 regs.II-2/7 and 53)	X	X		X	X	X

	A.997(25) REQUIREMENT	SURVEY ITEM	ORIGIN OF THE REQUIREMENT	CORRESPONDENCE WITH APPROVED DRAWINGS / DOCUMENTATION	CONFORMITY VERIFICATION	INSPECTIONS DURING INSTALLATION	INSPECTION AFTER INSTALLATION	ONBOARD VERIFICATION OF DOCUMENTATION	FUNCTION TEST
(EI) 1.1.3.6	examining the fire-extinguishing and special arrangements in the machinery spaces and confirming, as far as practicable and as appropriate, the operation of the remote means of control provided for the opening and closing of the skylights, the release of smoke, the closure of the funnel and ventilation openings, the closure of power operated and other doors, the stopping of ventilation and boiler forced and induced draft fans and the stopping of oil fuel and other pumps that discharge flammable liquids	Remote means of opening and closing of Skylights	(SOLAS 74/00 regs.II-2/5.2, 8.3, 9.5 and 10.5) (SOLAS 74/88 regs.II-2/7 and 11)	X					X
		Fire Dampers and Funnel opening		X	X				X
		Closure of power operated and other doors		X	X				X
		remote stops for ventilation and boiler fans		X					X
		remote stops for FO pumps		X					X
(EI) 1.1.3.7	examining any fire detection and alarm system and any automatic sprinkler, fire detection and fire alarm system and confirming that installation tests have been satisfactorily completed	Fixed Fire Detection System	(SOLAS 74/00 regs.II-2/7.2, 7.3, 7.4, 7.5.1, 7.5.5, 19.3.3 and 20.4; FSSC ch.9) (SOLAS 74/88 regs.II-2/11, 13, 14, 53 and 54)	X	X		X		X
		Fire Alarm System		X	X		X		X
		Automatic Sprinkler		X	X		X		X
(EI) 1.1.3.8	examining the fire-extinguishing system for spaces containing paint and/or flammable liquids and deep-fat cooking equipment in accommodation and service spaces and confirming that installation tests have been satisfactorily completed and that its means of operation are clearly marked	Spaces containing Paint and/or flammable liquids: Fire Extinguishing System	(SOLAS 74/00 regs.II-2/10.6.3 and 10.6.4; FSSC chs.4 to 7) (SOLAS 74/88 reg.II-2/18.7)	X			X		
		Deep-Fat Cooking Equipment in Accommodation: Fire Extinguishing System		X			X		
(EI) 1.1.3.9	examining the arrangements for remote closing of valves for oil fuel, lubricating oil and other flammable oils and confirming, as far as practicable and as appropriate, the operation of the remote means of closing the valves on the tanks that contain oil fuel, lubricating oil and other flammable oils	Remote Closing Valves for: Oil Fuel	(SOLAS 74/00 reg.II-2/4.2.2.3.4) (SOLAS 74/88 reg.II-2/15.2.5)	X					X
		Remote Closing Valves for: Lubricating Oil		X					X
		Remote Closing Valves for: Other Flammable Oils		X					X



	A.997(25) REQUIREMENT	SURVEY ITEM	ORIGIN OF THE REQUIREMENT	CORRESPONDENCE WITH APPROVED DRAWINGS / DOCUMENTATION	CONFORMITY VERIFICATION	INSPECTIONS DURING INSTALLATION	INSPECTION AFTER INSTALLATION	ONBOARD VERIFICATION OF DOCUMENTATION	FUNCTION TEST
(EI) 1.1.3.10	examining the fire protection arrangements in cargo, vehicle and ro-ro spaces and confirming, as far as practicable and as appropriate, the operation of the means for closing the various openings	Fire Detection and Alarm system	(SOLAS 74/00 regs.II-2/10.7, 20.2.1, 20.3 and 20.6.2) (SOLAS 74/88 reg.II-2/53)	X	X		X		X
		Fixed Fire Extinguishing System		X					X
		Structural Fire Protection		X	X		X		
		Precaution against ignition of flammable vapours in closed vehicle spaces, closed ro-ro spaces and special category spaces		X			X		X
(EI) 1.1.3.11	examining, when appropriate, the special arrangements for carrying dangerous goods, including checking the electrical equipment and wiring, the ventilation, the provision of protective clothing and portable appliances and the testing of the water supply, bilge pumping and any water spray system	Water Supply	(SOLAS 74/00 reg.II-2/19 (except 19.3.8, 19.3.10 and 19.4) FSSC chs.9 and 10) (SOLAS 74/88 reg.II-2/54)	X					X
		Sources of Ignition		X	X		X		
		Detection System		X	X				X
		Ventilation		X			X		
		Bilge system		X					X
		Personnel Protection		X	X		X		
		Fire Extinguishers		X	X		X		
		Insulation of Machinery space boundaries		X	X		X		
Water Spray System	X	X	X	X			X		
(EI) 1.1.3.12	checking the provision and disposition of the survival craft, where applicable, marine evacuation systems and rescue boats	Survival Craft Provision and Disposition	(SOLAS 74/88 regs.III/11 to 16 and 31; LSAC section 6.2)	X	X		X		
		Rescue Boat Provision and Disposition		X	X		X		
		Marine Evacuation Systems Provision and Disposition		X	X		X		
(EI) 1.1.3.13	deployment of 50% of the MES after installation	Deployment of Marine Evacuation Systems	(LSAC paragraph 6.2.2.2)						X

	A.997(25) REQUIREMENT	SURVEY ITEM	ORIGIN OF THE REQUIREMENT	CORRESPONDENCE WITH APPROVED DRAWINGS / DOCUMENTATION	CONFORMITY VERIFICATION	INSPECTIONS DURING INSTALLATION	INSPECTION AFTER INSTALLATION	ONBOARD VERIFICATION OF DOCUMENTATION	FUNCTION TEST
(EI) 1.1.3.14	examining each survival craft, including its equipment	Survival Craft Design	(SOLAS 74/88 reg.III/31 LSAC sections 2.5, 3.1 to 3.3 and 4.1 to 4.9)		X		X		
		Survival Craft Engine			X			X	
		Survival Craft Equipment			X		X		X
(EI) 1.1.3.15	examining the embarkation arrangements for each survival craft and the testing of each launching appliance, including overload tests, tests to establish the lowering speed and the lowering of each survival craft to the water with the ship at its lightest sea-going draught, and, where applicable, launching underway at 5 knots, checking the recovery of each lifeboat	Survival Craft Launching and Recovery appliances	(SOLAS 74/00 regs.III/11, 12, 13, 16, 31 and 33 LSAC section 6.1)		X		X		X
		Survival Craft Embarkation Arrangements			X		X		X
(EI) 1.1.3.16	examining the embarkation arrangements for each marine evacuation device, where applicable, and the launching arrangements, including inspection for lack of side shell opening between the embarkation station and waterline, review of distance to the propeller and other life-saving appliances and ensuring that the stowed position is protected from heavy weather damage, as much as practicable	MES Launching and Recovery appliances	(SOLAS 74/00 reg.III/15; LSAC section 6.2)	X	X		X		X
		MES Embarkation Arrangements		X			X		
(EI) 1.1.3.17	examining each rescue boat, including its equipment	Rescue Boat Design	(SOLAS 74/88 reg.III/31; LSAC sections 2.5, 5.1 and 6.1)		X		X		
		Rescue Boat Engine			X		X		X
		Rescue Boat Equipment			X		X		
(EI) 1.1.3.18	examining the embarkation and recovery arrangements for each rescue boat and testing each launching and recovery appliance, including overload tests, tests to establish the lowering and recovery speeds and ensuring that each rescue boat can be lowered to the water and recovered with the ship at its lightest sea-going draught, launching underway at 5 knots	Rescue Boat Launching and Recovery appliances and Arrangements	(SOLAS 74/88 regs.III/14, 17 and 31; LSAC section 6.1)		X		X		X
(EI) 1.1.3.19	testing that the engine of the rescue boat(s) and of each lifeboat, when so fitted, start satisfactorily and operate both ahead and astern	Test of engines of lifeboat and Rescue Boat	(SOLAS 74/00 reg.III/19)						X
(EI) 1.1.3.20	confirming that there are posters or signs in the vicinity of survival craft and their launching stations and containers, brackets, racks and other similar stowage locations for life-saving equipment	Posters or Signs	(SOLAS 74/88 regs.III/9 and 20)				X		

	A.997(25) REQUIREMENT	SURVEY ITEM	ORIGIN OF THE REQUIREMENT	CORRESPONDENCE WITH APPROVED DRAWINGS / DOCUMENTATION	CONFORMITY VERIFICATION	INSPECTIONS DURING INSTALLATION	INSPECTION AFTER INSTALLATION	ONBOARD VERIFICATION OF DOCUMENTATION	FUNCTION TEST
(EI) 1.1.3.21	examining the provision and stowage and checking the operation of portable on board communications equipment, if provided, and two-way VHF radiotelephone apparatus and radar transponders	Two-way VHF radiotelephone apparatus	(SOLAS 74/88 regs.II-2/12.2 and III/6)		X		X		X
		Radar Transponders			X		X		X
(EI) 1.1.3.22	examining the provision and stowage of the distress flares and the line-throwing appliance, checking the provision and operation of fixed on board communications equipment, if provided, and testing the means of operation of the general alarm system	Distress Flares and Line-Throwing Appliances	(SOLAS 74/00 regs.III/6 and 18; LSAC sections 3.1, 7.1 and 7.2)		X		X		
		On board Communications equipment			X		X		X
		General Alarm System		X			X		X
(EI) 1.1.3.23	examining the provision, disposition and stowage of the lifebuoys, including those fitted with self-igniting lights, self-activating smoke signals and buoyant lines, lifejackets, and immersion suits	Lifebuoys	(SOLAS 74/00 regs.III/7 and 32 to 37; LSAC sections 2.1, 2.5 and 3.3)	X	X		X		
		Lifebuoys fitted with self-igniting lights		X	X		X		
		Lifebuoys fitted with self-activating smoke signals		X	X		X		
		Lifebuoys fitted with buoyant lines		X	X		X		
		Lifejackets		X	X		X		
		Immersion suits		X	X		X		
		Anti-exposure suits		X	X		X		

	A.997(25) REQUIREMENT	SURVEY ITEM	ORIGIN OF THE REQUIREMENT	CORRESPONDENCE WITH APPROVED DRAWINGS / DOCUMENTATION	CONFORMITY VERIFICATION	INSPECTIONS DURING INSTALLATION	INSPECTION AFTER INSTALLATION	ONBOARD VERIFICATION OF DOCUMENTATION	FUNCTION TEST
(EI) 1.1.3.24	checking the lighting of the muster and embarkation stations and the alleyways, stairways and exits giving access to the muster and embarkation stations, including when supplied from the emergency source of power	Muster and Embarkation Station Lighting	(SOLAS 74/88 regs.II-1/43 and III/11)				X		X
		Alleyways and Stairways Lighting					X		X
		Exits giving Access to the Muster and Embarkation Stations Lighting					X		X
		Muster and Embarkation Station Lighting from Emergency Source of Power					X		X
		Alleyways and Stairways Lighting from Emergency Source of Power					X		X
		Exits giving Access to the Muster and Embarkation Stations Lighting from Emergency Source of Power					X		X
(EI) 1.1.3.25	examining the provision and positioning and checking the operation of, as appropriate, the navigation lights, shapes and sound signalling equipment	Navigation Lights	(International Regulations for Preventing Collisions at Sea (COLREG) in force, regs.20 to 24, 27 to 30 and 33)	X	X		X		X
		Shapes and Sounds signalling equipment			X		X		X
(EI) 1.1.3.26	checking that the minimum safe distances from the steering and standard magnetic compasses for all electrical equipment are complied with	Bridge	(SOLAS 74/00 regs.V/17 and 19)				X		
(EI) 1.1.3.27	checking the electromagnetic compatibility of electrical and electronic equipment on or in the vicinity of the bridge	Bridge	(SOLAS 74/00 reg.V/17)		X		X		

	A.997(25) REQUIREMENT	SURVEY ITEM	ORIGIN OF THE REQUIREMENT	CORRESPONDENCE WITH APPROVED DRAWINGS / DOCUMENTATION	CONFORMITY VERIFICATION	INSPECTIONS DURING INSTALLATION	INSPECTION AFTER INSTALLATION	ONBOARD VERIFICATION OF DOCUMENTATION	FUNCTION TEST
(EI) 1.1.3.28	checking, as appropriate, the provision and operation of the following ship borne navigational systems equipment								
(EI) 1.1.3.28 .1	the magnetic compass, including examining the sighting, movement, illumination and a pylorus or compass bearing device	Navigation Equipment: Magnetic Compass	(SOLAS 74/00 reg. V/19)		X		X		
		Navigation Equipment: Pylorus or Compass Bearing Device			X				X
(EI) 1.1.3.28 .2	nautical charts and nautical publications necessary for the intended voyage are available and have been updated, and, where electronic systems are used, the electronic charts have been updated and the required back-up system is provided and updated	Navigation Equipment: ECDIS including back-up arrangements	(SOLAS 74/00 reg. V/19)		X				X
		Nautical Charts and Nautical Publications					X		
(EI) 1.1.3.28 .3	global navigation satellite system receiver or terrestrial radio navigation system	Navigation Equipment: GNSS receiver			X				X
(EI) 1.1.3.28 .4	sound reception system, when bridge is totally enclosed	Navigation Equipment: Sound Reception System			X				X
(EI) 1.1.3.28 .5	means of communication to emergency steering position, where provided	Navigation Equipment: Means of communication with Emergency Steering Position		X	X				X
(EI) 1.1.3.28 .6	spare magnetic compass	Navigation Equipment: Spare Magnetic Compass			X		X		
(EI) 1.1.3.28 .7	daylight signalling lamp	Navigation Equipment: Daylight Signalling Lamp			X				X
(EI) 1.1.3.28 .8	echo sounding device	Navigation Equipment: Echo-sounding Device			X				X
(EI) 1.1.3.28 .9	radar reflector	Navigation Equipment: radar reflector			X		X		

	A.997(25) REQUIREMENT	SURVEY ITEM	ORIGIN OF THE REQUIREMENT	CORRESPONDENCE WITH APPROVED DRAWINGS / DOCUMENTATION	CONFORMITY VERIFICATION	INSPECTIONS DURING INSTALLATION	INSPECTION AFTER INSTALLATION	ONBOARD VERIFICATION OF DOCUMENTATION	FUNCTION TEST
(EI) 1.1.3.28 .10	radar(s), including examining the waveguide and cable runs for routing and protection and the display unit confirming lighting, correct operation of all controls, and functions	Navigation Equipment: Radar Installations			X		X		X
(EI) 1.1.3.28 .11	electronic plotting aid, automatic tracking aid or automatic radar plotting aid as appropriate, using the appropriate test facilities	Navigation Equipment: Electronic Plotting Aid			X				X
		Navigation Equipment: Automatic Tracking aid(s) or Automatic Radar Plotting Aid			X				X
(EI) 1.1.3.28 .12	speed and distance measuring devices "through the water" and "over the ground"	Navigation Equipment: Speed and Distance measuring Device			X				X
(EI) 1.1.3.28 .13	transmitting heading device providing heading information to radar, plotting aids and automatic identification system equipment and voyage data recorder	Navigation Equipment: Transmitting Heading Device			X				X
(EI) 1.1.3.28 .14	automatic identification system	Navigation Equipment: AIS Automatic Identification System			X				X
(EI) 1.1.3.28 .15	gyrocompass, including examining the alignment of the master and all repeaters	Navigation Equipment: Gyro Compass			X				X
		Navigation Equipment: Gyro Compass Repeaters			X				X
(EI) 1.1.3.28 .16	rudder angle indicator	Navigation Equipment: Rudder Angle Indicator			X				X
(EI) 1.1.3.28 .17	propeller rate of revolution indicator	Navigation Equipment: Propeller rate of Revolution Indicator			X				X
(EI) 1.1.3.28 .18	propeller, operational mode, thrust, and pitch indicator	Navigation Equipment: Variable-Pitch propeller pitch and operational mode indicator			X				X
(EI) 1.1.3.28 .19	rate-of-turn indicator	Navigation Equipment: Rate of Turn Indicator			X				X

	A.997(25) REQUIREMENT	SURVEY ITEM	ORIGIN OF THE REQUIREMENT	CORRESPONDENCE WITH APPROVED DRAWINGS / DOCUMENTATION	CONFORMITY VERIFICATION	INSPECTIONS DURING INSTALLATION	INSPECTION AFTER INSTALLATION	ONBOARD VERIFICATION OF DOCUMENTATION	FUNCTION TEST
(EI) 1.1.3.28 .20	heading or track control system	Navigation Equipment: Heading or Track Control System			X				X
(EI) 1.1.3.29	checking for the provision and operation of the voyage data recorder	VDR - Voyage Data Recorder	(SOLAS 74/00 reg.V/20)		X				X
(EI) 1.1.3.31	checking navigation bridge visibility	Navigation Bridge Visibility	(SOLAS 74/00 reg.V/22)	X					
(EI) 1.1.3.32	checking the provision and, as appropriate, the deployment or operation of the pilot ladders and hoists/pilot transfer arrangements	Pilot ladders and hoists/pilot transfer arrangements	(SOLAS 74/00 reg.V/23)	X	X		X		X
(EI) 1.1.4.1	checking the deck foam system, including the supplies of foam concentrate, and testing that the minimum number of jets of water at the required pressure in the fire main is obtained (see (EI) 1.1.3.1) when the system is in operation	Deck Foam System: Foam Tanks	(SOLAS 74/00 reg.II-2/10.8; FSSC ch.15) (SOLAS 74/88 reg.II-2/61)	X			X		
		Deck Foam System: Monitors			X		X		X
		Deck Foam System: Applicators			X		X		X
		Deck Foam System: Foam Concentrates			X				
(EI) 1.1.4.2	examining the inert gas system and in particular:	Cargo Tank Protection: Venting	(SOLAS 74/00 reg.II-2/4.5.5; FSSC ch.15) (SOLAS 74/88 reg.II-2/62)	X	X				
(EI) 1.1.4.2. 1	examining externally for any sign of gas or effluent leakage	Signs of Gas or effluent Leakage					X		X
(EI) 1.1.4.2. 2	confirming the proper operation of both inert gas blowers	Inert Gas Blowers							X
(EI) 1.1.4.2. 3	observing the operation of the scrubber-room ventilation system	Scrubber Room Ventilation							X
(EI) 1.1.4.2. 4	checking the deck water seal for automatic filling and draining	Deck Water Seal					X		X

	A.997(25) REQUIREMENT	SURVEY ITEM	ORIGIN OF THE REQUIREMENT	CORRESPONDENCE WITH APPROVED DRAWINGS / DOCUMENTATION	CONFORMITY VERIFICATION	INSPECTIONS DURING INSTALLATION	INSPECTION AFTER INSTALLATION	ONBOARD VERIFICATION OF DOCUMENTATION	FUNCTION TEST
(EI) 1.1.4.2. 5	examining the operation of all remotely operated or automatically controlled valves and, in particular, the flue gas isolating valves	Remote or Automatic Control Valves							X
		Flue Gas Isolating Valve					X		X
(EI) 1.1.4.2. 6	observing a test of the interlocking feature of soot blowers	Interlocking of soot Blowers							X
(EI) 1.1.4.2. 7	observing that the gas pressure-regulating valve automatically closes when the inert gas blowers are secured	Gas Pressure-Regulating Valve							X
(EI) 1.1.4.2. 8	checking, as far as practicable, the following alarms and safety devices of the inert gas system using simulated conditions where necessary:								X
(EI) 1.1.4.2. 8.1	high oxygen content of gas in the inert gas main	Simulation Test for Alarms and Safety Devices							X
(EI) 1.1.4.2. 8.2	low gas pressure in the inert gas main	Simulation Test for Alarms and Safety Devices							X
(EI) 1.1.4.2. 8.3	low pressure in the supply to the deck water seal	Simulation Test for Alarms and Safety Devices							X
(EI) 1.1.4.2. 8.4	high temperature of gas in the inert gas main	Simulation Test for Alarms and Safety Devices							X
(EI) 1.1.4.2. 8.5	low water pressure or low water-flow rate	Simulation Test for Alarms and Safety Devices							X
(EI) 1.1.4.2. 8.6	accuracy of portable and fixed oxygen-measuring equipment by means of calibration gas	Simulation Test for Alarms and Safety Devices			X				X
(EI) 1.1.4.2. 8.7	high water level in the scrubber	Simulation Test for Alarms and Safety Devices							X



	A.997(25) REQUIREMENT	SURVEY ITEM	ORIGIN OF THE REQUIREMENT	CORRESPONDENCE WITH APPROVED DRAWINGS / DOCUMENTATION	CONFORMITY VERIFICATION	INSPECTIONS DURING INSTALLATION	INSPECTION AFTER INSTALLATION	ONBOARD VERIFICATION OF DOCUMENTATION	FUNCTION TEST
(EI) 1.1.4.2. 8.8	failure of the inert gas blowers	Simulation Test for Alarms and Safety Devices							X
(EI) 1.1.4.2. 8.9	failure of the power supply to the automatic control system for the gas regulating valve and to the instrumentation for continuous indication and permanent recording of pressure and oxygen content in the inert gas main	Simulation Test for Alarms and Safety Devices							X
(EI) 1.1.4.2. 8.10	high pressure of gas in the inert gas main	Simulation Test for Alarms and Safety Devices							X
(EI) 1.1.4.2. 9	checking the proper operation of the inert gas system on completion of the checks listed above	IGS Operating Procedure						X	
(EI) 1.1.4.3	examining the fixed fire-fighting system for the cargo pump room, confirming that the installation tests have been satisfactorily completed and that its means of operation are clearly marked and, when appropriate, checking the operation of the remote means for closing the various openings	Cargo Pump Room Fire Extinguishing	(SOLAS 74/00 reg.II-2/10.9; FSSC chs.5, 6, 7 and 8, as applicable)	X			X		
		Cargo Pump Room Means of Closing Various Opening					X		X
(EI) 1.1.4.4	examining the protection of the cargo pump-rooms and confirming that the installation tests have been satisfactorily completed	temperature sensing devices	(SOLAS 74/00 reg.II-2/4.5.10) (SOLAS 74/88 regs.II-2/55 to 58)	X	X				X
		Interlock between lighting and ventilation							X
		monitoring of hydrocarbon gas			X				X
		Bilge monitoring							X
(EI) 1.1.5.1	confirming that the fire control plans are permanently exhibited or, alternatively, emergency booklets have been provided and that a duplicate of the plans or the emergency booklet are available in a prominently marked enclosure external to the ship's deckhouse	Required Documentations	(SOLAS 74/00 reg.II-2/15.2.4) (SOLAS 74/88 reg.II-2/20)					X	
(EI) 1.1.5.2	confirming that maintenance plans have been provided	Required Documentations	(SOLAS 74/00 regs.II-2/14.2.2 and 14.4)					X	
(EI) 1.1.5.3	confirming that the training manuals and the fire safety operational booklets have been provided	Required Documentations	(SOLAS 74/00 regs.II-2/15.2.3, 16.2 and 16.3)					X	

	A.997(25) REQUIREMENT	SURVEY ITEM	ORIGIN OF THE REQUIREMENT	CORRESPONDENCE WITH APPROVED DRAWINGS / DOCUMENTATION	CONFORMITY VERIFICATION	INSPECTIONS DURING INSTALLATION	INSPECTION AFTER INSTALLATION	ONBOARD VERIFICATION OF DOCUMENTATION	FUNCTION TEST
(EI) 1.1.5.4	confirming, where appropriate, that the ship is provided with a document indicating compliance with the special requirement for carrying dangerous goods	Required Documentations	(SOLAS 74/00 reg.II-2/19.4) (SOLAS 74/88 reg.II-2/54(3))					X	
(EI) 1.1.5.5	confirming that emergency instructions are available for each person on board, that the muster list is posted in conspicuous places and they are in a language understood by the persons on board	Required Documentations	(SOLAS 74/00 regs.III/8 and 37)					X	
(EI) 1.1.5.6	confirming that the training manual and training aids for the life-saving appliances have been provided	Required Documentations	(SOLAS 74/00 reg.III/35)					X	
(EI) 1.1.5.7	confirming that the instructions for on board maintenance of the life-saving appliances have been provided	Required Documentations	(SOLAS 74/88 reg.III/36)					X	
(EI) 1.1.5.8	confirming that a table or curve of residual deviations for the magnetic compass has been provided, and that a diagram of the radar installations shadow sectors is displayed	Required Documentations	(SOLAS 74/00 reg.V/19)					X	
(EI) 1.1.5.9	checking that operational and, where appropriate, maintenance manuals for all navigational equipment are provided	Required Documentations	(SOLAS 74/00 reg.V/16)					X	
(EI) 1.1.5.10	checking that the charts and nautical publications necessary for the intended voyage are available and have been updated	Required Documentations	(SOLAS 74/88 reg.V/27)					X	
(EI) 1.1.5.11	checking that the International Code of Signals and a copy of Volume III of the International Aeronautical and Maritime Search and Rescue (IAMSAR) Manual have been provided	Required Document	(SOLAS 74/00/02, reg.V/21)					X	
(EI) 1.1.5.12	checking that arrangements are provided to maintain records of navigational activities and daily reporting	Required Documents	(SOLAS 74/00/03, reg.V/28)					X	
(EI) 1.1.5.13	checking that the life-saving signals to be used by ships, aircraft or persons in distress are available	Required Documents	(SOLAS 74/00, reg.V/29)					X	
(EI) 1.1.5.14	confirming that continuous synopsis record is provided	Required Documents	(SOLAS 74/02, reg.XI-1/5)					X	
(EI) 1.1.6.1	confirming, when appropriate, that the instruction manuals for the inert gas system have been provided	Required Documents	(FSSC ch.15 paragraph 2.4.4) (SOLAS 74/88, reg.II-2/62.21)					X	

**Table 2. Load Line**

	A.997(25) REQUIREMENT	SURVEY ITEM	ORIGIN OF THE REQUIREMENT	CORRESPONDENCE WITH APPROVED DRAWINGS / DOCUMENTATION	CONFORMITY VERIFICATION	SURVEY DURING CONSTRUCTION OR INSTALLATION	TIGHTNESS TEST	SURVEY AFTER CONSTRUCTION OR INSTALLATION	FUNCTION TEST	ON BOARD VERIFICATION OF DOCUMENTATION
(LI) 1.1.2	For the load line the survey during construction and after installation should consist of:									
(LI) 1.1.2.2	confirming that the deck line and load line mark are properly positioned	Positioning of Deck Line and Load Line Mark	(LLC 66/88 regs.4 to 9)	X				X		
(LI) 1.1.2.3	witnessing the inclining experiment or lightweight survey	Inclining Experiment	(LLC 66/88/03 reg.10)	X				X		
(LI) 1.1.2.4	examining the superstructure end bulkheads and the openings therein	Superstructure End Bulkheads	(LLC 66/88 regs.11 and 12)							
		Superstructure Openings		X	X		X	X		
(LI) 1.1.2.5	examining the means of securing the weather tightness of cargo hatchways, other hatchways and other openings on the freeboard and superstructure decks	Freeboard Deck - Means of Securing the weather tightness of Cargo Hatchways	(LLC 66/88 regs. 13 to 18)	X		X	X		X	
		Freeboard Deck - Means of Securing the weather tightness of Other Hatchways		X			X		X	
		Freeboard Deck - Means of Securing the weather tightness of Other Openings		X			X		X	
		Superstructure Deck - Means of Securing the weather tightness of Cargo Hatchways		X		X	X		X	
		Superstructure Deck - Means of Securing the weather tightness of Other Hatchways		X			X		X	
		Superstructure Deck - Means of Securing the weather tightness of Other Openings		X			X		X	
(LI) 1.1.2.6	examining the ventilators and air pipes, including their coamings and closing appliances	Ventilators and air pipes including their coamings and closing appliances	(LLC 66/88 regs.19 and 20)	X	X			X		

	A.997(25) REQUIREMENT	SURVEY ITEM	ORIGIN OF THE REQUIREMENT	CORRESPONDENCE WITH APPROVED DRAWINGS / DOCUMENTATION	CONFORMITY VERIFICATION	SURVEY DURING CONSTRUCTION OR INSTALLATION	TIGHTNESS TEST	SURVEY AFTER CONSTRUCTION OR INSTALLATION	FUNCTION TEST	ON BOARD VERIFICATION OF DOCUMENTATION
(LI) 1.1.2.7	examining the watertight integrity of the closures to any openings in the ship's side below the freeboard deck	Closures to any openings in the ship's side below the freeboard deck	(LLC 66/88 reg.21)	X	X		X	X	X	
(LI) 1.1.2.8	examining the scuppers, inlets and discharges	Scuppers, Inlets and Discharger	(LLC 66/88 reg.22)	X	X			X		
(LI) 1.1.2.9	examining the garbage chutes	Garbage chute	(LLC 66/88/03, reg. 22-1)	X		X	X			
(LI) 1.1.2.10	examining the spurling pipes and cable lockers	Spurling Pipe	(LLC 66/88/03, reg. 22-2)	X		X	X			
		Cable Locker		X		X	X			
(LI) 1.1.2.11	examining the side scuttles and deadlights	Side Scuttles and Deadlights	(LLC 66/88 reg.23)	X	X		X	X		
(LI) 1.1.2.12	examining the bulwarks including the provision of freeing ports, special attention being given to any freeing ports fitted with shutters	Bulwarks	(LLC 66/88/03 reg.24, 25)	X				X		
		Freeing Ports		X				X		
		Freeing Ports fitted with shutters		X				X	X	
(LI) 1.1.2.13	examining the guardrails, gangways, walkways and other means provided for the protection of the crew and means for safe passage of crew	Guardrails	(LLC 66/88/03 reg.25, 25-1)	X				X		
		Gangways								
		Walkways								
		Other means								
(LI) 1.1.2.14	special requirements for ships permitted to sail with type "A" or type "B-minus" freeboards	Machinery Casings	(LLC 66/88/03 reg.26, 27)	X			X	X		
		Gangway and Access								
		Hatchways								
		Freeing arrangements								

	A.997(25) REQUIREMENT	SURVEY ITEM	ORIGIN OF THE REQUIREMENT	CORRESPONDENCE WITH APPROVED DRAWINGS / DOCUMENTATION	CONFORMITY VERIFICATION	SURVEY DURING CONSTRUCTION OR INSTALLATION	TIGHTNESS TEST	SURVEY AFTER CONSTRUCTION OR INSTALLATION	FUNCTION TEST	ON BOARD VERIFICATION OF DOCUMENTATION
(LI) 1.1.2.15	checking, when applicable, of the fittings and appliances for timber deck cargoes	Uprights	(LLC 66/88 regs.42 to 45)	X				X		
		Lashings		X						X
		Stability		X						X
		Protection of Crew		X				X		
(LI) 1.1.3.1	checking that the loading and ballasting information has been supplied to the master	Loading and Stability Manual	(LLC 66/88 reg.10)	X					X	

**Table 3. MARPOL Annex 1**

	A.997(25) REQUIREMENT	SURVEY ITEM	ORIGIN OF THE REQUIREMENT	CORRESPONDENCE WITH APPROVED DRAWINGS/DOCUMENTATIONS	CONFORMITY VERIFICATION	SURVEY DURING CONSTRUCTION OR INSTALLATION	SURVEY AFTER CONSTRUCTION OR INSTALLATION	ON BOARD VERIFICATION OF DOCUMENTATION	FUNCTION TEST
<b>Requirements for All Ships</b>									
(OI) 1.1.3.1	confirming the satisfactory installation and operation of, as appropriate, oil filtering equipment and when appropriate the operation of the automatic means provided to stop the discharge of effluent and the satisfactory operation of the alarm - or other installation	oil filtering equipment Automatic Stopping Device Alarm	MARPOL 90/04 Annex I regs. 14 and 15	X	X			X	X
(OI) 1.1.3.2	confirming, when applicable, that the oil content meter and its recording device are operable and that there is a sufficient supply of consumables for the recording device on board	Oil Content Meter	MARPOL 90/04 Annex I regs. 14 and 15		X	X			X
		Recording Device			X	X			X
		Consumables						X	
(OI) 1.1.3.3	testing, where fitted, the automatic stopping device required for discharges in Special Areas	Stopping Device	MARPOL 90/04 Annex I reg. 15						X
(OI) 1.1.3.4	confirming the segregation of the oil fuel and water ballast system and the non-carriage of oil in forepeak tanks	Segregation of WB and Oil Carriage of Oil in FP Tank	MARPOL 90/04 Annex I reg. 16	X		X			
(OI) 1.1.3.5	confirming that the oily residue (sludge) tank and its discharge arrangements are satisfactory and, when the size of the sludge tank is approved on the basis of such installations, confirming the satisfactory operation of homogenizers, sludge incinerators or other recognised means for the control of sludge	Oily residue (sludge) tank	MARPOL 90/04 Annex I reg. 12	X			X		
		Discharge Arrangement		X			X		
		Approved Sludge Tank's Size		X			X		
		Incinerators/Homogenisers		X	X		X		X
(OI) 1.1.3.6	confirming the provision of the standard discharge connection	Standard Discharge Connection	MARPOL 90/04 Annex I reg. 13				X		
(OI) 1.1.3.7	confirming oil fuel tank protection arrangements	Tank Arrangements	MARPOL 90/04 Annex I reg. 12A	X		X			

	A.997(25) REQUIREMENT	SURVEY ITEM	ORIGIN OF THE REQUIREMENT	CORRESPONDENCE WITH APPROVED DRAWINGS/DOCUMENTATIONS	CONFORMITY VERIFICATION	SURVEY DURING CONSTRUCTION OR INSTALLATION	SURVEY AFTER CONSTRUCTION OR INSTALLATION	ON BOARD VERIFICATION OF DOCUMENTATION	FUNCTION TEST
<b>Additional Requirements for Oil Tankers</b>									
(OI) 1.1.4.1	confirming that the arrangements of slop tanks or cargo tanks designated as slop tanks and associated piping systems are satisfactory	Slop Tanks Cargo Tanks designated as slop tanks	MARPOL 90/04 Annex I regs. 29 and 34	X X			X X		
(OI) 1.1.4.2	confirming the satisfactory installation and operation of the oil discharge monitoring and control system, including any audible or visual alarms, the automatic and manual means to stop the discharge of effluent, the starting interlock and the accuracy of the flow meter and the applicable resolution's requirements for installation survey	Discharge Monitoring and Control System Audible and Visual Alarms Automatic and manual means to stop discharge of Effluent Starting Interlock Accuracy Flow Meter	MARPOL 90/04 Annex I regs. 31 and 34	X    	X		X X X X		X X X X
(OI) 1.1.4.3	confirming that the oil content meter and its recording device are operable and that there is a sufficient supply of consumables for the recording device on board	Oil Content meter and recording device	MARPOL 90/04 Annex I regs. 31 and 34		X		X		X
(OI) 1.1.4.4	confirming that the approved oil/water interface detectors are on board and are operational	Oil/water interface detectors	MARPOL 90/04 Annex I reg. 32		X		X		
(OI) 1.1.4.5	confirming that the arrangements of pumps, pipes and valves are in accordance with the requirements for segregated ballast systems and that there are no cross-connections between the cargo and segregated ballast systems	Segregated Ballast Tanks: Pumps, Piping and Valves	MARPOL 90/04 Annex I reg. 18	X			X		
(OI) 1.1.4.6	where a portable spool piece is provided for the emergency discharge of segregated ballast by connecting the segregated ballast system to a cargo pump, confirming that non-return valves are fitted on the segregated ballast connections and that the spool piece is mounted in a conspicuous position in the pump room with a permanent notice restricting its use	Segregated Ballast Tanks: Emergency Discharge	MARPOL 90/04 Annex I reg. 18	X			X		

	A.997(25) REQUIREMENT	SURVEY ITEM	ORIGIN OF THE REQUIREMENT	CORRESPONDENCE WITH APPROVED DRAWINGS/DOCUMENTATIONS	CONFORMITY VERIFICATION	SURVEY DURING CONSTRUCTION OR INSTALLATION	SURVEY AFTER CONSTRUCTION OR INSTALLATION	ON BOARD VERIFICATION OF DOCUMENTATION	FUNCTION TEST
(OI) 1.1.4.7	testing ballast pipelines that pass through cargo tanks and those cargo pipelines that pass through ballast tanks to ensure there is no cross contamination	Pipelines	MARPOL 90/04 Annex I reg. 18	X			X		
(OI) 1.1.4.8	confirming that the crude oil washing system is installed in accordance with the approved plans and, in particular:		MARPOL 90/04 Annex I regs. 18 & 33	X					
(OI) 1.1.4.8. 1	examining crude oil washing piping, pumps, valves and deck mounted washing machines for signs of leakage and to check that all anchoring devices for crude oil washing piping are intact and secure;	Piping, Pumps Valves & Anchoring Devices					X		
(OI) 1.1.4.8. 2	carrying out pressure testing of the crude oil washing system to 1.5 times the working pressure;	Pressure Test					X		
(OI) 1.1.4.8. 3	confirming in those cases where drive units are not integral with the tank washing machines, that the number of operational drive units specified in the Manual are on board;	Operational Drive Units					X		
(OI) 1.1.4.8. 4	checking that, when fitted, steam heaters for water washing can be properly isolated during crude oil washing operations, either by double shut-off valves or by clearly identifiable blanks;	Steam Heaters					X		X
(OI) 1.1.4.8. 5	checking that the prescribed means of communications between the deck watch keeper and the cargo control position is operational;	Means of Communication					X		X
(OI) 1.1.4.8. 6	confirming that an overpressure relief device (or other approved arrangement) is fitted to the pumps supplying the crude oil washing system;	Overpressure Relief Device					X		X
(OI) 1.1.4.8. 7	verifying that flexible hoses for supply of oil to the washing machines on combination carriers are of an approved type, are properly stored and are in good condition;	Flexible Hoses			X		X		



	A.997(25) REQUIREMENT	SURVEY ITEM	ORIGIN OF THE REQUIREMENT	CORRESPONDENCE WITH APPROVED DRAWINGS/DOCUMENTATIONS	CONFORMITY VERIFICATION	SURVEY DURING CONSTRUCTION OR INSTALLATION	SURVEY AFTER CONSTRUCTION OR INSTALLATION	ON BOARD VERIFICATION OF DOCUMENTATION	FUNCTION TEST
(OI) 1.1.4.9	verifying the effectiveness of the crude oil washing system and, in particular:	COW-Crude Oil Washing: Effectiveness	MARPOL 90/04 Annex I reg. 33						
(OI) 1.1.4.9.1	checking that the crude oil washing machines are operable and to observe the proper operation of the washing machines by means of the movement indicators and/or sound patterns or other approved methods;						X		X
(OI) 1.1.4.9.2	checking the effectiveness of the stripping system in appropriate cargo tanks by observing the monitoring equipment and by hand-dipping or other approved means;								X
(OI) 1.1.4.9.3	verifying by internal tank inspection after crude oil washing that the installation and operational procedures laid down in the Operations and Equipment Manual are satisfactory;								X
(OI) 1.1.4.10	confirming that, where there is a crude oil washing system, an inert gas system has been installed and tested in accordance with the requirements of SOLAS 74/88/2000 (see (EI) 1.1.4.2 in Annex 1);	COW-Crude Oil Washing: General			X		X		X
(OI) 1.1.4.11	confirming, as appropriate, that the arrangements for the prevention of oil pollution in the event of collision or stranding are in accordance with the approved plans	Pollution due to Collision or Stranding	MARPOL 90/04 Annex I regs. 19 to 22	X			X		
(OI) 1.1.4.12	confirming that the piping systems associated with the discharge of dirty ballast water or oil-contaminated water are satisfactory	Pumping, Piping and Discharge	MARPOL 90/04 Annex I reg. 30	X			X		
(OI) 1.1.4.13	confirming that the observation and discharge control positions for visually observing the discharge of oil-contaminated water, including the testing of the communication system between the two positions are satisfactory	Observation and Discharge Control	MARPOL 90/04 Annex I reg. 30				X		X

	A.997(25) REQUIREMENT	SURVEY ITEM	ORIGIN OF THE REQUIREMENT	CORRESPONDENCE WITH APPROVED DRAWINGS/DOCUMENTATIONS	CONFORMITY VERIFICATION	SURVEY DURING CONSTRUCTION OR INSTALLATION	SURVEY AFTER CONSTRUCTION OR INSTALLATION	ON BOARD VERIFICATION OF DOCUMENTATION	FUNCTION TEST
(OI) 1.1.4.14	confirming that the means of draining cargo pumps and cargo lines, including the provision of a stripping device and the connections for pumping to the slop or cargo tanks or ashore are satisfactory	Means of Draining and Stripping	MARPOL 90/04 Annex I reg. 30	X			X		
		means for pumping ashore / slop / cargo tanks		X			X		
(OI) 1.1.4.16	confirming that closing devices installed in the cargo transfer system and cargo piping, as appropriate, are satisfactory	Closing arrangements	MARPOL 90/04 Annex I regs. 23 & 26						X
(OI) 1.1.4.17	confirming that the subdivision and stability arrangements, in addition to the provision of (OI) 1.1.4.16, to prevent progressive flooding are satisfactory	Stability Manual Tank Arrangement	MARPOL 90/04 Annex I regs. 23 & 26	X			X	X	
(OI) 1.1.4.18	confirming the arrangements for cargo pump-room bottom protection (double bottom where required)	Tank Arrangements	MARPOL 90/04 Annex I reg. 22	X			X		
<b>Requirements for All Ships</b>									
(OI) 1.1.5.1	confirming that certificates for type approval for the oil filtering equipment and oil content meters are available	Type Approval Certificates	MARPOL 90/04 Annex I reg. 14		X			X	
(OI) 1.1.5.2	confirming that the Oil Record Book (Part I) has been provided	Oil Record Book	MARPOL 90/04 Annex I reg. 17					X	
(OI) 1.1.5.3	confirming that the shipboard oil pollution emergency plan or, in the case of a chemical/product tanker, a shipboard marine pollution emergency plan has been provided	SOPEP/SMPEP	MARPOL 90/04 Annex I reg. 37	X				X	
(OI) 1.1.5.4	confirming, as appropriate, that the Operating and Maintenance manuals for the 15ppm bilge separator and 15ppm bilge alarm are available	Operations Manual						X	
<b>Additional Requirements for Oil Tankers</b>									
(OI) 1.1.6.2	confirming that, if applicable, a Crude Oil Washing Operations and Equipment Manual has been provided	COW-Crude Oil Washing: Operations & Equipment Manual	MARPOL 90/04 Annex I reg. 35	X				X	

	A.997(25) REQUIREMENT	SURVEY ITEM	ORIGIN OF THE REQUIREMENT	CORRESPONDENCE WITH APPROVED DRAWINGS/DOCUMENTATIONS	CONFORMITY VERIFICATION	SURVEY DURING CONSTRUCTION OR INSTALLATION	SURVEY AFTER CONSTRUCTION OR INSTALLATION	ON BOARD VERIFICATION OF DOCUMENTATION	FUNCTION TEST
(OI) 1.1.6.3	confirming that an operations manual for the oil discharge monitoring and control system has been provided together with any other documentation requested by the applicable resolution	ODM Operation Manual	MARPOL 90/04 Annex I reg. 31	X				X	
(OI) 1.1.6.4	confirming that certificates for type approval for the oil content meters, oil discharge monitoring and control system and oil/water interface detectors are available	Type Approval Certificates	MARPOL 90/04 Annex I regs. 31 and 32					X	
(OI) 1.1.6.5	confirming that an Oil Record Book (Part II) has been provided	Oil Record Book	MARPOL 90/04 Annex I reg. 36					X	
(OI) 1.1.6.7	confirming that the information and data concerning the loading and damage stability has been provided	Loading and Damage Stability Data	MARPOL 90/04 Annex I reg. 28	X				X	
(OI) 1.1.6.8	confirming that the shipboard oil pollution emergency plan or in the case of a chemical/product tanker a shipboard marine pollution emergency plan has been provided	SOPEP/SMPEP	MARPOL 90/04 Annex I reg. 37	X				X	
(OI) 1.1.6.9	confirming, for oil tankers of 5,000 deadweight and above delivered on/after 1 February 2002, that the intact stability has been approved	Stability Information	MARPOL 90/04 Annex I reg. 27	X				X	
(OI) 1.1.6.10	confirming, for oil tankers of 5,000 deadweight and above, that arrangements are in place to provide prompt access to shore-based damage stability and residual structural strength computerized calculation programmes	Shore based emergency support arrangements	MARPOL 90/04 Annex I reg. 37.4					X	

End of document
-----------------

**SC234**      **Первоначальные конвенционные освидетельствования судов в постройке**  
(Апрель 2009)

**LL76**      **1. Область применения**<sup>1</sup>  
(Апрель 2009)

**MPC96**      Настоящая унифицированная интерпретация (УИ) определяет требования к (Апрель 2009) первоначальным конвенционным освидетельствованиям судов в постройке в соответствии с Резолюцией ИМО А.997(25), которые не указаны в унифицированном требовании (UR) Z23 в отношении следующих свидетельств, в зависимости от того, что применимо:

- (i)      Международное свидетельство о грузовой марке (1966)
- (ii)     Свидетельство о безопасности грузового судна по оборудованию и снабжению
- (iii)    Международное свидетельство о предотвращении загрязнения нефтью

Настоящая УИ распространяется только на требуемые виды освидетельствований и не распространяются на интерпретации требований конвенций или одобрение планов, проектов или руководств, требуемых правилами.

**2.** Настоящая УИ не содержит требования к типовому одобрению или сертификации на предприятиях-поставщиках, в отношении которых должны быть представлены доказательства о приемке в соответствии с таблицами освидетельствований.

**3. Определения, используемые в таблицах освидетельствований**

Объект освидетельствования	Описание рассматриваемого объекта освидетельствования
Происхождение требования	Применимое конвенционное правило
Одобренные чертежи/документация	Указывается, требуются ли одобренные чертежи/документация
Проверка соответствия	Данная проверка может состоять из проверки свидетельства, проверки маркировки и клейм или, для объектов, подлежащих типовому одобрению, проверки соответствия объекта одобренному прототипу или требованиям сертификации Администрации флага
Освидетельствование при постройке или установке	Указывается необходимость присутствия инспектора при постройке и установке на борту
Проверка на герметичность	Указывается необходимость присутствия инспектора при проведении проверки на герметичность применительно к данному объекту освидетельствования
Освидетельствование после завершения постройки или установки	Указывается, была ли проведена проверка данного объекта освидетельствования инспектором после завершения постройки и установки на борту
Проверка в действии	Указывается, подлежит ли объект освидетельствования или системы проверке в действии и/или проверке работоспособности, или же проверке в присутствии инспектора после установки на борту судна
Проверка на борту судовой документации	Указывается необходимость проведения проверки инспектором требуемой судовой документации
Серии судов	Как определено в процедурном требовании МАКО PR29

<sup>1</sup>Настоящая УИ должна одновременно внедряться обществами - членами МАКО на судах, контракт на постройку которых заключен 1 июля 2010 г. и позднее (как определено в процедурном требовании (PR) МАКО PR29).

#### **4. Применение**

Настоящая УИ распространяется на все вновь строящиеся суда, для которых обществами - членами МАКО должны оформляться конвенционные свидетельства, перечисленные в параграфе 1.

#### **5. Толкование требований к освидетельствованиям приводится в Приложении 1**

Таблица 1 - Оборудование, обеспечивающее безопасность судна

Таблица 2 - Грузовая марка

Таблица 3 - Приложение 1 к МАРПОЛ

**6.** Специальные требования Администрации флага, если таковые имеются, заменяют требования, содержащиеся в настоящей УИ.

#### **7. Квалификация и проверка практики работы персонала**

Освидетельствования, требуемые настоящей УИ, должны проводиться штатными инспекторами классификационного общества в соответствии с PR5. Инспекторы должны иметь достаточную квалификацию, для выполнения возложенных на них задач и должны иметься процедуры, обеспечивающие проверку практики их работы. Подробности указаны в PR6 и PR7.

#### **8. План проверок и испытаний при постройке новых судов**

Верфь должна представить планы проверок и испытаний объектов, подлежащих освидетельствованию и/или испытанию до начала освидетельствований и испытаний.

#### **9. Свидетельства об одобрении изделий и о типовом одобрении изделий**

Верфь должна предоставить свидетельства об одобрении изделий и о типовом одобрении изделий соответствующих объектов, перечисленных в Приложении 1, которые подлежат установке на борту судна.

#### **10. Доказательство согласованности освидетельствований**

Классификационное общество должно быть способно представить доказательства, например, с помощью отчетов, чек-листов, записей о проверках и испытаниях и т.д., что инспекторы выполнили требования настоящей УИ.

## Приложение 1 к UIs SC234, LL76 & MPC96

### 1. Описание

СТОЛБЕЦ 1	Требования резолюции А.997(25)	
СТОЛБЕЦ 2	Объект освидетельствования	Описание рассматриваемого объекта освидетельствования
СТОЛБЕЦ 3	Происхождение требования	Применяемое конвенционное Правило
СТОЛБЕЦ 4	Соответствие одобренным чертежам/документации	Указывает, требуются ли одобренные чертежи/документация
СТОЛБЕЦ 5	Проверка соответствия	Данная проверка может состоять из проверки свидетельства, проверки маркировки и клэйм или, для объектов, подлежащих типовому одобрению, проверки соответствия объекта одобренному прототипу или требованиям сертификации Администрации флага
СТОЛБЕЦ 6	Освидетельствование при постройке или установке	Указывается необходимость присутствия инспектора при постройке и установке на борту
СТОЛБЕЦ 7	Проверка на непроницаемость	Указывается необходимость присутствия инспектора при проведении проверки на непроницаемость применительно к данному объекту освидетельствования
СТОЛБЕЦ 8	Освидетельствование после завершения постройки или установки	Указывается, была ли проведена проверка данного объекта освидетельствования инспектором после завершения постройки и установки на борту
СТОЛБЕЦ 9	Проверка в действии	Указывается, подлежит ли объект освидетельствования проверке в действии и/или проверке работоспособности, или же проверке в присутствии инспектора после установки на борту судна
СТОЛБЕЦ 10	Проверка на борту судовой документации	Указывается необходимость проведения проверки инспектором требуемой судовой документации

**Таблица 1. Оборудование, обеспечивающее безопасность судна**

	ТРЕБОВАНИЕ РЕЗОЛЮЦИИ А.997 (25)	ОБЪЕКТ ОСВИДЕТЕЛЬСТВОВАНИЯ	ПРОИСХОЖДЕНИЕ ТРЕБОВАНИЯ	СООТВЕТСТВИЕ ОДОБРЕННЫМ ЧЕРТЕЖАМ/ДОКУМЕНТАЦИИ	ПРОВЕРКА СООТВЕТСТВИЯ	ПРОВЕРКИ ПРИ УСТАНОВКЕ	ПРОВЕРКА ПОСЛЕ УСТАНОВКИ	ПРОВЕРКА СУДОВОЙ ДОКУМЕНТАЦИИ	ПРОВЕРКА В ДЕЙСТВИИ
(EI) 1.1.3.1	проверка пожарных насосов и пожарной магистрали, расположения пожарных кранов, рукавов и стволов, международного берегового соединения, включая проверку того, что каждый пожарный насос, включая аварийный пожарный насос, может работать независимо, обеспечивая одновременную подачу в любую часть судна двух струй от разных пожарных кранов при поддержании требуемого давления в главной пожарной магистрали	Пожарные насосы	(СОЛАС 74/00, Правило II-2/10.2; Кодекс СПБ, Глава 2 и 12) (СОЛАС 74/88, Правила II-2/4 и 19)	X	X		X		X
		Пожарные магистрали		X				X	
		Краны		X			X		
		Рукава и стволы		X	X		X		
		Международное береговое соединение		X			X		
(EI) 1.1.3.2	проверка наличия и расположения огнетушителей	Огнетушители	(СОЛАС 74/00, Правило II-2/10.3; Кодекс СПБ, Глава 4) (СОЛАС 74/88, Правило II-2/17);	X	X		X		

	ТРЕБОВАНИЕ РЕЗОЛЮЦИИ А.997 (25)	ОБЪЕКТ ОСВИДЕТЕЛЬСТВОВАНИЯ	ПРОИСХОЖДЕНИЕ ТРЕБОВАНИЯ	СООТВЕТСТВИЕ ОДОБРЕННЫМ ЧЕРТЕЖАМ/ДОКУМЕНТАЦИИ	ПРОВЕРКА СООТВЕТСТВИЯ	ПРОВЕРКИ ПРИ УСТАНОВКЕ	ПРОВЕРКА ПОСЛЕ УСТАНОВКИ	ПРОВЕРКА СУДОВОЙ ДОКУМЕНТАЦИИ	ПРОВЕРКА В ДЕЙСТВИИ
(E1) 1.1.3.3	проверка комплектов снаряжения для пожарного и аварийных дыхательных устройств (АДУ)	Комплекты снаряжения для пожарного	(СОЛАС 74/00, Правила II-2/10.10, 13.3.4 и 13.4.3; Кодекс СПБ, Глава 3);	X	X		X		
		Аварийные дыхательные устройства (АДУ)	(СОЛАС 74/88, Правило II-2/17)	X	X		X		
(E1) 1.1.3.4	проверка готовности к работе и технического обслуживания противопожарных систем пожаротушения	Готовность к работе и техническое обслуживание систем пожаротушения	(СОЛАС 74/00, Правило II-2/14 1) (СОЛАС 74/88, Правило II-2/21);					X	
(E1) 1.1.3.5	проверка стационарной системы пожаротушения для машинных, грузовых помещений, помещений для перевозки транспортных средств, помещений специальной категории и помещений ро-ро, в зависимости от того, что применимо, и подтверждение того, что после установки на судне были проведены успешные испытания и что органы управления системами имеют четкую маркировку	Стационарные системы пожаротушения	(СОЛАС 74/00, Правила II-2/10.4, 10.5, 10.7 и 20.6.1; Кодекс СПБ, Главы 5-7) (СОЛАС 74/88, Правила II-2/7 и 53);	X	X		X	X	X



	ТРЕБОВАНИЕ РЕЗОЛЮЦИИ А.997 (25)	ОБЪЕКТ ОСВИДЕТЕЛЬСТВОВАНИЯ	ПРОИСХОЖДЕНИЕ ТРЕБОВАНИЯ	СОТВЕТСТВИЕ ОДОБРЕННЫМ ЧЕРТЕЖАМ/ДОКУМЕНТАЦИИ	ПРОВЕРКА СОТВЕТСТВИЯ	ПРОВЕРКИ ПРИ УСТАНОВКЕ	ПРОВЕРКА ПОСЛЕ УСТАНОВКИ	ПРОВЕРКА СУДОВОЙ ДОКУМЕНТАЦИИ	ПРОВЕРКА В ДЕЙСТВИИ
(E1) 1.1.3.6	проверка средств пожаротушения и специальных мер и устройств пожаротушения в машинных помещениях и подтверждение, насколько это практически возможно, работы средств дистанционного управления, предусмотренных для открытия и закрытия световых люков, выпуска дыма, закрытия отверстий в дымовых трубах и вентиляционных отверстий, закрытия дверей с приводом от источника энергии и других дверей, отключения котельных вдувных и вытяжных вентиляторов, отключения топливных и других насосов, перекачивающих воспламеняющиеся жидкости	Дистанционные средства открытия и закрытия световых люков	(СОЛАС 74/00 Правило. II- 2/5.2, 8.3, 9.5 и 10.5) (СОЛАС 74/88 Правило. II- 2/7 и 11)	X					X
		Противопожарные заслонки и закрытия отверстий в дымовых трубах		X	X				X
		Закрытие дверей с приводом от источника энергии и других дверей		X	X				X
		Дистанционный останов вентиляционных и котельных воздуходувок		X					X
		Дистанционный останов топливных (FO) насосов		X					X

	ТРЕБОВАНИЕ РЕЗОЛЮЦИИ А.997(25)	ОБЪЕКТ ОСВИДЕТЕЛЬСТВОВАНИЯ	ПРОИСХОЖДЕНИЕ ТРЕБОВАНИЯ	СООТВЕТСТВИЕ ОДОБРЕННЫМ ЧЕРТЕЖАМ/ДОКУМЕНТАЦИИ	ПРОВЕРКА СООТВЕТСТВИЯ	ПРОВЕРКИ ПРИ УСТАНОВКЕ	ПРОВЕРКА ПОСЛЕ УСТАНОВКИ	ПРОВЕРКА СУДОВОЙ ДОКУМЕНТАЦИИ	ПРОВЕРКА В ДЕЙСТВИИ
(E) 1.1.3.7	проверка любой системы сигнализации обнаружения пожара и любой автоматической спринклерной системы пожаротушения и системы сигнализации обнаружения пожара и подтверждение успешного проведения испытаний после установки на судне	Стационарная система обнаружения пожара	(СОЛАС 74/00, Правила II-2/ 7.2, 7.3, 7.4, 7.5.1, 7.5.5, 19.3.3 и 20.4; Кодекс СПБ, Глава 9) (СОЛАС 74/88, Правила II-2/11, 13, 14, 53 и 54);	X	X		X		X
		Система сигнализации обнаружения пожара		X	X		X		X
		Автоматическая спринклерная система		X	X		X		X
(E) 1.1.3.8	проверка системы пожаротушения для помещений, в котором содержатся краски и/или воспламеняющиеся жидкости, а также фритюрницы (жировые варочные агрегаты) в жилых и служебных помещениях, и подтверждение того, что после установки на судне были проведены успешные испытания и что все органы управления системами имеют четкую маркировку	Помещения, в которых содержатся краски и/или воспламеняющиеся жидкости: система пожаротушения	(СОЛАС 74/00, Правила II-2/10.6.3 и 10.6.4; Кодекс СПБ, Главы 4 -7) (СОЛАС 74/88, Правило II-2/18.7)	X			X		
		Жировые и варочные агрегаты в жилых и служебных помещениях: система пожаротушения		X			X		
(E) 1.1.3.9	проверка устройств дистанционного закрытия клапанов для жидкого топлива, смазочного масла и других воспламеняющихся нефтепродуктов, и подтверждение, насколько это практически возможно и где применимо, работы средств дистанционного управления, предусмотренных для закрытия клапанов на танках, в которых находится топливо, смазочное масло и другие воспламеняющиеся нефтепродукты	Средства дистанционного закрытия клапанов для: жидкого топлива	(СОЛАС 74/00, Правило II-2/ (СОЛАС 74/00, Правило II-2/4.2.2.3.4) (СОЛАС 74/88, Правило II-2/15.2.5);	X					X
		Средства дистанционного закрытия клапанов для: смазочного масла		X					X
		Средства дистанционного закрытия клапанов для: других воспламеняющихся нефтепродуктов		X					X

	ТРЕБОВАНИЕ РЕЗОЛЮЦИИ А.997 (25)	ОБЪЕКТ ОСВИДЕТЕЛЬСТВОВАНИЯ	ПРОИСХОЖДЕНИЕ ТРЕБОВАНИЯ	СООТВЕТСТВИЕ ОДОБРЕННЫМ ЧЕРТЕЖАМ/ДОКУМЕНТАЦИИ	ПРОВЕРКА СООТВЕТСТВИЯ	ПРОВЕРКИ ПРИ УСТАНОВКЕ	ПРОВЕРКА ПОСЛЕ УСТАНОВКИ	ПРОВЕРКА СУДОВОЙ ДОКУМЕНТАЦИИ	ПРОВЕРКА В ДЕЙСТВИИ
(E1) 1.1.3.10	проверка мер и устройств, связанных с противопожарной защитой, в помещениях для перевозки транспортных средств и помещениях ро-ро, и подтверждение, насколько это практически возможно и где применимо, работы средств закрытия различных отверстий	Система сигнализации обнаружения пожара	(СОЛАС 74/00, Правило II-2/10.7, 20.2.1, 20.3 и 20.6.2) (СОЛАС 74/88, Правило II-2/53)	X	X		X		X
		Стационарная система пожаротушения		X				X	
		Защита от возгорания воспламеняющихся паров в закрытых помещениях для перевозки транспортных средств, закрытых помещениях ро-ро и помещениях специальной категории		X	X		X		X
				X		X		X	
(E1) 1.1.3.11	проверка, если применимо, специальных мер и устройств для обеспечения перевозки опасных грузов, включая проверку электрооборудования и прокладки кабелей, вентиляции, наличия защитной одежды и переносных устройств и испытание водопожарной системы, осушительной системы и любой системы водораспыления	Снабжение водой	(СОЛАС 74/00, Правило II-2/19, кроме 19.3.8, 19.3.10 и 19.4); Кодекс СПБ – Главы 9 и 10) (СОЛАС 74/88, Правило II-2/54)	X					X
		Источники возгорания		X	X		X		
		Система обнаружения		X	X			X	
		Вентиляция		X			X		
		Осушительная система		X				X	
		Индивидуальная защита		X	X		X		
		Огнетушители		X	X		X		
		Изоляция границ машинного помещения		X	X		X		
Система водораспыления	X	X	X	X		X			
(E1) 1.1.3.12	проверка наличия и расположения спасательных шлюпок и спасательных плотов, если применимо, морских эвакуационных систем (МЭС) и дежурных шлюпок	Наличие и расположение спасательных шлюпок и плотов	(СОЛАС 74/88, Правило III/11 -16 и 31; Кодекс КСС, раздел 6.2)	X	X		X		
		Наличие и расположение дежурных шлюпок		X	X		X		
		Наличие и расположение морских эвакуационных систем		X	X		X		

	ТРЕБОВАНИЕ РЕЗОЛЮЦИИ А.997(25)	ОБЪЕКТ ОСВИДЕТЕЛЬСТВОВАНИЯ	ПРОИСХОЖДЕНИЕ ТРЕБОВАНИЯ	СООТВЕТСТВИЕ ОДОБРЕННЫМ ЧЕРТЕЖАМ/ДОКУМЕНТАЦИИ	ПРОВЕРКА СООТВЕТСТВИЯ	ПРОВЕРКИ ПРИ УСТАНОВКЕ	ПРОВЕРКА ПОСЛЕ УСТАНОВКИ	ПРОВЕРКА СУДОВОЙ ДОКУМЕНТАЦИИ	ПРОВЕРКА В ДЕЙСТВИИ
(E) 1.1.3.13	приведение в рабочее состояние 50 % МЭС после установки	Развертывание морских эвакуационных систем	(Кодекс КСС, пункт 6.2.2.2)						X
(E) 1.1.3.14	проверка каждого коллективного спасательного средства, включая его оборудование и снабжение	Конструкция коллективного спасательного средства	(СОЛАС 74/88, Правило III/31; Кодекс КСС, разделы 2.5, 3.1 - 3.3 и 4.1 - 4.9);		X		X		
		Двигатель коллективного спасательного средства			X				X
		Оборудование и снабжение коллективного спасательного средства			X		X		
(E) 1.1.3.15	проверка каждого устройства, обеспечивающего посадку людей в коллективные спасательные средства, испытание каждого спускового устройства, включая испытания перегрузкой, испытания для установления скорости спуска и спуск каждого коллективного спасательного средства на воду при наименьшей эксплуатационной осадке судна и, если применимо, спуск на ходу при скорости 5 узлов, проверку подъема каждой спасательной шлюпки	Подъемно-спусковые приспособления коллективных спасательных средств	(СОЛАС 74/00, Правило III/11, 12, 13, 16, 31 и 33; Кодекс КСС, раздел 6.1)		X		X		X
		Устройства, обеспечивающие посадку людей в коллективные спасательные средства			X		X		X

	ТРЕБОВАНИЕ РЕЗОЛЮЦИИ А.997 (25)	ОБЪЕКТ ОСВИДЕТЕЛЬСТВОВАНИЯ	ПРОИСХОЖДЕНИЕ ТРЕБОВАНИЯ	СООТВЕТСТВИЕ ОДОБРЕННЫМ ЧЕРТЕЖАМ/ДОКУМЕНТАЦИИ	ПРОВЕРКА СООТВЕТСТВИЯ	ПРОВЕРКИ ПРИ УСТАНОВКЕ	ПРОВЕРКА ПОСЛЕ УСТАНОВКИ	ПРОВЕРКА СУДОВОЙ ДОКУМЕНТАЦИИ	ПРОВЕРКА В ДЕЙСТВИИ
(E1) 1.1.3.16	проверка устройств, обеспечивающих посадку людей в каждую морскую эвакуационную систему и, где применимо, испытание спусковых устройств, включая проверку отсутствия отверстий в бортовой обшивке судна между местом посадки в коллективные спасательные средства и ватерлинией, проверку расстояния до гребного винта, и других спасательных средств, и проверку того, что место установки защищено от повреждений при плохой погоде, насколько это практически возможно	Подъемно-спусковые приспособления МЭС	(СОЛАС 74/00, Правило III/15; Кодекс КСС, раздел 6.2);	X	X		X		X
		Устройства, обеспечивающие посадку людей в МЭС		X		X			
(E1) 1.1.3.17	проверка каждой дежурной шлюпки, включая ее оборудование и снабжение	Конструкция дежурной шлюпки	(СОЛАС 74/88, Правило III/31; Кодекс КСС, разделы 2.5, 5.1 и 6.1);		X		X		
		Двигатель дежурной шлюпки			X		X		X
		Оборудование и снабжение дежурной шлюпки			X		X		
(E1) 1.1.3.18	проверка устройств, обеспечивающих посадку в каждую дежурную шлюпку и подъема ее на борт, испытание каждого подъемно-спускового приспособления, включая испытания перегрузкой, испытания для установления скорости спуска и подъема; проверку обеспечения того, что каждая	Подъемно-спусковые приспособления и меры, обеспечивающие спуск и подъем дежурных шлюпок	(СОЛАС 74/88, Правило III/14,1 7 и 31; Кодекс КСС, раздел 6.1);		X		X		X

	ТРЕБОВАНИЕ РЕЗОЛЮЦИИ А.997(25)	ОБЪЕКТ ОСВИДЕТЕЛЬСТВОВАНИЯ	ПРОИСХОЖДЕНИЕ ТРЕБОВАНИЯ	СООТВЕТСТВИЕ ОДОБРЕННЫМ ЧЕРТЕЖАМ/ДОКУМЕНТАЦИИ	ПРОВЕРКА СООТВЕТСТВИЯ	ПРОВЕРКИ ПРИ УСТАНОВКЕ	ПРОВЕРКА ПОСЛЕ УСТАНОВКИ	ПРОВЕРКА СУДОВОЙ ДОКУМЕНТАЦИИ	ПРОВЕРКА В ДЕЙСТВИИ
	дежурная шлюпка может быть спущена на воду и поднята из воды при наименьшей эксплуатационной осадке судна; спуск на ходу при скорости 5 узлов								
(E) 1.1.3.19	проверка исправности пуска двигателя дежурной(ых) шлюпки(ок) и каждой спасательной шлюпки, если она/они оборудованы двигателем, испытание переднего и заднего хода	Проверка исправности двигателя каждой спасательной шлюпки и дежурной спасательной шлюпки	(СОЛАС 74/00, Правило III/19)						X
(E) 1.1.3.20	подтверждение того, что вблизи коллективных спасательных средств и мест их спуска, а также контейнеров, консолей, стеллажей и других подобных мест хранения спасательных средств имеются плакаты или символы	Плакаты или символы	(СОЛАС 74/00, Правило III/9 и 20)				X		
(E) 1.1.3.21	проверка наличия и условий хранения, а также проверки работы переносного оборудования внутрисудовых средств связи, если оно предусмотрено, и УКВ аппаратуры двусторонней радиотелефонной связи и радиолокационных ответчиков	УКВ аппаратура двусторонней радиотелефонной связи	(СОЛАС 74/88, Правила II/2- 12.2 и III/6)		X		X		X
		Радиолокационные ответчики			X		X		X
(E) 1.1.3.22	проверка наличия и условий хранения световых сигналов бедствия и линеметательных устройств, проверка наличия и работы стационарного	Световые сигналы бедствия и линеметательные устройства	(СОЛАС 74/00 Правила III/6 и 18; Кодекс КСС,		X		X		

	ТРЕБОВАНИЕ РЕЗОЛЮЦИИ А.997(25)	ОБЪЕКТ ОСВИДЕТЕЛЬСТВОВАНИЯ	ПРОИСХОЖДЕНИЕ ТРЕБОВАНИЯ	СООТВЕТСТВИЕ ОДОБРЕННЫМ ЧЕРТЕЖАМ/ДОКУМЕНТАЦИИ	ПРОВЕРКА СООТВЕТСТВИЯ	ПРОВЕРКИ ПРИ УСТАНОВКЕ	ПРОВЕРКА ПОСЛЕ УСТАНОВКИ	ПРОВЕРКА СУДОВОЙ ДОКУМЕНТАЦИИ	ПРОВЕРКА В ДЕЙСТВИИ
	наличия и работы стационарного оборудования внутрисудовых средств связи, если оно предусмотрено, и испытание органов управления общесудовой системой авральной сигнализации	Оборудование внутрисудовых средств связи	разделы 3.1, 7.1 и 7.2)		X		X		X
		Общесудовая система авральной сигнализации		X			X		X
(E1) 1.1.3.23	проверка наличия, размещения и условий хранения спасательных кругов, включая спасательные круги, снабженные самозажигающимися огнями, автоматически действующими дымовыми шашками и плавучими спасательными линиями; спасательных жилетов, гидрокостюмов и защитных костюмов	Спасательные круги	(СОЛАС 74/88, Правила III/ 7 и 32-37; Кодекс КСС, разделы 2.1, 2.5 и 3.3)	X	X		X		
		Спасательные круги, снабженные самозажигающимися огнями		X	X		X		
		Спасательные круги, снабженные автоматически действующими дымовыми шашками		X	X		X		
		Спасательные круги, снабженные плавучими спасательными линиями		X	X		X		
		Спасательные жилеты		X	X		X		
		Гидрокостюмы		X	X		X		
		Защитные костюмы		X	X		X		
(E1) 1.1.3.24	проверка освещения мест сбора и посадки, коридоров, трапов и выходов, обеспечивающих доступ к местам сбора и	Освещение мест сбора и посадки					X		X
		Освещение коридоров и трапов					X		X

	ТРЕБОВАНИЕ РЕЗОЛЮЦИИ А.997 (25)	ОБЪЕКТ ОСВИДЕТЕЛЬСТВОВАНИЯ	ПРОИСХОЖДЕНИЕ ТРЕБОВАНИЯ	СООТВЕТСТВИЕ ОДОБРЕННЫМ ЧЕРТЕЖАМ/ДОКУМЕНТАЦИИ	ПРОВЕРКА СООТВЕТСТВИЯ	ПРОВЕРКИ ПРИ УСТАНОВКЕ	ПРОВЕРКА ПОСЛЕ УСТАНОВКИ	ПРОВЕРКА СУДОВОЙ ДОКУМЕНТАЦИИ	ПРОВЕРКА В ДЕЙСТВИИ
	посадки, включая обеспечение питания от аварийного источника электроэнергии	Освещение выходов, обеспечивающих доступ к местам сбора и посадки	(СОЛАС 74/88, Правила II-1/43 и III/11)				X		X
		Освещение мест сбора и посадки от аварийного источника электроэнергии					X		X
		Освещение коридоров и трапов от аварийного источника электроэнергии					X		X
		Освещение выходов, обеспечивающих доступ к местам сбора и посадки, от аварийного источника электроэнергии					X		X
(EI) 1.1.3.25	проверка наличия и размещения, а также проверка работы, если применимо, сигнально-отличительных фонарей, сигнальных фигур и звуковых сигнальных средств	Сигнально-отличительные фонари	(МППСС), Правила 20-24,27-30 и 33)	X	X		X		X
		Сигнальные фигуры и звуковые сигнальные средства			X		X		X
(EI) 1.1.3.26	проверка с целью установления того, что минимальное безопасное расстояние от путевого компаса и основного магнитного компаса до всего электрического оборудования отвечает требованиям	Ходовой мостик	(СОЛАС 74/00, Правила V/17 и 19)				X		



	ТРЕБОВАНИЕ РЕЗОЛЮЦИИ А.997 (25)	ОБЪЕКТ ОСВИДЕТЕЛЬСТВОВАНИЯ	ПРОИСХОЖДЕНИЕ ТРЕБОВАНИЯ	СООТВЕТСТВИЕ ОДОБРЕННЫМ ЧЕРТЕЖАМ/ДОКУМЕНТАЦИИ	ПРОВЕРКА СООТВЕТСТВИЯ	ПРОВЕРКИ ПРИ УСТАНОВКЕ	ПРОВЕРКА ПОСЛЕ УСТАНОВКИ	ПРОВЕРКА СУДОВОЙ ДОКУМЕНТАЦИИ	ПРОВЕРКА В ДЕЙСТВИИ
(E1) 1.1.3.27	проверка на электромагнитную совместимость электрического и электронного оборудования, расположенного на ходовом мостике или вблизи него	Ходовой мостик	(СОЛАС 74/00, Правила V/17)		X		X		
(E1) 1.1.3.28	Проверка, если применимо, наличия и функционирования следующего судового навигационного оборудования и систем:								
(E1) 1.1.3.28 .1	магнитного компаса, включая проверку его расположения, движения и освещения, пелоруса или пеленгаторного устройства компаса	Навигационное оборудование: магнитный компас	(СОЛАС 74/00, Правило V/19)		X		X		
		Навигационное оборудование: пелорус или пеленгаторное устройство компаса			X				X
(E1) 1.1.3.28 .2	наличия откорректированных морских навигационных карт и морских навигационных пособий, необходимых для предстоящего рейса и, в случае использования электронных систем, откорректированных электронных карт и требуемой системы дублирования	Навигационное оборудование: ЭКНИС, включая средства дублирования	(СОЛАС 74/00, Правило V/19)		X				X
		Навигационные карты и навигационные пособия						X	

	ТРЕБОВАНИЕ РЕЗОЛЮЦИИ А.997(25)	ОБЪЕКТ ОСВИДЕТЕЛЬСТВОВАНИЯ	ПРОИСХОЖДЕНИЕ ТРЕБОВАНИЯ	СООТВЕТСТВИЕ ОДОБРЕННЫМ ЧЕРТЕЖАМ/ДОКУМЕНТАЦИИ	ПРОВЕРКА СООТВЕТСТВИЯ	ПРОВЕРКИ ПРИ УСТАНОВКЕ	ПРОВЕРКА ПОСЛЕ УСТАНОВКИ	ПРОВЕРКА СУДОВОЙ ДОКУМЕНТАЦИИ	ПРОВЕРКА В ДЕЙСТВИИ
(E1) 1.1.3.28 .3	приемоиндикатора глобальной навигационной спутниковой системы или наземной радионавигационной системы	Навигационное оборудование: приемоиндикатор ГНСС		X					X
(E1) 1.1.3.28 .4	системы приема внешних звуковых сигналов, если ходовой мостик полностью закрыт	Навигационное оборудование: система приёма внешних звуковых сигналов		X					X
(E1) 1.1.3.28 .5	средств связи с аварийным постом управления рулем, если он предусмотрен	Навигационное оборудование: средства связи с аварийным постом управления рулем		X	X				X
(E1) 1.1.3.28 .6	запасного магнитного компаса	Навигационное оборудование: запасной магнитный компас			X		X		
(E1) 1.1.3.28 .7	лампы дневной сигнализации	Навигационное оборудование: лампа дневной сигнализации			X				X
(E1) 1.1.3.28 .8	эхолота	Навигационное оборудование: эхолот			X				X

	ТРЕБОВАНИЕ РЕЗОЛЮЦИИ А.997 (25)	ОБЪЕКТ ОСВИДЕТЕЛЬСТВОВАНИЯ	ПРОИСХОЖДЕНИЕ ТРЕБОВАНИЯ	СООТВЕТСТВИЕ ОДОБРЕННЫМ ЧЕРТЕЖАМ/ДОКУМЕНТАЦИИ	ПРОВЕРКА СООТВЕТСТВИЯ	ПРОВЕРКИ ПРИ УСТАНОВКЕ	ПРОВЕРКА ПОСЛЕ УСТАНОВКИ	ПРОВЕРКА СУДОВОЙ ДОКУМЕНТАЦИИ	ПРОВЕРКА В ДЕЙСТВИИ
(E1) 1.1.3.28 .9	радиолокационного отражателя	Навигационное оборудование: радиолокационный отражатель			X		X		
(E1) 1.1.3.28 .10	радиолокационной(ых) станции(й), включая проверку прокладки и защиты волновода и кабельных линий, а также индикаторного блока, включая проверку яркости, исправности работы всех органов управления и их функций	Навигационное оборудование: радиолокационные установки			X		X		X
(E1) 1.1.3.28 .11	средств электронной прокладки, средств автосопровождения или автоматической радиолокационной прокладки, в зависимости от конкретного случая, используя соответствующее испытательное оборудование	Навигационное оборудование: средства электронной прокладки			X				X
		Навигационное оборудование: средства автосопровождения или автоматической радиолокационной прокладки			X				X
(E1) 1.1.3.28 .12	лага (относительного, абсолютного)	Навигационное оборудование: лаг			X				X
(E1) 1.1.3.28 .13	устройства дистанционной передачи курса, обеспечивающего передачу информации о курсе для радиолокационной станции, средства прокладки, оборудования	Навигационное оборудование: устройство дистанционной передачи курса			X				X

	ТРЕБОВАНИЕ РЕЗОЛЮЦИИ А.997 (25)	ОБЪЕКТ ОСВИДЕТЕЛЬСТВОВАНИЯ	ПРОИСХОЖДЕНИЕ ТРЕБОВАНИЯ	СООТВЕТСТВИЕ ОДОБРЕННЫМ ЧЕРТЕЖАМ/ДОКУМЕНТАЦИИ	ПРОВЕРКА СООТВЕТСТВИЯ	ПРОВЕРКИ ПРИ УСТАНОВКЕ	ПРОВЕРКА ПОСЛЕ УСТАНОВКИ	ПРОВЕРКА СУДОВОЙ ДОКУМЕНТАЦИИ	ПРОВЕРКА В ДЕЙСТВИИ
	автоматической идентификационной системы и регистратора данных рейса								
(E1) 1.1.3.28 .14	автоматической идентификационной системы	Навигационное оборудование: автоматическая идентификационная система			X				X
(E1) 1.1.3.28 .15	гирокомпас, включая проверку согласования основного прибора и всех репитеров	Навигационное оборудование: гирокомпас			X				X
		Навигационное оборудование: репитеры гироскопа			X				X
(E1) 1.1.3.28 .16	индикатора угла перекладки руля (углового положения пера руля)	Навигационное оборудование: индикатор угла перекладки руля			X				
(E1) 1.1.3.28 .17	индикатора частоты вращения гребного винта	Навигационное оборудование: индикатор частоты вращения гребного винта			X				X
(E1) 1.1.3.28 .18	индикатора режима работы, упора и шага гребного винта	Навигационное оборудование: индикатор режима работы, упора и шага гребного винта			X				X
(E1) 1.1.3.28	измерителя скорости поворота	Навигационное оборудование: измеритель скорости			X				X

	ТРЕБОВАНИЕ РЕЗОЛЮЦИИ А.997 (25)	ОБЪЕКТ ОСВИДЕТЕЛЬСТВОВАНИЯ	ПРОИСХОЖДЕНИЕ ТРЕБОВАНИЯ	СООТВЕТСТВИЕ ОДОБРЕННЫМ ЧЕРТЕЖАМ/ДОКУМЕНТАЦИИ	ПРОВЕРКА СООТВЕТСТВИЯ	ПРОВЕРКИ ПРИ УСТАНОВКЕ	ПРОВЕРКА ПОСЛЕ УСТАНОВКИ	ПРОВЕРКА СУДОВОЙ ДОКУМЕНТАЦИИ	ПРОВЕРКА В ДЕЙСТВИИ
.19		поворота							
(E) 1.1.3.28 .20	системы управления курсом или траекторией судна	Навигационное оборудование: система управления курсом или траекторией судна			X				X
(E) 1.1.3.29	проверка наличия и функционирования регистратора данных рейса	РДР - регистратор данных рейса	(СОЛАС 74/00, Правило V/20);		X				X
(E) 1.1.3.31	проверка видимости с ходового мостика	Видимость с ходового мостика	(СОЛАС 74/00, Правило V/22)	X					
(E) 1.1.3.32	проверка наличия и, при необходимости, ввод в действие или спуск лоцманских штормтрапов и подъемников/устройств для передачи лоцмана	Лоцманские трапы и подъемники/устройства для передачи лоцмана	(СОЛАС 74/00, Правило V/23)	X	X		X		X
(E) 1.1.4.1	проверка палубной системы пенотушения, включая подачу пенообразователя, и испытание, подтверждающее, что во время работы обеспечивается подача минимального количества струй воды под требуемым давлением в пожарной магистрали (см. (E) 1.1.3.1)	Палубная система пенотушения: цистерны с пенообразователем	(СОЛАС 74/00, Правило II-2/10.88; Кодекс СПБ, Глава 15) (СОЛАС 74/88, Правило II-2/61)	X			X		
Палубная система пенотушения: лафетные стволы				X		X		X	
Палубная система пенотушения: насадки				X		X		X	
Палубная система пенотушения: пенообразователь				X					

	ТРЕБОВАНИЕ РЕЗОЛЮЦИИ А.997(25)	ОБЪЕКТ ОСВИДЕТЕЛЬСТВОВАНИЯ	ПРОИСХОЖДЕНИЕ ТРЕБОВАНИЯ	СООТВЕТСТВИЕ ОДОБРЕННЫМ ЧЕРТЕЖАМ/ДОКУМЕНТАЦИИ	ПРОВЕРКА СООТВЕТСТВИЯ	ПРОВЕРКИ ПРИ УСТАНОВКЕ	ПРОВЕРКА ПОСЛЕ УСТАНОВКИ	ПРОВЕРКА СУДОВОЙ ДОКУМЕНТАЦИИ	ПРОВЕРКА В ДЕЙСТВИИ
(E1) 1.1.4.2	<u>проверка</u> системы инертного газа, и в частности:	Защита грузовых танков: вентиляция	(СОЛАС 74/00, Правило II-2/4.5.5; Кодекс СПБ, Глава 15) (СОЛАС 74/88 Правило II-2/62)	X	X				
(E1) 1.1.4.2. 1	наружный осмотр для выявления следов утечки газа или сброса стока	Следы утечки газа или сброса стока						X	X
(E1) 1.1.4.2. 2	подтверждение исправности работы обоих вентиляторов инертного газа	Вентиляторы инертного газа							X
(E1) 1.1.4.2. 3	наблюдение за работой системы вентиляции в помещении скруббера	Система вентиляции в помещении скруббера							X
(E1) 1.1.4.2. 4	проверка палубного водяного затвора на автоматическое заполнение и осушение	Палубный водяной затвор					X		X
(E1) 1.1.4.2. 5	проверка работы всех клапанов с дистанционным или автоматическим управлением, и, в частности, запорных клапанов дымовых газов	Клапаны с дистанционным или автоматическим управлением							X
		Запорный клапан дымовых газов					X		X
(E1)	наблюдение за испытанием системы	Блокировка сажеобдучных							X

	ТРЕБОВАНИЕ РЕЗОЛЮЦИИ A.997(25)	ОБЪЕКТ ОСВИДЕТЕЛЬСТВОВАНИЯ	ПРОИСХОЖДЕНИЕ ТРЕБОВАНИЯ	СООТВЕТСТВИЕ ОДОБРЕННЫМ ЧЕРТЕЖАМ/ДОКУМЕНТАЦИИ	ПРОВЕРКА СООТВЕТСТВИЯ	ПРОВЕРКИ ПРИ УСТАНОВКЕ	ПРОВЕРКА ПОСЛЕ УСТАНОВКИ	ПРОВЕРКА СУДОВОЙ ДОКУМЕНТАЦИИ	ПРОВЕРКА В ДЕЙСТВИИ
1.1.4.2. 6	блокировки сажеобдувочных устройств	устройств							
(EI) 1.1.4.2. 7	наблюдение за автоматическим закрытием клапана регулирования давления газа при остановке вентиляторов инертного газа	Клапан регулирования давления газа							X
(EI) 1.1.4.2. 8	проверка, насколько это практически возможно, сигнализации и предохранительных устройств системы инертного газа, применяя, в случае необходимости, моделирование условий:								X
(EI) 1.1.4.2. 8.1	высокого содержания кислорода в газе в магистрали инертного газа	Имитационная проверка сигнализации и предохранительных устройств							X
(EI) 1.1.4.2. 8.2	низкого давления газа в магистрали инертного газа	Имитационная проверка сигнализации и предохранительных устройств							X
(EI) 1.1.4.2. 8.3	низкого давления в трубопроводе, питающем палубный водяной затвор	Имитационная проверка сигнализации и предохранительных устройств							X
(EI) 1.1.4.2. 8.4	повышения температуры газа в магистрали инертного газа	Имитационная проверка сигнализации и предохранительных устройств							X
(EI)	низкого давления воды или низкого расхода	Имитационная проверка сигнализации и							X

	ТРЕБОВАНИЕ РЕЗОЛЮЦИИ А.997 (25)	ОБЪЕКТ ОСВИДЕТЕЛЬСТВОВАНИЯ	ПРОИСХОЖДЕНИЕ ТРЕБОВАНИЯ	СООТВЕТСТВИЕ ОДОБРЕННЫМ ЧЕРТЕЖАМ/ДОКУМЕНТАЦИИ	ПРОВЕРКА СООТВЕТСТВИЯ	ПРОВЕРКИ ПРИ УСТАНОВКЕ	ПРОВЕРКА ПОСЛЕ УСТАНОВКИ	ПРОВЕРКА СУДОВОЙ ДОКУМЕНТАЦИИ	ПРОВЕРКА В ДЕЙСТВИИ
1.1.4.2. 8.5	воды	предохранительных устройств							
(E1) 1.1.4.2. 8.6	точности переносного и стационарного оборудования для замера концентрации кислорода с помощью поверочного/калибровочного газа	Имитационная проверка сигнализации и предохранительных устройств							X
(E1) 1.1.4.2. 8.7	верхнего уровня воды в скруббере	Имитационная проверка сигнализации и предохранительных устройств							X
(E1) 1.1.4.2. 8.8	выхода из строя вентиляторов инертного газа	Имитационная проверка сигнализации и предохранительных устройств							X
(E1) 1.1.4.2. 8.9	прекращения подачи питания к системе автоматического управления клапаном регулирования подачи газа и к приборам постоянного указания и регистрации давления и содержания кислорода в магистрали инертного газа	Имитационная проверка сигнализации и предохранительных устройств							X
(E1) 1.1.4.2. 8.10	высокого давления газа в магистрали инертного газа	Имитационная проверка сигнализации и предохранительных устройств							X
(E1) 1.1.4.2. 9	проверка надлежащего функционирования системы инертного газа после завершения упомянутых выше проверок	Эксплуатационные процедуры системы инертного газа						X	



	ТРЕБОВАНИЕ РЕЗОЛЮЦИИ А.997 (25)	ОБЪЕКТ ОСВИДЕТЕЛЬСТВОВАНИЯ	ПРОИСХОЖДЕНИЕ ТРЕБОВАНИЯ	СООТВЕТСТВИЕ ОДОБРЕННЫМ ЧЕРТЕЖАМ/ДОКУМЕНТАЦИИ	ПРОВЕРКА СООТВЕТСТВИЯ	ПРОВЕРКИ ПРИ УСТАНОВКЕ	ПРОВЕРКА ПОСЛЕ УСТАНОВКИ	ПРОВЕРКА СУДОВОЙ ДОКУМЕНТАЦИИ	ПРОВЕРКА В ДЕЙСТВИИ	
(E1) 1.1.4.3	проверка стационарной системы пожаротушения грузового насосного отделения, подтверждение того, что испытания на месте установки успешно завершены и что органы управления системой имеют четкую маркировку и, если необходимо, проверка функционирования дистанционных средств закрытия различных отверстий	Система пожаротушения грузового насосного отделения	(СОЛАС 74/00, Правило II-2/10.9; Кодекс СПБ, Главы 5,6,7 и 8, в зависимости от того, применимо)	X			X			
		Средства закрытия различных отверстий грузового насосного отделения					X		X	
(E1) 1.1.4.4	проверка защиты грузовых насосных отделений и подтверждение того, что испытания на месте установки успешно завершены	Датчики температуры	(СОЛАС 74/00, Правило II-2/4.5.10) (СОЛАС 74/88, Правила II-2/55-58)	X	X				X	
		Блокировка между освещением и вентиляцией							X	
		Контроль концентрации углекислого газа			X					X
		Контроль осушительной системы								X
(E1) 1.1.5.1	подтверждение того, что на видных местах постоянно вывешены планы противопожарной защиты или, в качестве альтернативы, предусмотрены буклеты по противопожарной безопасности на случай аварии и что экземпляр планов или буклета имеется в отчетливо обозначенной выгородке с наружной стороны рубки	Требуемая документация	(СОЛАС 74/00, Правило II-2/15.2.4) (СОЛАС 74/88, Правило II-2/20)					X		
(E1) 1.1.5.2	подтверждение наличия планов технического обслуживания	Требуемая документация	(СОЛАС 74/00, Правила II-					X		

	ТРЕБОВАНИЕ РЕЗОЛЮЦИИ А.997 (25)	ОБЪЕКТ ОСВИДЕТЕЛЬСТВОВАНИЯ	ПРОИСХОЖДЕНИЕ ТРЕБОВАНИЯ	СООТВЕТСТВИЕ ОДОБРЕННЫМ ЧЕРТЕЖАМ/ДОКУМЕНТАЦИИ	ПРОВЕРКА СООТВЕТСТВИЯ	ПРОВЕРКИ ПРИ УСТАНОВКЕ	ПРОВЕРКА ПОСЛЕ УСТАНОВКИ	ПРОВЕРКА СУДОВОЙ ДОКУМЕНТАЦИИ	ПРОВЕРКА В ДЕЙСТВИИ
			2/14.2.2 и 14.4)						
(E1) / (O/L) 1.1.5.3	подтверждение наличия руководств по обучению мерам пожарной безопасности и буклетов по противопожарной безопасности	Требуемая документация	(СОЛАС 74/00, Правила II-2/15.2.3, 16.2 и 16.3)					X	
(E1) 1.1.5.4	подтверждение, при необходимости, того, что на судне имеется документ, указывающий, что оно отвечает специальным требованиям, предъявляемым к перевозке опасных грузов	Требуемая документация	(СОЛАС 74/00, Правило II-2/19.4) (СОЛАС 74/88, Правило II-2/54(3))					X	
(E1) 1.1.5.5	подтверждение того, что для каждого находящегося на борту человека имеются инструкции на случай аварии, что расписание по тревогам вывешено на видных местах и составлено на языке, понятном для находящихся на борту людей	Требуемая документация	(СОЛАС 74/00, Правила III/8 и 37)					X	
(E1) 1.1.5.6	подтверждение наличия на судне Руководства по оставлению судна и судовых пособий по подготовке в отношении применения спасательных средств	Требуемая документация	(СОЛАС 74/00, Правило III/35)					X	
(E1) 1.1.5.7	подтверждение наличия инструкций по техническому обслуживанию на судне спасательных средств	Требуемая документация	(СОЛАС 74/88, Правило III/36)					X	

	ТРЕБОВАНИЕ РЕЗОЛЮЦИИ А.997 (25)	ОБЪЕКТ ОСВИДЕТЕЛЬСТВОВАНИЯ	ПРОИСХОЖДЕНИЕ ТРЕБОВАНИЯ	СООТВЕТСТВИЕ ОДОБРЕННЫМ ЧЕРТЕЖАМ/ДОКУМЕНТАЦИИ	ПРОВЕРКА СООТВЕТСТВИЯ	ПРОВЕРКИ ПРИ УСТАНОВКЕ	ПРОВЕРКА ПОСЛЕ УСТАНОВКИ	ПРОВЕРКА СУДОВОЙ ДОКУМЕНТАЦИИ	ПРОВЕРКА В ДЕЙСТВИИ
(E) 1.1.5.8	подтверждение того, что предусмотрена таблица или кривая остаточной девиации магнитного компаса и что вывешена диаграмма теневых секторов радиолокационных станций	Требуемая документация	(СОЛАС 74/00, Правило V/19)					X	
(E) 1.1.5.9	проверка, устанавливающая наличие Руководства по эксплуатации и, при необходимости, руководства по техническому обслуживанию и ремонту всего навигационного оборудования	Требуемая документация	(СОЛАС 74/00, Правило V/16)					X	
(E) 1.1.5.10	проверка, устанавливающая наличие откорректированных морских навигационных карт и морских навигационных пособий, необходимых для предстоящего рейса	Требуемая документация	(СОЛАС 74/88, Правило V/27)					X	
(E) 1.1.5.11	проверка наличия Международного свода сигналов и экземпляра тома III Международного авиационного и морского наставления по поиску и спасанию (ИАМСАР)	Требуемая документация	(СОЛАС 74/00/02, Правило V/21)					X	
(E) 1.1.5.12	проверка того, что ведется регистрация событий, связанных с судовождением, а также ежедневные отчеты	Требуемая документация	(СОЛАС 74/00/03, Правило V/28)					X	
(E)	проверка наличия спасательных сигналов для использования терпящими бедствие морскими	Требуемая документация	(СОЛАС 74/00,					X	

	ТРЕБОВАНИЕ РЕЗОЛЮЦИИ А.997(25)	ОБЪЕКТ ОСВИДЕТЕЛЬСТВОВАНИЯ	ПРОИСХОЖДЕНИЕ ТРЕБОВАНИЯ	СООТВЕТСТВИЕ ОДОБРЕННЫМ ЧЕРТЕЖАМ/ДОКУМЕНТАЦИИ	ПРОВЕРКА СООТВЕТСТВИЯ	ПРОВЕРКИ ПРИ УСТАНОВКЕ	ПРОВЕРКА ПОСЛЕ УСТАНОВКИ	ПРОВЕРКА СУДОВОЙ ДОКУМЕНТАЦИИ	ПРОВЕРКА В ДЕЙСТВИИ
1.1.5.13	и воздушными судами или людьми		Правило V/29)						
(EI) 1.1.5.14	проверка наличия Журнала непрерывной регистрации истории судна	Требуемая документация	судна (СОЛАС 74/02, Правило XI-1/5)					X	
(EI) 1.1.6.1	подтверждение, где это применимо, того, что предусмотрено Руководство по эксплуатации системы инертного газа	Требуемая документация	(Кодекс СПБ, Глава 15, пункт 2.4.4) (СОЛАС 74/88, Правило II-2/62.21).					X	

**Таблица 2. Грузовая марка**

	ТРЕБОВАНИЕ РЕЗОЛЮЦИИ А.997 (25)	ОБЪЕКТ ОСВИДЕТЕЛЬСТВОВАНИЯ	ПРОИСХОЖДЕНИЕ ТРЕБОВАНИЯ	СООТВЕТСТВИЕ ОДОБРЕННЫМ ЧЕРТЕЖАМ/ДОКУМЕНТАЦИИ	ПРОВЕРКА СООТВЕТСТВИЯ	ОСВИДЕТЕЛЬСТВОВАНИЕ ПРИ ПОСТРОЙКЕ ИЛИ УСТАНОВКЕ	ПРОВЕРКА НА ГЕРМЕТИЧНОСТЬ	ОСВИДЕТЕЛЬСТВОВАНИЕ ПОСЛЕ ПОСТРОЙКИ ИЛИ УСТАНОВКИ	ПРОВЕРКА В ДЕЙСТВИИ	ПРОВЕРКА СУДОВОЙ ДОКУМЕНТАЦИИ
(L1) 1.1.2.	Для грузовой марки освидетельствование при постройке и после установки должно включать:									
(L1) 1.1.2.2	подтверждение того, что палубная линия и знак грузовой марки нанесены надлежащим образом	Нанесение палубной линии и знака грузовой марки	(КГМ 66/88, Правила 4-9)	X				X		
(L1) 1.1.2.3	засвидетельствование результатов кренования и взвешивания	Опыт кренования	(КГМ 66/88, Правило 10)	X				X		
(L1) 1.1.2.4	осмотр концевых переборок надстроек и отверстий в них	Концевые переборки надстроек	(КГМ 66/88, Правила 11 и 12)							
		Отверстия в концевых переборках надстроек		X	X		X	X		
(L1) 1.1.2.5	проверка непроницаемых при воздействии моря задраивающих устройств грузовых люков, других	Палуба надводного борта - непроницаемые при воздействии моря задраивающие устройства грузовых люков		X		X	X		X	

	ТРЕБОВАНИЕ РЕЗОЛЮЦИИ А.997 (25)	ОБЪЕКТ ОСВИДЕТЕЛЬСТВОВАНИЯ	ПРОИСХОЖДЕНИЕ ТРЕБОВАНИЯ	СООТВЕТСТВИЕ ОДОБРЕННЫМ ЧЕРТЕЖАМ/ДОКУМЕНТАЦИИ	ПРОВЕРКА СООТВЕТСТВИЯ	ОСВИДЕТЕЛЬСТВОВАНИЕ ПРИ ПОСТРОЙКЕ ИЛИ УСТАНОВКЕ	ПРОВЕРКА НА ГЕРМЕТИЧНОСТЬ	ОСВИДЕТЕЛЬСТВОВАНИЕ ПОСЛЕ ПОСТРОЙКИ ИЛИ УСТАНОВКИ	ПРОВЕРКА В ДЕЙСТВИИ	ПРОВЕРКА СУДОВОЙ ДОКУМЕНТАЦИИ
	люков и прочих отверстий на палубах надводного борта и надстроек	Палуба надводного борта - непроницаемые при воздействии моря заdraивающие устройства других люков	(КГМ 66/88, Правила 13-18);	X			X		X	
		Палуба надводного борта – непроницаемые при воздействии моря заdraивающие устройства других отверстий		X			X		X	
		Палуба надстройки - непроницаемые при воздействии моря заdraивающие устройства грузовых люков		X		X	X		X	
		Палуба надстройки - непроницаемые при воздействии моря заdraивающие устройства других люков		X			X		X	
		Палуба надстройки - непроницаемые при воздействии моря заdraивающие устройства других отверстий		X			X		X	
(L) 1.1.2.6	проверка вентиляторов и воздушных труб, включая их комингсы и закрытия отверстий	Вентиляторы и воздушные трубы, включая их комингсы и закрытия отверстий	(КГМ 66/88, Правила 19 и 20)	X	X			X		
(L)		Закрытия любых открытий в	(КГМ 66/88,	X	X		X	X	X	

	ТРЕБОВАНИЕ РЕЗОЛЮЦИИ А.997 (25)	ОБЪЕКТ ОСВИДЕТЕЛЬСТВОВАНИЯ	ПРОИСХОЖДЕНИЕ ТРЕБОВАНИЯ	СООТВЕТСТВИЕ ОДОБРЕННЫМ ЧЕРТЕЖАМ/ДОКУМЕНТАЦИИ	ПРОВЕРКА СООТВЕТСТВИЯ	ОСВИДЕТЕЛЬСТВОВАНИЕ ПРИ ПОСТРОЙКЕ ИЛИ УСТАНОВКЕ	ПРОВЕРКА НА ГЕРМЕТИЧНОСТЬ	ОСВИДЕТЕЛЬСТВОВАНИЕ ПОСЛЕ ПОСТРОЙКИ ИЛИ УСТАНОВКИ	ПРОВЕРКА В ДЕЙСТВИИ	ПРОВЕРКА СУДОВОЙ ДОКУМЕНТАЦИИ
1.1.2.7	проверка водонепроницаемости закрытий любых отверстий в борту судна ниже палубы надводного борта	борту судна ниже палубы надводного борта	Правило 21)							
(L) 1.1.2.8	проверка шпигатов, приемных и отливных отверстий	Шпигаты, приемные и отливные отверстия	(КГМ 66/88, Правило 22)	X	X			X		
(L) 1.1.2.9	проверка мусоропроводов	Мусоропровод	(КГМ 66/88/03, Правило 22-1)	X		X	X			
(L) 1.1.2.10	проверка труб цепных клюзов и цепных ящиков	Трубы цепных клюзов	(КГМ 66/88/03, Правило 22-2)	X		X	X			
		Цепные ящики		X		X	X			
(L) 1.1.2.11	проверка бортовых иллюминаторов и штормовых крышек	Бортовые иллюминаторы и штормовые крышки	(КГМ 66/88, Правило 23)	X	X		X	X		
(L) 1.1.2.12	проверка фальшборта, включая наличие штормовых портиков, обращая особое внимание на любые штормовые портики с крышками	Фальшборты	(КГМ 66/88/03, Правила 24 и 25)	X				X		
		Штормовые портики		X				X		
		Штормовые портики, снабженные крышками		X				X	X	
		Леерные ограждения								

	ТРЕБОВАНИЕ РЕЗОЛЮЦИИ А.997(25)	ОБЪЕКТ ОСВИДЕТЕЛЬСТВОВАНИЯ	ПРОИСХОЖДЕНИЕ ТРЕБОВАНИЯ	СООТВЕТСТВИЕ ОДОБРЕННЫМ ЧЕРТЕЖАМ/ДОКУМЕНТАЦИИ	ПРОВЕРКА СООТВЕТСТВИЯ	ОСВИДЕТЕЛЬСТВОВАНИЕ ПРИ ПОСТРОЙКЕ ИЛИ УСТАНОВКЕ	ПРОВЕРКА НА ГЕРМЕТИЧНОСТЬ	ОСВИДЕТЕЛЬСТВОВАНИЕ ПОСЛЕ ПОСТРОЙКИ ИЛИ УСТАНОВКИ	ПРОВЕРКА В ДЕЙСТВИИ	ПРОВЕРКА СУДОВОЙ ДОКУМЕНТАЦИИ
(L) 1.1.2.13	проверка леерных ограждений, переходных мостиков, проходов и других средств, предусмотренных для защиты экипажа, и средств для обеспечения безопасного прохода экипажа	Переходные мостики	(КГМ 66/88/03, Правила 25, 25-1)	X				X		
Проходы										
Другие средства										
(L) 1.1.2.14	проверка выполнения специальных требований в отношении судов, которым разрешено плавать с надводным бортом типа «А» или «В-минус»	Машинные кожухи/шахты	(КГМ 66/88/03, Правило 26, 27)	X			X	X		
Машинные шахты										
Переходной мостик и средства доступа										
Люки										
(L) 1.1.2.15	проверка, если применимо, устройств и приспособлений для лесных палубных грузов	Устройства для стока воды с палуб	(КГМ 66/88, Правило 42-45)	X				X		
		Стойки								
		Найтовы								
		Остойчивость								
(L) 1.1.3.1	проверка, устанавливающая, что капитану судна предоставлена информация о загрузке и балластировке	Защита экипажа	(КГМ 66/88, Правило 10)	X				X		X
		Инструкция по загрузке и Информация об остойчивости								



**Таблица 3. Приложение к МАРПОЛ**

	ТРЕБОВАНИЕ РЕЗОЛЮЦИИ А.997 (25)	ОБЪЕКТ ОСВИДЕТЕЛЬСТВОВАНИЯ	ПРОИСХОЖДЕНИЕ ТРЕБОВАНИЯ	СООТВЕТСТВИЕ ОДОБРЕННЫМ ЧЕРТЕЖАМ/ДОКУМЕНТАЦИИ	ПРОВЕРКА СООТВЕТСТВИЯ	ОСВИДЕТЕЛЬСТВОВАНИЕ ПРИ ПОСТРОЙКЕ ИЛИ УСТАНОВКЕ	ОСВИДЕТЕЛЬСТВОВАНИЕ ПОСЛЕ ПОСТРОЙКИ ИЛИ УСТАНОВКИ	ПРОВЕРКА СУДОВОЙ ДОКУМЕНТАЦИИ	ПРОВЕРКА В ДЕЙСТВИИ
<b>Требования ко всем судам</b>									
(OI) 1.1.3.1.	подтверждение удовлетворительной установки и работоспособности там, где применимо, оборудования для фильтрации нефти, и рабочего состояния устройств, обеспечивающих автоматическое прекращение сброса стока и удовлетворительной работы сигнальных устройств или другого оборудования	Оборудование для фильтрации нефти Устройство автоматического прекращения сброса Сигнальные устройства	МАРПОЛ 90/04, Приложение 1, Правило. 14 и 15	X	X			X	X
(OI) 1.1.3.2	подтверждение, где это применимо, того, что прибор для измерения содержания нефти и его регистрирующее устройство находятся в рабочем состоянии, и что на судне есть достаточное количество расходных материалов для его самописца	Прибор для измерения содержания нефти	(МАРПОЛ 90/04, Приложение I, Правило 14 и 15)		X	X			X
		Регистрирующее устройство							
		Расходные материалы							
(OI) 1.1.3.3	испытание, там, где таковое имеется, устройства автоматического прекращения сброса, предусмотренного для сбросов в особых районах	Устройство прекращения сброса	(МАРПОЛ 90/04, Приложение I, Правило 15)						X

	ТРЕБОВАНИЕ РЕЗОЛЮЦИИ А.997 (25)	ОБЪЕКТ ОСВИДЕТЕЛЬСТВОВАНИЯ	ПРОИСХОЖДЕНИЕ ТРЕБОВАНИЯ	СООТВЕТСТВИЕ ОДОБРЕННЫМ ЧЕРТЕЖАМ/ДОКУМЕНТАЦИИ	ПРОВЕРКА СООТВЕТСТВИЯ	ОСВИДЕТЕЛЬСТВОВАНИЕ ПРИ ПОСТРОЙКЕ ИЛИ УСТАНОВКЕ	ОСВИДЕТЕЛЬСТВОВАНИЕ ПОСЛЕ ПОСТРОЙКИ ИЛИ УСТАНОВКИ	ПРОВЕРКА СУДОВОЙ ДОКУМЕНТАЦИИ	ПРОВЕРКА В ДЕЙСТВИИ
(ОІ) 1.1.3.4	подтверждение наличия разделения систем для нефти и водяного балласта, а также подтверждения того, что нефть не перевозится в форпиковой цистерне	Разделение водяного балласта и нефти Перевозка нефти в форпиковой цистерне	(МАРПОЛ 90/04 Приложение I, Правило 16)	X		X			
(ОІ) 1.1.3.5	подтверждение того, что танк для сбора нефтяных остатков (шлама - нефтесодержащих осадков) и его системы сброса находятся в удовлетворительном состоянии, и, что размер шламового танка одобрен из расчета таких устройств, подтверждение надлежащей работы гомогенизаторов, инсинераторов нефтяных остатков и прочих признанных средств контроля за шламом	Танк для сбора нефтяных остатков (нефтесодержащих осадков)	(МАРПОЛ 90/04, Приложение I, Правило 12)	X			X		
		Система сброса		X			X		
		Одобренный размер шламового танка		X			X		
		Инсинераторы/гомогенизаторы		X	X		X		X
(ОІ) 1.1.3.6	подтверждение наличия стандартного сливного соединения	Стандартное сливное соединение	(МАРПОЛ 90/04, Приложение I, Правило 13)				X		
(ОІ) 1.1.3.7	подтверждения наличия защиты топливного танка	Расположение танка	(МАРПОЛ 90/04, Приложение I, Правило 12А)	X		X			
<b>Дополнительные требования к нефтеналивным судам</b>									
(ОІ) 1.1.4.1	подтверждение того, что расположение отстойных танков или грузовых танков,	Отстойные танки	(МАРПОЛ 90/04, Приложение I,						

	ТРЕБОВАНИЕ РЕЗОЛЮЦИИ А.997 (25)	ОБЪЕКТ ОСВИДЕТЕЛЬСТВОВАНИЯ	ПРОИСХОЖДЕНИЕ ТРЕБОВАНИЯ	СООТВЕТСТВИЕ ОДОБРЕННЫМ ЧЕРТЕЖАМ/ДОКУМЕНТАЦИИ	ПРОВЕРКА СООТВЕТСТВИЯ	ОСВИДЕТЕЛЬСТВОВАНИЕ ПРИ ПОСТРОЙКЕ ИЛИ УСТАНОВКЕ	ОСВИДЕТЕЛЬСТВОВАНИЕ ПОСЛЕ ПОСТРОЙКИ ИЛИ УСТАНОВКИ	ПРОВЕРКА СУДОВОЙ ДОКУМЕНТАЦИИ	ПРОВЕРКА В ДЕЙСТВИИ
	использующихся в качестве отстойных танков, а также присоединенных к ним трубопроводов, является удовлетворительным	Грузовые танки, используемые как отстойные	Правило 29 и 34)						
(OI) 1.1.4.2	подтверждение удовлетворительной установки и функционирования системы автоматического замера, регистрации и управления сбросом нефти, включая любую звуковую и световую сигнализацию, а также автоматических и ручных средств для остановки стока, перекрывающего устройства, точности расходомера и выполнения применимых требований Резолюции в отношении освидетельствования при установке	Система автоматического замера, регистрации и управления сбросом нефти	(МАРПОЛ 90/04, Приложение I, Правило 31 и 34)	X	X		X		X
		Звуковая и световая сигнализации					X		X
		Автоматические и ручные средства для остановки стока					X		X
		Перекрывающее устройство					X		X
		Точность расходомера					Ж		Ж
(OI) 1.1.4.3	подтверждение того, что прибор для измерения содержания нефти (сигнализатор) и его регистрирующее устройство находятся в рабочем состоянии, и что на судне есть достаточное количество расходных материалов для его самописца	Прибор для измерения содержания нефти и регистрирующее устройство	(МАРПОЛ 90/04, (МАРПОЛ 90/04, Приложение I, Правило 31 и 34)		X		X		X

	ТРЕБОВАНИЕ РЕЗОЛЮЦИИ А.997 (25)	ОБЪЕКТ ОСВИДЕТЕЛЬСТВОВАНИЯ	ПРОИСХОЖДЕНИЕ ТРЕБОВАНИЯ	СООТВЕТСТВИЕ ОДОБРЕННЫМ ЧЕРТЕЖАМ/ДОКУМЕНТАЦИИ	ПРОВЕРКА СООТВЕТСТВИЯ	ОСВИДЕТЕЛЬСТВОВАНИЕ ПРИ ПОСТРОЙКЕ ИЛИ УСТАНОВКЕ	ОСВИДЕТЕЛЬСТВОВАНИЕ ПОСЛЕ ПОСТРОЙКИ ИЛИ УСТАНОВКИ	ПРОВЕРКА СУДОВОЙ ДОКУМЕНТАЦИИ	ПРОВЕРКА В ДЕЙСТВИИ
(OI) 1.1.4.4	подтверждения того, что установленный на борту прибор определения границы раздела «нефть-вода» – одобренного типа и находится в рабочем состоянии	Прибор определения границы раздела «нефть-вода»	(МАРПОЛ 90/04, Приложение I, Правило 32)		X		X		
(OI) 1.1.4.5	подтверждение того, что устройство насосов, труб и клапанов соответствует требованиям, предъявляемым к системе изолированного балласта, а также подтверждение того, что между грузовой системой и системой изолированного балласта не установлено соединений	Танки изолированного балласта: насосы, трубы и клапаны	(МАРПОЛ 90/04, Приложение I, правило 18)	X			X		
(OI) 1.1.4.6	подтверждение того, что съемный патрубков, если он предусмотрен для аварийного сброса изолированного балласта путем присоединения системы изолированного балласта к грузовому насосу, установлен на видном месте в грузовом насосном отделении и снабжен постоянной табличкой с надписью, ограничивающей его применение, а на самом съемном патрубке изолированного балласта установлены невозвратные клапаны	Танки изолированного балласта: аварийный сброс	(МАРПОЛ 90/04, Приложение I, Правило 18)	X			X		
(OI) 1.1.4.7	проверка трубопроводов балластной системы, которые проходят через	Трубопроводы	(МАРПОЛ 90/04, Приложение I,	X			X		

	ТРЕБОВАНИЕ РЕЗОЛЮЦИИ А.997(25)	ОБЪЕКТ ОСВИДЕТЕЛЬСТВОВАНИЯ	ПРОИСХОЖДЕНИЕ ТРЕБОВАНИЯ	СООТВЕТСТВИЕ ОДОБРЕННЫМ ЧЕРТЕЖАМ/ДОКУМЕНТАЦИИ	ПРОВЕРКА СООТВЕТСТВИЯ	ОСВИДЕТЕЛЬСТВОВАНИЕ ПРИ ПОСТРОЙКЕ ИЛИ УСТАНОВКЕ	ОСВИДЕТЕЛЬСТВОВАНИЕ ПОСЛЕ ПОСТРОЙКИ ИЛИ УСТАНОВКИ	ПРОВЕРКА СУДОВОЙ ДОКУМЕНТАЦИИ	ПРОВЕРКА В ДЕЙСТВИИ
	грузовые танки, а также грузовых трубопроводов, которые проходят через балластные танки, чтобы убедиться, что не произошло перекрестного загрязнения		Правило 18)						
(OI) 1.1.4.8	подтверждение того, что система мойки сырой нефтью установлена в соответствии с утвержденными планами, и в частности:		(МАРПОЛ 90/04, Приложение I, Правило 18 и 33)						
(OI) 1.1.4.8 1	осмотр трубопроводов системы мойки сырой нефтью, насосов, клапанов и моечных машинок, установленных на палубе, на предмет наличия или отсутствия следов протечек, а также с целью проверки того, что все крепления трубопровода системы мойки сырой нефтью не повреждены и надежно закреплены	Трубопроводы, насосы, и крепящие устройства					X		
(OI) 1.1.4.8 2	испытание пробным давлением системы мойки сырой нефтью, превышающим рабочее давление в 1,5 раза	Испытание пробным давлением					X		
(OI) 1.1.4.8 3	подтверждение того, что рабочие приводы находятся на борту в количестве, указанном в Руководстве по оборудованию и эксплуатации, для тех случаев, когда приводы не являются частью моечных машинок танков	Рабочие приводы					X		

	ТРЕБОВАНИЕ РЕЗОЛЮЦИИ А.997(25)	ОБЪЕКТ ОСВИДЕТЕЛЬСТВОВАНИЯ	ПРОИСХОЖДЕНИЕ ТРЕБОВАНИЯ	СООТВЕТСТВИЕ ОДОБРЕННЫМ ЧЕРТЕЖАМ/ДОКУМЕНТАЦИИ	ПРОВЕРКА СООТВЕТСТВИЯ	ОСВИДЕТЕЛЬСТВОВАНИЕ ПРИ ПОСТРОЙКЕ ИЛИ УСТАНОВКЕ	ОСВИДЕТЕЛЬСТВОВАНИЕ ПОСЛЕ ПОСТРОЙКИ ИЛИ УСТАНОВКИ	ПРОВЕРКА СУДОВОЙ ДОКУМЕНТАЦИИ	ПРОВЕРКА В ДЕЙСТВИИ
(ОП) 1.1.4.8 4	проверка того, что паровые подогреватели воды для мойки танков, если они установлены, могут надежно изолироваться во время мойки сырой нефтью либо двойными запорными клапанами, либо легко различимыми заглушками	Паровые подогреватели					X		X
(ОП) 1.1.4.8 5	проверка того, что предписанные средства связи между вахтенным на палубе и постом управления грузовыми операциями находятся в рабочем состоянии	Средства связи					X		X
(ОП) 1.1.4.8 6	подтверждение того, что предохранительное устройство для предотвращения избыточного давления (или иное одобренное устройство) установлено на насосах системы мойки сырой нефтью	Предохранительное устройство для предотвращения избыточного давления					X		X
(ОП) 1.1.4.8 7	проверка того, что гибкие шланги для подачи нефти к моечным машинкам на комбинированных судах – одобренного типа, хранятся надлежащим образом и находятся в удовлетворительном состоянии;	Гибкие шланги			X		X		
(ОП) 1.1.4.9	подтверждение эффективности системы мойки сырой нефтью, в частности:	Системы мойки сырой нефтью: эффективность	(МАРПОЛ 90/04, Приложение I, Правило 33)						

	ТРЕБОВАНИЕ РЕЗОЛЮЦИИ А.997 (25)	ОБЪЕКТ ОСВИДЕТЕЛЬСТВОВАНИЯ	ПРОИСХОЖДЕНИЕ ТРЕБОВАНИЯ	СООТВЕТСТВИЕ ОДОБРЕННЫМ ЧЕРТЕЖАМ/ДОКУМЕНТАЦИИ	ПРОВЕРКА СООТВЕТСТВИЯ	ОСВИДЕТЕЛЬСТВОВАНИЕ ПРИ ПОСТРОЙКЕ ИЛИ УСТАНОВКЕ	ОСВИДЕТЕЛЬСТВОВАНИЕ ПОСЛЕ ПОСТРОЙКИ ИЛИ УСТАНОВКИ	ПРОВЕРКА СУДОВОЙ ДОКУМЕНТАЦИИ	ПРОВЕРКА В ДЕЙСТВИИ
(ОП) 1.1.4.9 1	проверка того, что машинки для мойки сырой нефтью находятся в рабочем состоянии, и проверка надлежащей работы моечных машинок с помощью индикатора перемещения и/или по звуковому рисунку или другими одобренными методами						X		X
(ОП) 1.1.4.9 2	проверка эффективности зачистной системы в соответствующих грузовых танках путем наблюдения за показаниями контролирующего оборудования и ручного замера или другими одобренными средствами								X
(ОП) 1.1.4.9 3	проверка, путем внутреннего осмотра танков после мойки сырой нефтью, того, что порядок установки системы и методы ее эксплуатации, изложенные в Руководстве по оборудованию и эксплуатации системы, являются удовлетворительными								<u>X</u>
(ОП) 1.1.4.10	подтверждения того, что в тех случаях, когда имеется система мойки сырой нефтью, система инертного газа установлена и испытана в соответствии с требованиями СОЛАС 74/88/2000 (см. (ЕІ) 1.1.4.2 в Приложении 1);	Системы мойки сырой нефтью: общие положения			X		X		X

	ТРЕБОВАНИЕ РЕЗОЛЮЦИИ А.997(25)	ОБЪЕКТ ОСВИДЕТЕЛЬСТВОВАНИЯ	ПРОИСХОЖДЕНИЕ ТРЕБОВАНИЯ	СООТВЕТСТВИЕ ОДОБРЕННЫМ ЧЕРТЕЖАМ/ДОКУМЕНТАЦИИ	ПРОВЕРКА СООТВЕТСТВИЯ	ОСВИДЕТЕЛЬСТВОВАНИЕ ПРИ ПОСТРОЙКЕ ИЛИ УСТАНОВКЕ	ОСВИДЕТЕЛЬСТВОВАНИЕ ПОСЛЕ ПОСТРОЙКИ ИЛИ УСТАНОВКИ	ПРОВЕРКА СУДОВОЙ ДОКУМЕНТАЦИИ	ПРОВЕРКА В ДЕЙСТВИИ
(OI) 1.1.4.11	подтверждение, как применимо, что устройства по предотвращению загрязнения нефтью в случае столкновения или посадки судна на мель соответствуют одобренным планам чрезвычайных мер	Загрязнение нефтью вследствие столкновения или посадки на мель	(МАРПОЛ 90/04, Приложение I, Правило 19-22)	X			X		
(OI) 1.1.4.12	подтверждение того, что системы трубопроводов, связанные со сбросом загрязненного водяного балласта или нефтесодержащей воды, находятся в удовлетворительном состоянии	Насосы, трубопроводы и устройства сброса	(МАРПОЛ 90/04, Приложение I, Правило 30)	X			X		
(OI) 1.1.4.13	подтверждение того, что места наблюдения за сбросом загрязненной нефтью воды, включая проверку средств связи между местом наблюдения за сбросом и местом управления сбросом, находятся в удовлетворительном состоянии		(МАРПОЛ 90/04, Приложение I, Правило 30)						
(OI) 1.1.4.14	подтверждение того, что средства для осушения грузовых насосов и грузовых трубопроводов, включая обеспечение работы зачистного устройства и соединений трубопроводов для	Средства для осушения и зачистное устройство	(МАРПОЛ 90/04, Приложение I, Правило 30)	X			X		



	ТРЕБОВАНИЕ РЕЗОЛЮЦИИ А.997(25)	ОБЪЕКТ ОСВИДЕТЕЛЬСТВОВАНИЯ	ПРОИСХОЖДЕНИЕ ТРЕБОВАНИЯ	СООТВЕТСТВИЕ ОДОБРЕННЫМ ЧЕРТЕЖАМ/ДОКУМЕНТАЦИИ	ПРОВЕРКА СООТВЕТСТВИЯ	ОСВИДЕТЕЛЬСТВОВАНИЕ ПРИ ПОСТРОЙКЕ ИЛИ УСТАНОВКЕ	ОСВИДЕТЕЛЬСТВОВАНИЕ ПОСЛЕ ПОСТРОЙКИ ИЛИ УСТАНОВКИ	ПРОВЕРКА СУДОВОЙ ДОКУМЕНТАЦИИ	ПРОВЕРКА В ДЕЙСТВИИ
	откачки/сброса стоков в отстойные или грузовые танки или на берег, находятся в удовлетворительном состоянии	Средства откачки в отстойные или грузовые танки или сброса стоков на берег							
(OI) 1.1.4.16	подтверждение того, что соответствующие запорные устройства, установленные в системе перекачки груза и на грузовых трубопроводах, находятся в удовлетворительном состоянии	Запорные устройства	(МАРПОЛ 90/04, Приложение I, Правило 23 и 26)						X
(OI) 1.1.4.17	подтверждение того, что деление на отсеки и остойчивость, в дополнение к требованиям (OI) 1.1.4.16, для предотвращения прогрессивного затопления, являются удовлетворительными	Информация об остойчивости Расположение танков	(МАРПОЛ 90/04, Приложение I, Правило 23 и 26)	X			X	X	
(OI) 1.1.4.18	подтверждение того, что устройства для защиты днища грузовых насосных отделений (двойное дно, где это необходимо) соответствуют требованиям	Расположение танков	(МАРПОЛ 90/04, Приложение I, Правило 22)	X			X		
<b>Требования для всех судов</b>									

	ТРЕБОВАНИЕ РЕЗОЛЮЦИИ А.997 (25)	ОБЪЕКТ ОСВИДЕТЕЛЬСТВОВАНИЯ	ПРОИСХОЖДЕНИЕ ТРЕБОВАНИЯ	СООТВЕТСТВИЕ ОДОБРЕННЫМ ЧЕРТЕЖАМ/ДОКУМЕНТАЦИИ	ПРОВЕРКА СООТВЕТСТВИЯ	ОСВИДЕТЕЛЬСТВОВАНИЕ ПРИ ПОСТРОЙКЕ ИЛИ УСТАНОВКЕ	ОСВИДЕТЕЛЬСТВОВАНИЕ ПОСЛЕ ПОСТРОЙКИ ИЛИ УСТАНОВКИ	ПРОВЕРКА СУДОВОЙ ДОКУМЕНТАЦИИ	ПРОВЕРКА В ДЕЙСТВИИ
(OI) 1.1.5.1	подтверждение того, что свидетельства о типовом одобрении оборудования для фильтрации нефти и приборов для измерения содержания нефти имеются в наличии	Свидетельства о типовом одобрении	(МАРПОЛ 90/04, Приложение I, Правило 14)		X			X	
(OI) 1.1.5.2	подтверждение того, что Журнал нефтяных операций (Часть I) имеется в наличии	Журнал нефтяных операций	(МАРПОЛ 90/04, Приложение I, Правило 17)					X	
(OI) 1.1.5.3	подтверждение того, что Судовой план чрезвычайных мер по борьбе с загрязнением нефтью, или, в случае, если судно – химовоз или нефтепродуктовоз, Судовой план чрезвычайных мер по борьбе с загрязнением моря имеется на судне	Судовой план чрезвычайных мер по борьбе с загрязнением нефтью/ Судовой план чрезвычайных мер по борьбе с загрязнением моря	(МАРПОЛ 90/04, Приложение I, Правило 37)	X				X	
(OI) 1.1.5.4	подтверждение того, что Руководство по оборудованию и эксплуатации для сепаратора льяльных вод на 15 млн <sup>-1</sup> , а также для сигнализатора на 15 млн <sup>-1</sup> , имеются в наличии.	Руководство по эксплуатации						X	
<b>Дополнительные требования к нефтеналивным судам</b>									
(OI) 1.1.6.2	подтверждение того, что там, где это необходимо, предусмотрено Руководство по оборудованию и	Руководство по оборудованию и эксплуатации системы мойки сырой нефтью	(МАРПОЛ 90/04, Приложение I, Правило 35)	X				X	

	ТРЕБОВАНИЕ РЕЗОЛЮЦИИ А.997 (25)	ОБЪЕКТ ОСВИДЕТЕЛЬСТВОВАНИЯ	ПРОИСХОЖДЕНИЕ ТРЕБОВАНИЯ	СООТВЕТСТВИЕ ОДОБРЕННЫМ ЧЕРТЕЖАМ/ДОКУМЕНТАЦИИ	ПРОВЕРКА СООТВЕТСТВИЯ	ОСВИДЕТЕЛЬСТВОВАНИЕ ПРИ ПОСТРОЙКЕ ИЛИ УСТАНОВКЕ	ОСВИДЕТЕЛЬСТВОВАНИЕ ПОСЛЕ ПОСТРОЙКИ ИЛИ УСТАНОВКИ	ПРОВЕРКА СУДОВОЙ ДОКУМЕНТАЦИИ	ПРОВЕРКА В ДЕЙСТВИИ
	эксплуатации системы мойки сырой нефтью								
(ОП) 1.1.6.3	подтверждение того, что Руководство по эксплуатации системы автоматического замера, регистрации и управления сбросом нефти предусмотрено вместе с любой другой документацией, требующейся по соответствующей резолюции	Руководство по эксплуатации системы автоматического замера, регистрации и управления сбросом нефти	(МАРПОЛ 90/04, Приложение I, Правило 31)	X				X	
(ОП) 1.1.6.4	подтверждение того, что свидетельства о типовом одобрении прибора для измерения содержания нефти, системы автоматического замера, регистрации и управления сбросом нефти и индикаторов поверхности раздела "нефть-вода" имеются в наличии	Свидетельства о типовом одобрении	(МАРПОЛ 90/04, Приложение I, Правило 31 и 32)					X	
(ОП) 1.1.6.5	подтверждение того, что Журнал нефтяных операций (Часть II) имеется в наличии	Журнал нефтяных операций	(МАРПОЛ 90/04, Приложение I, Правило 36)					X	
(ОП) 1.1.6.7	подтверждение того, что информация о делении на отсеки и об аварийной остойчивости судна имеется в наличии		(МАРПОЛ 90/04, Приложение I, Правило 28)	X				X	
(ОП) 1.1.6.8	подтверждение того, что Судовой план чрезвычайных мер по борьбе с загрязнением нефтью, или, если судно – химовоз или нефтепродуктовоз, -	Судовой план чрезвычайных мер по борьбе с загрязнением нефтью / Судовой план чрезвычайных мер по борьбе с загрязнением моря	(МАРПОЛ 90/04, Приложение I, Правило 37)	X				X	

	ТРЕБОВАНИЕ РЕЗОЛЮЦИИ А.997(25)	ОБЪЕКТ ОСВИДЕТЕЛЬСТВОВАНИЯ	ПРОИСХОЖДЕНИЕ ТРЕБОВАНИЯ	СООТВЕТСТВИЕ ОДОБРЕННЫМ ЧЕРТЕЖАМ/ДОКУМЕНТАЦИИ	ПРОВЕРКА СООТВЕТСТВИЯ	ОСВИДЕТЕЛЬСТВОВАНИЕ ПРИ ПОСТРОЙКЕ ИЛИ УСТАНОВКЕ	ОСВИДЕТЕЛЬСТВОВАНИЕ ПОСЛЕ ПОСТРОЙКИ ИЛИ УСТАНОВКИ	ПРОВЕРКА СУДОВОЙ ДОКУМЕНТАЦИИ	ПРОВЕРКА В ДЕЙСТВИИ
	Судовой план чрезвычайных мер по борьбе с загрязнением моря имеется в наличии								
(ОП) 1.1.6.9	подтверждение для нефтеналивных судов дедвейтом 5000 тонн и более, поставленных 1 февраля 2002 года или после этой даты, того, что их остойчивость в неповрежденном состоянии была одобрена	Информация об остойчивости	(МАРПОЛ 90/04, Приложение I, Правило 27)	X				X	
(ОП) 1.1.6.10	подтверждение, для нефтеналивных судов дедвейтом 5000 тонн и более, того, что имеется быстрый доступ к компьютеризированным береговым программам расчета остойчивости в поврежденном состоянии и остаточной конструктивной прочности	Средства для обеспечения быстрого доступа к компьютеризированным береговым программам расчета остойчивости в поврежденном состоянии	(МАРПОЛ 90/04, Приложение I, Правило 37.4)					X	

**SC  
249****Implementation of SOLAS II-1, Regulation 3-5  
and MSC.1/Circ.1379**

(Oct  
2011)  
(Corr.1  
Apr  
2012)  
(Rev.1  
Feb  
2013)

**SOLAS Chapter II-1, Regulation 3-5**

*“From 1 January 2011, for all ships, new installation of materials which contain asbestos shall be prohibited.”*

**MSC.1/Circ.1379**

*“In the context of this regulation, new installation of materials containing asbestos means any new physical installation on board. Any material purchased prior to 1 January 2011 being kept in the ship’s store or in the shipyard for a ship under construction, should not be permitted to be installed after 1 January 2011 as a working part.”*

**Unified Interpretations****SOLAS II-1, Regulation 3-5**

1. Verification that “new installation of materials which contain asbestos” under SOLAS II-1/3-5 is not made on ships requires the Recognized Organization to review asbestos-free declarations and supporting documentation, for the structure, machinery, electrical installations and equipment covered by the SOLAS Convention, which is to be provided to the Recognized Organization by shipyards, repair yards, and equipment manufacturers taking into account appendix 8 of the 2011 Guidelines for the development of the inventory of hazardous materials (resolution MEPC.197(62)) for:

- new construction (keel laid, or at a similar stage of construction, on or after 1 July 2012);
- conversions (contract date for the conversion or, in the absence of a contract, the date on which the work identifiable with the specific conversion begins) on or after 1 July 2012;

---

**NOTES:**

1. This ~~is~~ Unified Interpretation is to be uniformly implemented by IACS Societies ~~as seen as possible, but~~ not later than 1 July 2012.
2. Revision 1 of this Unified Interpretation is to be uniformly implemented by IACS Societies not later than 1 July 2013.

**SC  
249**  
(cont)**MSC.1/Circ.1379**

2. The phrase "*new installation of materials containing asbestos*" in MSC.1/Circ.1379:
  - means that material used (i.e., repaired, replaced, maintained or added) as a working part of the ship as per Annex 1 which is installed on or after 1 July 2012 is required to be documented with an asbestos-free declaration. The Recognized Organization will, in consultation with the Company's nominated person responsible to control asbestos-containing material onboard as per the Safety Management System in accordance with MSC/Circ.1045, audit this documentation during annual safety construction and safety equipment surveys; and
  - does not preclude the stowage of material which contains asbestos onboard (e.g., spare parts existing on board as of 1 July 2012).
3. The phrase "*should not be permitted to be installed after 1 January 2011 as a working part*" in MSC.1/Circ.1379 means that replacement, maintenance or addition of materials used for the structure, machinery, electrical installations and equipment covered by the SOLAS Convention which contain asbestos is prohibited.

**SC  
249**  
(cont)

## Annex 1

Structure and/or equipment	Component
Propeller shafting	Packing with low pressure hydraulic piping flange Packing with casing Clutch Brake lining Synthetic stern tubes
Diesel engine	Packing with piping flange Lagging material for fuel pipe Lagging material for exhaust pipe Lagging material turbocharger
Turbine engine	Lagging material for casing Packing with flange of piping and valve for steam line, exhaust line and drain line Lagging material for piping and valve of steam line, exhaust line and drain line
Boiler	Insulation in combustion chamber Packing for casing door Lagging material for exhaust pipe Gasket for manhole Gasket for hand hole Gas shield packing for soot blower and other hole Packing with flange of piping and valve for steam line, exhaust line, fuel line and drain line Lagging material for piping and valve of steam line, exhaust line, fuel line and drain line
Exhaust gas economizer	Packing for casing door Packing with manhole Packing with hand hole Gas shield packing for soot blower Packing with flange of piping and valve for steam line, exhaust line, fuel line and drain line Lagging material for piping and valve of steam line, exhaust line, fuel line and drain line
Incinerator	Packing for casing door Packing with manhole Packing with hand hole Lagging material for exhaust pipe
Auxiliary machinery (pump, compressor, oil purifier, crane)	Packing for casing door and valve Gland packing Brake lining
Heat exchanger	Packing with casing Gland packing for valve Lagging material and insulation

**SC  
249**  
(cont)

Valve	Gland packing with valve, sheet packing with piping flange Gasket with flange of high pressure and/or high temperature
Pipe, duct	Lagging material and insulation
Tank (fuel tank, hot water, tank, condenser), other equipments (fuel strainer, lubricant oil strainer)	Lagging material and insulation
Electric equipment	Insulation material
Ceiling, floor and wall in accommodation area	Ceiling, floor, wall
Fire door	Packing, construction and insulation of the fire door
Inert gas system	Packing for casing, etc.
Air-conditioning system	Sheet packing, lagging material for piping and flexible joint
Miscellaneous	Ropes Thermal insulating materials Fire shields/fire proofing Space/duct insulation Electrical cable materials Brake linings Floor tiles/deck underlay Steam/water/vent flange gaskets Adhesives/mastics/fillers Sound damping Moulded plastic products Sealing putty Shaft/valve packing Electrical bulkhead penetration packing Circuit breaker arc chutes Pipe hanger inserts Weld shop protectors/burn covers Fire-fighting blankets/clothing/equipment Concrete ballast

**Note:**

The above list ~~above~~ is taken from IMO Resolution MEPC.197(62), Appendix 5, paragraph 2.2.2.1.

End of  
Document



## SC 249 Внедрение правила II-1/3-5 СОЛАС и циркуляра MSC.1/Circ.1379

(октябрь

2011 г.)

(Корр.1

Апрель 2012)

(Изменение

1 февраль 2013)

### СОЛАС, глава II-1, правило 3-5

«С 1 января 2011 г. на всех судах должна быть запрещена новая установка материалов, содержащих асбест.»

### Циркуляр MSC.1/Circ.1379

«В контексте данного правила, новая установка материалов, содержащих асбест, означает любую новую физическую установку на борту. Любой материал, закупленный до 1 января 2011 г., хранившийся в судовом запасе или на верфи для судна в постройке, должен быть запрещен к установке в качестве рабочей части после 1 января 2011 г.»

### Унифицированные интерпретации

#### СОЛАС, глава II-1, правило 3-5

1. Проверка того, что «*новая установка материалов, содержащих асбест,*» в соответствии с правилом II-1/3-5 СОЛАС не осуществляется на судах, требует, чтобы признанная организация рассмотрела декларации об отсутствии содержания асбеста и сопутствующую документацию для конструкции, механизмов, электрических установок и оборудования, подпадающих под требования Конвенции СОЛАС, которые должны быть представлены признанной организации верфями, судоремонтными предприятиями и изготовителями оборудования с учетом приложения 8 Руководства 2011 года по разработке перечня опасных материалов (резолюция МЕРС.197(62)) для:

- судов в постройке (киль которых заложен или которые находятся в подобной стадии постройки 1 июля 2012 г. или после этой даты);
- переоборудуемых судов (дата контракта на переоборудование или, в случае отсутствия контракта, дата начала работ, отождествляемых с конкретным переоборудованием) на 1 июля 2012 г. или после этой даты;

#### Циркуляр MSC.1/Circ.1379

2. Фраза «*новая установка материалов, содержащих асбест,*» в циркуляре MSC.1/Circ.1379:

- означает, что материал, использованный (т. е. отремонтированный, замененный, прошедший обслуживание или добавленный) в качестве рабочей части судна в соответствии с Приложением 1, который был установлен 1 июля 2012 г. или после этой даты, должен иметь декларацию об отсутствии содержания асбеста. Признанная организация должна, по согласованию с назначенным представителем компании, ответственным за контроль асбестосодержащих материалов на борту судна в соответствии с системой управления безопасностью согласно MSC/Circ.1045, проверять эту документацию при ежегодных освидетельствованиях безопасности конструкции и безопасности оборудования ; и
- не препятствует хранению материалов, содержащих асбест, на борту судна (например, запасные части, имеющиеся на борту на 1 июля 2012 г.).

3. Фраза «*должны быть запрещены к установке в качестве рабочей части после 1 января 2011 г.*» в циркуляре MSC.1/Circ.1379 означает, что замена, обслуживание или добавление материалов, содержащих асбест, используемых для конструкции, механизмов, электрических установок и оборудования, подпадающих под требования Конвенции СОЛАС, запрещены.

---

#### Примечания:

1. Данная Унифицированная интерпретация должна быть внедрена обществами - членами МАКО не позднее 1 июля 2012 г.
2. Изменение 1 Унифицированной интерпретации должно быть внедрено обществами - членами МАКО не позднее 1 июля 2013 г.

## Приложение 1

Конструкция и/или оборудование	Деталь
Гребной валопровод	Уплотнение фланца гидравлического трубопровода низкого давления Уплотнение дейдвудной трубы Муфта (фрикционная) Тормозная накладка Дейдвудные трубы из синтетических материалов
Дизельный двигатель	Уплотнения с фланцами трубопроводов систем двигателя Теплоизоляционный материал топливного трубопровода Теплоизоляционный материал выхлопного трубопровода Теплоизоляционный материал турбоагрегата
Турбинный двигатель	Теплоизоляционный материал корпуса Уплотнение фланца и клапана паропровода, газохода и дренажной трубы Теплоизоляционный материал паропровода и клапана, выпускного трубопровода и дренажной трубы
Котел	Изоляция камеры сгорания Уплотнение крышки корпуса Теплоизоляционный материал дымохода Прокладка для смотрового лючка Прокладка для лючка ручного доступа Уплотнение газовой заслонки вентилятора для удаления сажи и других отверстий Уплотнение фланца и клапана паропровода, выпускного трубопровода, топливного трубопровода и дренажной трубы Теплоизоляционный материал паропровода и клапана, выпускного трубопровода, топливного трубопровода и дренажной трубы
Утилизационный котел	Уплотнение крышки корпуса Уплотнение для смотрового люка Уплотнение для лючка ручного доступа Уплотнение газовой заслонки вентилятора для удаления сажи Уплотнение фланца и клапана паропровода, выпускного трубопровода, топливного трубопровода и дренажной трубы Теплоизоляционный материал паропровода и клапана, выпускного трубопровода, топливного трубопровода и дренажной трубы
Инсинератор	Уплотнение крышки корпуса Уплотнение для смотрового люка Уплотнение для лючка ручного доступа Теплоизоляционный материал дымохода
Вспомогательные механизмы (насос, компрессор, маслоочиститель, подъемный кран)	Уплотнение крышки корпуса и клапана Набивка сальника Тормозная накладка
Теплообменник	Уплотнение корпуса Набивка сальника для клапана Теплоизоляционный материал
Клапан	Набивка сальника клапана, листовая прокладка для фланца трубопровода Прокладка фланца высокого давления и/или высокой температуры
Трубопроводы, каналы	Теплоизоляционный материал
Цистерны (топливные, горячей воды, конденсата), другое оборудование (топливный фильтр, фильтр смазочного масла)	Теплоизоляционный материал
Электрооборудование	Изоляционный материал
Подволока, настил и переборка в жилом отсеке	Материал подволока, настила, переборки
Противопожарная дверь	Уплотнение, конструкция и изоляция противопожарной двери
Система инертного газа	Уплотнение обшивки и др.

Система кондиционирования воздуха	Листовая прокладка, теплоизоляционный материал для трубопроводов и гибких соединений
Разное	Канаты Теплоизоляционные материалы Огнестойкие экраны/противопожарная защита Изоляция помещения /канала Материалы электрических кабелей Тормозные накладки Плитки для настила пола/подложки палубы Прокладки фланцев пара/воды/вентиляционных Клеи/мастики/наполнители Звукоизоляция Пластиковые изделия Герметизирующая замазка Уплотнение вала/клапана Уплотнение электрического переборочного стакана Дугогасительные камеры автоматических выключателей Вкладыши трубных подвесок Защитные приспособления сварочной мастерской/пламегасительные колпаки Одеяла/одежда/оборудование для пожаротушения Бетонный балласт

Приведенный выше перечень взят из Резолюции ИМО МЕРС.197(62), Приложение 5, пункт 2.2.2.1.

\* \* \*