



ОТРАСЛЕВЫЕ СТАНДАРТЫ

---

В И Н Т Ы

ОСТ 37.001.125—81—ОСТ 37.001.130—81

Издание официальное

МИНИСТЕРСТВО  
АВТОМОБИЛЬНОЙ  
ПРОМЫШЛЕННОСТИ  
Москва

**РАЗРАБОТАН** Горьковским конструкторско-технологическим институтом холодновысадочного и пружинного производства (КТИавтометиз)

**ИСПОЛНИТЕЛИ:** И. Н. Розмари, И. Н. Иванов, И. В. Флорова, Е. А. Грачева

**ВНЕСЕН** Горьковским конструкторско-технологическим институтом холодновысадочного и пружинного производства (КТИавтометиз)

Главный инженер Антонов В. А.

**УТВЕРЖДЕН И ВВЕДЕН В ДЕЙСТВИЕ ПРИКАЗОМ** по Управлению главного технолога Министерства автомобильной промышленности от 29 июня 1981 г. № 19

ОСТ 37.001.

ВИНТЫ С ПОТАЙНОЙ ГОЛОВКОЙ

125 — 81

Конструкция и размеры

Взамен

ОСТ 37.001.125—75

---

Приказом по Управлению главного технолога Министерства автомобильной промышленности от 29 июня 1981 г. № 19 срок введения установлен

с 01.01.82

1. Настоящий отраслевой стандарт распространяется на винты с потайной головкой степени точности В (нормальная) с диаметром резьбы от М3 до М10.

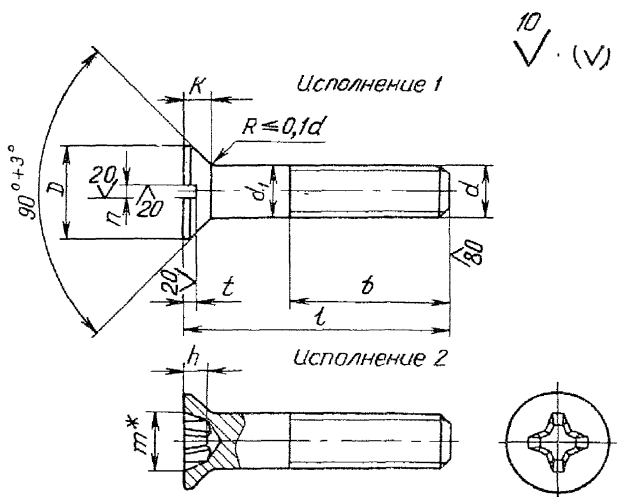
Стандарт разработан на основе ГОСТ 17475—80.

2. Конструкция и размеры винтов должны соответствовать указанным на чертеже и в табл. 1, 2 и 3.

---

ГР 8217784 от 12.08.81

Издание официальное



\* Размер для справок.

Размеры в мм

| Резьба <i>d</i>                                      |                            | M3   | M4   | M5   | M6   | M8   |  | M10  |  |
|--|----------------------------|--|--|--|--|--|--|--|--|
| Шаг резьбы <i>P</i>                                  |                            | 0,5  | 0,7  | 0,8  | 1  | 1,25   | 1  | 1,5  | 1,25   |
| <i>l</i>   |                            | Исполнение 1   |  |  |  |  |  |  |  |
| Номин.   | Пред. откл. ( <i>s</i> 16) | Коды ОКП винтов  |  |  |  |  |  |  |  |
| 5<br>6   | ±0,38                      | 45 941X <sub>1</sub> X <sub>2</sub> 025<br>45 941X <sub>1</sub> X <sub>2</sub> 026   | —<br>45 941X <sub>1</sub> X <sub>2</sub> 050   | —<br>—   | —<br>—   | —<br>—   | —<br>—   | —<br>—   | —<br>—   |
| (7)<br>8<br>10                                       | ±0,45                      | 45 941X <sub>1</sub> X <sub>2</sub> 027<br>45 941X <sub>1</sub> X <sub>2</sub> 028<br>45 941X <sub>1</sub> X <sub>2</sub> 029  | 45 941X <sub>1</sub> X <sub>2</sub> 051<br>45 941X <sub>1</sub> X <sub>2</sub> 052<br>45 941X <sub>1</sub> X <sub>2</sub> 053  | —<br>45 941X <sub>1</sub> X <sub>2</sub> 078<br>45 941X <sub>1</sub> X <sub>2</sub> 079  | —<br>45 941X <sub>1</sub> X <sub>2</sub> 105<br>45 941X <sub>1</sub> X <sub>2</sub> 106  | —<br>—<br>—  | —<br>—<br>—  | —<br>—<br>—  | —<br>—<br>—  |
| 12<br>14<br>16<br>(18)                               | ±0,55                      | 45 941X <sub>1</sub> X <sub>2</sub> 030<br>45 941X <sub>1</sub> X <sub>2</sub> 031<br>45 941X <sub>1</sub> X <sub>2</sub> 032<br>45 941X <sub>1</sub> X <sub>2</sub> 033   | 45 941X <sub>1</sub> X <sub>2</sub> 054<br>45 941X <sub>1</sub> X <sub>2</sub> 055<br>45 941X <sub>1</sub> X <sub>2</sub> 056<br>45 941X <sub>1</sub> X <sub>2</sub> 057   | 45 941X <sub>1</sub> X <sub>2</sub> 080<br>45 941X <sub>1</sub> X <sub>2</sub> 081<br>45 941X <sub>1</sub> X <sub>2</sub> 082<br>45 941X <sub>1</sub> X <sub>2</sub> 083   | 45 941X <sub>1</sub> X <sub>2</sub> 107<br>45 941X <sub>1</sub> X <sub>2</sub> 108<br>45 941X <sub>1</sub> X <sub>2</sub> 109<br>45 941X <sub>1</sub> X <sub>2</sub> 110   | 45 941X <sub>1</sub> X <sub>2</sub> 135<br>45 941X <sub>1</sub> X <sub>2</sub> 136<br>45 941X <sub>1</sub> X <sub>2</sub> 137<br>45 941X <sub>1</sub> X <sub>2</sub> 138   | 45 941X <sub>1</sub> X <sub>2</sub> 165<br>45 941X <sub>1</sub> X <sub>2</sub> 166<br>45 941X <sub>1</sub> X <sub>2</sub> 167<br>45 941X <sub>1</sub> X <sub>2</sub> 168   | —<br>—<br>45 941X <sub>1</sub> X <sub>2</sub> 195<br>45 941X <sub>1</sub> X <sub>2</sub> 196   | —<br>—<br>—<br>—   |
| 20<br>(22)<br>25<br>(28)<br>30                       | ±0,65                      | 45 941X <sub>1</sub> X <sub>2</sub> 034<br>45 941X <sub>1</sub> X <sub>2</sub> 035<br>45 941X <sub>1</sub> X <sub>2</sub> 036<br>45 941X <sub>1</sub> X <sub>2</sub> 037<br>45 941X <sub>1</sub> X <sub>2</sub> 038  | 45 941X <sub>1</sub> X <sub>2</sub> 058<br>45 941X <sub>1</sub> X <sub>2</sub> 059<br>45 941X <sub>1</sub> X <sub>2</sub> 060<br>45 941X <sub>1</sub> X <sub>2</sub> 061<br>45 941X <sub>1</sub> X <sub>2</sub> 062  | 45 941X <sub>1</sub> X <sub>2</sub> 084<br>45 941X <sub>1</sub> X <sub>2</sub> 085<br>45 941X <sub>1</sub> X <sub>2</sub> 086<br>45 941X <sub>1</sub> X <sub>2</sub> 087<br>45 941X <sub>1</sub> X <sub>2</sub> 088  | 45 941X <sub>1</sub> X <sub>2</sub> 111<br>45 941X <sub>1</sub> X <sub>2</sub> 112<br>45 941X <sub>1</sub> X <sub>2</sub> 113<br>45 941X <sub>1</sub> X <sub>2</sub> 114<br>45 941X <sub>1</sub> X <sub>2</sub> 115  | 45 941X <sub>1</sub> X <sub>2</sub> 139<br>45 941X <sub>1</sub> X <sub>2</sub> 140<br>45 941X <sub>1</sub> X <sub>2</sub> 141<br>45 941X <sub>1</sub> X <sub>2</sub> 142<br>45 941X <sub>1</sub> X <sub>2</sub> 143  | 45 941X <sub>1</sub> X <sub>2</sub> 169<br>45 941X <sub>1</sub> X <sub>2</sub> 170<br>45 941X <sub>1</sub> X <sub>2</sub> 171<br>45 941X <sub>1</sub> X <sub>2</sub> 172<br>45 941X <sub>1</sub> X <sub>2</sub> 173  | 45 941X <sub>1</sub> X <sub>2</sub> 197<br>45 941X <sub>1</sub> X <sub>2</sub> 198<br>45 941X <sub>1</sub> X <sub>2</sub> 199<br>45 941X <sub>1</sub> X <sub>2</sub> 200<br>45 941X <sub>1</sub> X <sub>2</sub> 201  | 45 941X <sub>1</sub> X <sub>2</sub> 227<br>45 941X <sub>1</sub> X <sub>2</sub> 228<br>45 941X <sub>1</sub> X <sub>2</sub> 229<br>45 941X <sub>1</sub> X <sub>2</sub> 230<br>45 941X <sub>1</sub> X <sub>2</sub> 231  |
| (32)<br>35<br>(38)<br>40<br>(42)<br>45<br>(48)<br>50 | ±0,80                      | 45 941X <sub>1</sub> X <sub>2</sub> 039<br>45 941X <sub>1</sub> X <sub>2</sub> 040<br>45 941X <sub>1</sub> X <sub>2</sub> 041<br>45 941X <sub>1</sub> X <sub>2</sub> 042<br>45 941X <sub>1</sub> X <sub>2</sub> 043<br>45 941X <sub>1</sub> X <sub>2</sub> 044<br>45 941X <sub>1</sub> X <sub>2</sub> 045<br>45 941X <sub>1</sub> X <sub>2</sub> 046 | 45 941X <sub>1</sub> X <sub>2</sub> 063<br>45 941X <sub>1</sub> X <sub>2</sub> 064<br>45 941X <sub>1</sub> X <sub>2</sub> 065<br>45 941X <sub>1</sub> X <sub>2</sub> 066<br>45 941X <sub>1</sub> X <sub>2</sub> 067<br>45 941X <sub>1</sub> X <sub>2</sub> 068<br>45 941X <sub>1</sub> X <sub>2</sub> 069<br>45 941X <sub>1</sub> X <sub>2</sub> 070 | 45 941X <sub>1</sub> X <sub>2</sub> 089<br>45 941X <sub>1</sub> X <sub>2</sub> 090<br>45 941X <sub>1</sub> X <sub>2</sub> 091<br>45 941X <sub>1</sub> X <sub>2</sub> 092<br>45 941X <sub>1</sub> X <sub>2</sub> 093<br>45 941X <sub>1</sub> X <sub>2</sub> 094<br>45 941X <sub>1</sub> X <sub>2</sub> 095<br>45 941X <sub>1</sub> X <sub>2</sub> 096 | 45 941X <sub>1</sub> X <sub>2</sub> 116<br>45 941X <sub>1</sub> X <sub>2</sub> 117<br>45 941X <sub>1</sub> X <sub>2</sub> 118<br>45 941X <sub>1</sub> X <sub>2</sub> 119<br>45 941X <sub>1</sub> X <sub>2</sub> 120<br>45 941X <sub>1</sub> X <sub>2</sub> 121<br>45 941X <sub>1</sub> X <sub>2</sub> 122<br>45 941X <sub>1</sub> X <sub>2</sub> 123 | 45 941X <sub>1</sub> X <sub>2</sub> 144<br>45 941X <sub>1</sub> X <sub>2</sub> 145<br>45 941X <sub>1</sub> X <sub>2</sub> 146<br>45 941X <sub>1</sub> X <sub>2</sub> 147<br>45 941X <sub>1</sub> X <sub>2</sub> 148<br>45 941X <sub>1</sub> X <sub>2</sub> 149<br>45 941X <sub>1</sub> X <sub>2</sub> 150<br>45 941X <sub>1</sub> X <sub>2</sub> 151 | 45 941X <sub>1</sub> X <sub>2</sub> 174<br>45 941X <sub>1</sub> X <sub>2</sub> 175<br>45 941X <sub>1</sub> X <sub>2</sub> 176<br>45 941X <sub>1</sub> X <sub>2</sub> 177<br>45 941X <sub>1</sub> X <sub>2</sub> 178<br>45 941X <sub>1</sub> X <sub>2</sub> 179<br>45 941X <sub>1</sub> X <sub>2</sub> 180<br>45 941X <sub>1</sub> X <sub>2</sub> 181 | 45 941X <sub>1</sub> X <sub>2</sub> 202<br>45 941X <sub>1</sub> X <sub>2</sub> 203<br>45 941X <sub>1</sub> X <sub>2</sub> 204<br>45 941X <sub>1</sub> X <sub>2</sub> 205<br>45 941X <sub>1</sub> X <sub>2</sub> 206<br>45 941X <sub>1</sub> X <sub>2</sub> 207<br>45 941X <sub>1</sub> X <sub>2</sub> 208<br>45 941X <sub>1</sub> X <sub>2</sub> 209 | 45 941X <sub>1</sub> X <sub>2</sub> 232<br>45 941X <sub>1</sub> X <sub>2</sub> 233<br>45 941X <sub>1</sub> X <sub>2</sub> 234<br>45 941X <sub>1</sub> X <sub>2</sub> 235<br>45 941X <sub>1</sub> X <sub>2</sub> 236<br>45 941X <sub>1</sub> X <sub>2</sub> 237<br>45 941X <sub>1</sub> X <sub>2</sub> 238<br>45 941X <sub>1</sub> X <sub>2</sub> 239 |
| 55<br>60<br>65<br>70<br>75<br>80                     | ±0,95                      | 45 941X <sub>1</sub> X <sub>2</sub> 047<br>45 941X <sub>1</sub> X <sub>2</sub> 048<br>—<br>—<br>—<br>—   | 45 941X <sub>1</sub> X <sub>2</sub> 071<br>45 941X <sub>1</sub> X <sub>2</sub> 072<br>45 941X <sub>1</sub> X <sub>2</sub> 073<br>45 941X <sub>1</sub> X <sub>2</sub> 074<br>—<br>—   | 45 941X <sub>1</sub> X <sub>2</sub> 097<br>45 941X <sub>1</sub> X <sub>2</sub> 098<br>45 941X <sub>1</sub> X <sub>2</sub> 099<br>45 941X <sub>1</sub> X <sub>2</sub> 100<br>—<br>—   | 45 941X <sub>1</sub> X <sub>2</sub> 124<br>45 941X <sub>1</sub> X <sub>2</sub> 125<br>45 941X <sub>1</sub> X <sub>2</sub> 126<br>45 941X <sub>1</sub> X <sub>2</sub> 127<br>45 941X <sub>1</sub> X <sub>2</sub> 128<br>45 941X <sub>1</sub> X <sub>2</sub> 129<br>—<br>—   | 45 941X <sub>1</sub> X <sub>2</sub> 152<br>45 941X <sub>1</sub> X <sub>2</sub> 153<br>45 941X <sub>1</sub> X <sub>2</sub> 154<br>45 941X <sub>1</sub> X <sub>2</sub> 155<br>45 941X <sub>1</sub> X <sub>2</sub> 156<br>45 941X <sub>1</sub> X <sub>2</sub> 157<br>—<br>—   | 45 941X <sub>1</sub> X <sub>2</sub> 182<br>45 941X <sub>1</sub> X <sub>2</sub> 183<br>45 941X <sub>1</sub> X <sub>2</sub> 184<br>45 941X <sub>1</sub> X <sub>2</sub> 185<br>45 941X <sub>1</sub> X <sub>2</sub> 186<br>45 941X <sub>1</sub> X <sub>2</sub> 187<br>—<br>—   | 45 941X <sub>1</sub> X <sub>2</sub> 210<br>45 941X <sub>1</sub> X <sub>2</sub> 211<br>45 941X <sub>1</sub> X <sub>2</sub> 212<br>45 941X <sub>1</sub> X <sub>2</sub> 213<br>45 941X <sub>1</sub> X <sub>2</sub> 214<br>45 941X <sub>1</sub> X <sub>2</sub> 215<br>—<br>—   | 45 941X <sub>1</sub> X <sub>2</sub> 240<br>45 941X <sub>1</sub> X <sub>2</sub> 241<br>45 941X <sub>1</sub> X <sub>2</sub> 242<br>45 941X <sub>1</sub> X <sub>2</sub> 243<br>45 941X <sub>1</sub> X <sub>2</sub> 244<br>45 941X <sub>1</sub> X <sub>2</sub> 245<br>—<br>—   |
| (85)<br>90<br>(95)<br>100                            | ±1,10                      | —<br>—<br>—<br>—   | —<br>—<br>—<br>—   | —<br>—<br>—<br>—   | 45 941X <sub>1</sub> X <sub>2</sub> 130<br>45 941X <sub>1</sub> X <sub>2</sub> 131<br>45 941X <sub>1</sub> X <sub>2</sub> 132<br>45 941X <sub>1</sub> X <sub>2</sub> 133   | 45 941X <sub>1</sub> X <sub>2</sub> 158<br>45 941X <sub>1</sub> X <sub>2</sub> 159<br>45 941X <sub>1</sub> X <sub>2</sub> 160<br>45 941X <sub>1</sub> X <sub>2</sub> 161   | 45 941X <sub>1</sub> X <sub>2</sub> 188<br>45 941X <sub>1</sub> X <sub>2</sub> 189<br>45 941X <sub>1</sub> X <sub>2</sub> 190<br>45 941X <sub>1</sub> X <sub>2</sub> 191   | 45 941X <sub>1</sub> X <sub>2</sub> 216<br>45 941X <sub>1</sub> X <sub>2</sub> 217<br>45 941X <sub>1</sub> X <sub>2</sub> 218<br>45 941X <sub>1</sub> X <sub>2</sub> 219   | 45 941X <sub>1</sub> X <sub>2</sub> 246<br>45 941X <sub>1</sub> X <sub>2</sub> 247<br>45 941X <sub>1</sub> X <sub>2</sub> 248<br>45 941X <sub>1</sub> X <sub>2</sub> 249   |

Размеры в мм

| Резьба $d$                     | M3                      | M4  | M5  | M6  | M8  |   | M10   |   |   |  |
|--------------------------------|-------------------------|---|---|---|---|---|---|---|---|--|
| Шаг резьбы $P$                 | 0,5                     | 0,7   | 0,8   | 1   | 1,25  | 1   | 1,5   | 1,25  |   |  |
| $l$                            | Исполнение 2            |   |   |   |   |   |   |   |   |  |
| Номинал.                       | Пред. откл. ( $J_s$ 16) | Коды ОКП винтов   |   |   |   |   |   |   |   |  |
| 5<br>6                         | $\pm 0,38$              | 45 941X <sub>1</sub> X <sub>2</sub> 525<br>45 941X <sub>1</sub> X <sub>2</sub> 526  | —   | —   | —   | —   | —   | —   | —   |  |
| (7)                            | $\pm 0,45$              | 45 941X <sub>1</sub> X <sub>2</sub> 527   | 45 941X <sub>1</sub> X <sub>2</sub> 551   | —   | —   | —   | —   | —   | —   |  |
| 8<br>10                        |                         | 45 941X <sub>1</sub> X <sub>2</sub> 528<br>45 941X <sub>1</sub> X <sub>2</sub> 529  | 45 941X <sub>1</sub> X <sub>2</sub> 552<br>45 941X <sub>1</sub> X <sub>2</sub> 553  | 45 941X <sub>1</sub> X <sub>2</sub> 578<br>45 941X <sub>1</sub> X <sub>2</sub> 579  | 45 941X <sub>1</sub> X <sub>2</sub> 605<br>45 941X <sub>1</sub> X <sub>2</sub> 606  | —   | —   | —   | —   |  |
| 12<br>14<br>16<br>(18)         |                         | $\pm 0,55$  | 45 941X <sub>1</sub> X <sub>2</sub> 530<br>45 941X <sub>1</sub> X <sub>2</sub> 531<br>45 941X <sub>1</sub> X <sub>2</sub> 532<br>45 941X <sub>1</sub> X <sub>2</sub> 533  | 45 941X <sub>1</sub> X <sub>2</sub> 554<br>45 941X <sub>1</sub> X <sub>2</sub> 555<br>45 941X <sub>1</sub> X <sub>2</sub> 556<br>45 941X <sub>1</sub> X <sub>2</sub> 557  | 45 941X <sub>1</sub> X <sub>2</sub> 580<br>45 941X <sub>1</sub> X <sub>2</sub> 581<br>45 941X <sub>1</sub> X <sub>2</sub> 582<br>45 941X <sub>1</sub> X <sub>2</sub> 583  | 45 941X <sub>1</sub> X <sub>2</sub> 607<br>45 941X <sub>1</sub> X <sub>2</sub> 608<br>45 941X <sub>1</sub> X <sub>2</sub> 609<br>45 941X <sub>1</sub> X <sub>2</sub> 610  | 45 941X <sub>1</sub> X <sub>2</sub> 635<br>45 941X <sub>1</sub> X <sub>2</sub> 636<br>45 941X <sub>1</sub> X <sub>2</sub> 637<br>45 941X <sub>1</sub> X <sub>2</sub> 638  | 45 941X <sub>1</sub> X <sub>2</sub> 665<br>45 941X <sub>1</sub> X <sub>2</sub> 666<br>45 941X <sub>1</sub> X <sub>2</sub> 667<br>45 941X <sub>1</sub> X <sub>2</sub> 668  | —<br>—<br>—<br>45 941X <sub>1</sub> X <sub>2</sub> 696  | —<br>—<br>—<br>45 941X <sub>1</sub> X <sub>2</sub> 726                             |
| 20<br>(22)<br>25<br>(28)<br>30 | $\pm 0,65$              | 45 941X <sub>1</sub> X <sub>2</sub> 534<br>45 941X <sub>1</sub> X <sub>2</sub> 535<br>45 941X <sub>1</sub> X <sub>2</sub> 536<br>45 941X <sub>1</sub> X <sub>2</sub> 537<br>45 941X <sub>1</sub> X <sub>2</sub> 538 | 45 941X <sub>1</sub> X <sub>2</sub> 558<br>45 941X <sub>1</sub> X <sub>2</sub> 559<br>45 941X <sub>1</sub> X <sub>2</sub> 560<br>45 941X <sub>1</sub> X <sub>2</sub> 561<br>45 941X <sub>1</sub> X <sub>2</sub> 562 | 45 941X <sub>1</sub> X <sub>2</sub> 584<br>45 941X <sub>1</sub> X <sub>2</sub> 585<br>45 941X <sub>1</sub> X <sub>2</sub> 586<br>45 941X <sub>1</sub> X <sub>2</sub> 587<br>45 941X <sub>1</sub> X <sub>2</sub> 588 | 45 941X <sub>1</sub> X <sub>2</sub> 611<br>45 941X <sub>1</sub> X <sub>2</sub> 612<br>45 941X <sub>1</sub> X <sub>2</sub> 613<br>45 941X <sub>1</sub> X <sub>2</sub> 614<br>45 941X <sub>1</sub> X <sub>2</sub> 615 | 45 941X <sub>1</sub> X <sub>2</sub> 639<br>45 941X <sub>1</sub> X <sub>2</sub> 640<br>45 941X <sub>1</sub> X <sub>2</sub> 641<br>45 941X <sub>1</sub> X <sub>2</sub> 642<br>45 941X <sub>1</sub> X <sub>2</sub> 643 | 45 941X <sub>1</sub> X <sub>2</sub> 669<br>45 941X <sub>1</sub> X <sub>2</sub> 670<br>45 941X <sub>1</sub> X <sub>2</sub> 671<br>45 941X <sub>1</sub> X <sub>2</sub> 672<br>45 941X <sub>1</sub> X <sub>2</sub> 673 | 45 941X <sub>1</sub> X <sub>2</sub> 697<br>45 941X <sub>1</sub> X <sub>2</sub> 698<br>45 941X <sub>1</sub> X <sub>2</sub> 699<br>45 941X <sub>1</sub> X <sub>2</sub> 700<br>45 941X <sub>1</sub> X <sub>2</sub> 701 | 45 941X <sub>1</sub> X <sub>2</sub> 727<br>45 941X <sub>1</sub> X <sub>2</sub> 728<br>45 941X <sub>1</sub> X <sub>2</sub> 729<br>45 941X <sub>1</sub> X <sub>2</sub> 730<br>45 941X <sub>1</sub> X <sub>2</sub> 731 |  |
| (32)<br>35                     | $\pm 0,80$              | 45 941X <sub>1</sub> X <sub>2</sub> 539<br>45 941X <sub>1</sub> X <sub>2</sub> 540  | 45 941X <sub>1</sub> X <sub>2</sub> 563<br>45 941X <sub>1</sub> X <sub>2</sub> 564  | 45 941X <sub>1</sub> X <sub>2</sub> 589<br>45 941X <sub>1</sub> X <sub>2</sub> 590  | 45 941X <sub>1</sub> X <sub>2</sub> 616<br>45 941X <sub>1</sub> X <sub>2</sub> 617  | 45 941X <sub>1</sub> X <sub>2</sub> 644<br>45 941X <sub>1</sub> X <sub>2</sub> 645  | 45 941X <sub>1</sub> X <sub>2</sub> 674<br>45 941X <sub>1</sub> X <sub>2</sub> 675  | 45 941X <sub>1</sub> X <sub>2</sub> 702<br>45 941X <sub>1</sub> X <sub>2</sub> 703  | 45 941X <sub>1</sub> X <sub>2</sub> 732<br>45 941X <sub>1</sub> X <sub>2</sub> 733  |  |
| (38)<br>40                     |                         | 45 941X <sub>1</sub> X <sub>2</sub> 541<br>45 941X <sub>1</sub> X <sub>2</sub> 542  | 45 941X <sub>1</sub> X <sub>2</sub> 565<br>45 941X <sub>1</sub> X <sub>2</sub> 566  | 45 941X <sub>1</sub> X <sub>2</sub> 591<br>45 941X <sub>1</sub> X <sub>2</sub> 592  | 45 941X <sub>1</sub> X <sub>2</sub> 618<br>45 941X <sub>1</sub> X <sub>2</sub> 619  | 45 941X <sub>1</sub> X <sub>2</sub> 646<br>45 941X <sub>1</sub> X <sub>2</sub> 647  | 45 941X <sub>1</sub> X <sub>2</sub> 676<br>45 941X <sub>1</sub> X <sub>2</sub> 677  | 45 941X <sub>1</sub> X <sub>2</sub> 704<br>45 941X <sub>1</sub> X <sub>2</sub> 705  | 45 941X <sub>1</sub> X <sub>2</sub> 734<br>45 941X <sub>1</sub> X <sub>2</sub> 735  |  |
| (42)<br>45                     |                         | 45 941X <sub>1</sub> X <sub>2</sub> 543   | 45 941X <sub>1</sub> X <sub>2</sub> 567   | 45 941X <sub>1</sub> X <sub>2</sub> 593   | 45 941X <sub>1</sub> X <sub>2</sub> 620   | 45 941X <sub>1</sub> X <sub>2</sub> 648   | 45 941X <sub>1</sub> X <sub>2</sub> 678   | 45 941X <sub>1</sub> X <sub>2</sub> 706   | 45 941X <sub>1</sub> X <sub>2</sub> 736   |  |
| (48)<br>50                     |                         | 45 941X <sub>1</sub> X <sub>2</sub> 544<br>45 941X <sub>1</sub> X <sub>2</sub> 545<br>45 941X <sub>1</sub> X <sub>2</sub> 546   | 45 941X <sub>1</sub> X <sub>2</sub> 568<br>45 941X <sub>1</sub> X <sub>2</sub> 569<br>45 941X <sub>1</sub> X <sub>2</sub> 570   | 45 941X <sub>1</sub> X <sub>2</sub> 594<br>45 941X <sub>1</sub> X <sub>2</sub> 595<br>45 941X <sub>1</sub> X <sub>2</sub> 596   | 45 941X <sub>1</sub> X <sub>2</sub> 621<br>45 941X <sub>1</sub> X <sub>2</sub> 622<br>45 941X <sub>1</sub> X <sub>2</sub> 623   | 45 941X <sub>1</sub> X <sub>2</sub> 649<br>45 941X <sub>1</sub> X <sub>2</sub> 650<br>45 941X <sub>1</sub> X <sub>2</sub> 651   | 45 941X <sub>1</sub> X <sub>2</sub> 679<br>45 941X <sub>1</sub> X <sub>2</sub> 680<br>45 941X <sub>1</sub> X <sub>2</sub> 681   | 45 941X <sub>1</sub> X <sub>2</sub> 707<br>45 941X <sub>1</sub> X <sub>2</sub> 708<br>45 941X <sub>1</sub> X <sub>2</sub> 709   | 45 941X <sub>1</sub> X <sub>2</sub> 737<br>45 941X <sub>1</sub> X <sub>2</sub> 738<br>45 941X <sub>1</sub> X <sub>2</sub> 739   |  |
| 55<br>60                       |                         | $\pm 0,95$  | 45 941X <sub>1</sub> X <sub>2</sub> 547<br>45 941X <sub>1</sub> X <sub>2</sub> 548  | 45 941X <sub>1</sub> X <sub>2</sub> 571<br>45 941X <sub>1</sub> X <sub>2</sub> 572  | 45 941X <sub>1</sub> X <sub>2</sub> 597<br>45 941X <sub>1</sub> X <sub>2</sub> 598  | 45 941X <sub>1</sub> X <sub>2</sub> 624<br>45 941X <sub>1</sub> X <sub>2</sub> 625  | 45 941X <sub>1</sub> X <sub>2</sub> 652<br>45 941X <sub>1</sub> X <sub>2</sub> 653  | 45 941X <sub>1</sub> X <sub>2</sub> 682<br>45 941X <sub>1</sub> X <sub>2</sub> 683  | 45 941X <sub>1</sub> X <sub>2</sub> 710<br>45 941X <sub>1</sub> X <sub>2</sub> 711  | 45 941X <sub>1</sub> X <sub>2</sub> 740<br>45 941X <sub>1</sub> X <sub>2</sub> 741 |
| 65<br>70                       |                         |   | —<br>—  | 45 941X <sub>1</sub> X <sub>2</sub> 573<br>45 941X <sub>1</sub> X <sub>2</sub> 574  | 45 941X <sub>1</sub> X <sub>2</sub> 599<br>45 941X <sub>1</sub> X <sub>2</sub> 600  | 45 941X <sub>1</sub> X <sub>2</sub> 626<br>45 941X <sub>1</sub> X <sub>2</sub> 627  | 45 941X <sub>1</sub> X <sub>2</sub> 654<br>45 941X <sub>1</sub> X <sub>2</sub> 655  | 45 941X <sub>1</sub> X <sub>2</sub> 684<br>45 941X <sub>1</sub> X <sub>2</sub> 685  | 45 941X <sub>1</sub> X <sub>2</sub> 712<br>45 941X <sub>1</sub> X <sub>2</sub> 713  | 45 941X <sub>1</sub> X <sub>2</sub> 742<br>45 941X <sub>1</sub> X <sub>2</sub> 743 |

Примечания к табл. 2 и 3:

1. Винты с размерами длин, заключенными в скобки, применять не рекомендуется.
2. Винты, коды ОКП которых расположены выше пунктирной линии, имеют резьбу по всей длине стержня.
3. Винты, коды ОКП которых расположены вне замкнутой ломаной линии, имеют длину, не предусмотренную ГОСТ 17475—80.
4. Винты с размерами длин, не предусмотренными ГОСТ 17475—80, применять только в технически обоснованных случаях.
5. Шестой знак ( $X_1$ ) кода соответствует шифру класса прочности, указанному в табл. 4.
6. Седьмой знак ( $X_2$ ) кода соответствует шифру вида покрытия, указанному в табл. 5.
7. Перевод шестизначных номеров винтов в коды ОКП приведен в справочном приложении 2.

Таблица 1

Размеры в мм

| Резьба $d$   |                    | M3    | M4    | M5   | M6  | M8   | M10  |
|--|--------------------|-------|-------|------|---|------|------|
| $d_1$  | Номин.             | 3     | 4     | 5    | 6   | 8    | 10   |
|  | Пред. откл. (h 13) | -0,14 | -0,18 |      | В пределах допуска на наружный диаметр резьбы |      |      |
| $D$  | Номин.             | 5,6   | 7,4   | 9,2  | 11,0  | 14,5 | 18,0 |
|  | Пред. откл. (h 14) | -0,30 | -0,36 |      | -0,43   |      |      |
| $K$ , не более   |                    | 1,65  | 2,2   | 2,5  | 3,0   | 4,0  | 5,0  |
| $n$  | Номин.             | 0,8   | 1,0   | 1,2  | 1,6   | 2,0  | 2,5  |
|  | Не менее           | 0,86  | 1,06  | 1,26 | 1,66  | 2,06 | 2,56 |
|  | Не более           | 1,00  | 1,20  | 1,51 | 1,91  | 2,31 | 2,81 |
| $t$  | Не менее           | 0,6   | 0,8   | 1,0  | 1,2   | 1,6  | 2,0  |
|  | Не более           | 0,85  | 1,10  | 1,35 | 1,60  | 2,10 | 2,60 |
| Номер крестообразного шлица  |                    | 1     | 2     | 3    |   | 4    |      |
| $m^*$ , не более   |                    | 2,8   | 4,0   | 4,5  | 6,5   | 7,4  | 9,7  |
| $h$  |                    | 1,25  | 1,55  | 2,05 | 2,45  | 3,40 | 4,60 |
| Глубина вхождения калибра в крестообразный шлиц                                  | Не более           | 1,4   | 1,8   | 2,3  | 3,0   | 3,9  | 5,4  |
|  | Не менее           | 1,1   | 1,3   | 1,8  | 2,5   | 3,4  | 4,9  |
| Допуск биения головки относительно оси стержня (2IT13)                           |                    | 0,36  | 0,44  |      | 0,54  |      |      |
| Допуск симметричности шлица относительно стержня в диаметральной вырезке (2IT13) |                    | 0,28  | 0,36  |      | 0,44  |      |      |
| $b$  | Номин.             | 12    | 14    | 16   | 18  | 22   | 26   |
|  | Пред. откл.        | +1,0  | +1,4  | +1,6 | +2,0  | +2,5 | +3,0 |

## Примечания:

1. Допускается изготавливать винты с диаметром стержня в пределах среднего диаметра резьбы.
2. Допускается отсутствие концевой фаски на стержнях, если применяется метод накатки резьбы.
3. Допуск симметричности шлица зависимый.

3. Механические свойства винтов, изготовленных из углеродистых и легированных сталей, должны соответствовать классам прочности, указанным в табл. 4.

Таблица 4

| Класс прочности по ГОСТ 1759—70 | Шифр класса прочности на месте шестого знака кода ОКП |
|---------------------------------|---|
| 4.8                             | 2   |
| 5.8                             | 4   |
| 8.8                             | 7   |

4. По требованию потребителя винты должны изготавливаться с покрытием, указанным в табл. 5.

Толщина слоя металлических покрытий устанавливается в зависимости от величины шага резьбы:

для винтов с шагом резьбы до 0,8 мм от 3 до 6 мкм;

для винтов с шагом резьбы свыше 0,8 мм от 6 до 9 мкм.

Толщина многослойного покрытия — от 6 до 13 мкм.

Таблица 5

| Вид покрытия                  | Шифр покрытия на месте седьмого знака кода ОКП |
|-------------------------------|--|
| Без покрытия                  | 0  |
| Цинковое с хромированием      | 1  |
| Кадмиевое с хромированием     | 2  |
| Многослойное медь—никель      | 3  |
| Многослойное медь—никель—хром | 4  |
| Окисное                       | 5  |
| Фосфатное с промасливанием    | 6  |
| Цинковое с фосфатированием    | 7  |
| Цинковое                      | 9  |

Примечание. При применении покрытия, не предусмотренного табл. 5, должны выпускаться чертежи, в которых в графе «Материал» должна указываться в качестве заготовки стандартная деталь с шифром 0 или 8 на месте седьмого знака кода ОКП в зависимости от требуемой толщины покрытия.

Шифр 8 на месте седьмого знака кода ОКП использовать для заготовки с полем допуска резьбы 6e под покрытия увеличенной толщины.

Вид и толщина покрытия указываются в технических требованиях чертежа.

5. Резьба по ГОСТ 24705—81, поле допуска 6g по

ГОСТ 16093—81.



Поле допуска резьбы под покрытия максимальной толщины слоя более 9 мкм и для резьб с шагом резьбы менее 1 мм, более 6 мкм устанавливать 6e.

6. Крестообразный шлиц по ГОСТ 10753—80.

7. Биеение конуса головки винтов, изготовленных холодной штамповкой, не контролируется и должно обеспечиваться инструментом и технологией изготовления.

8. Остальные технические требования по ГОСТ 1759—70 для винтов нормальной степени точности.

9. Теоретическая масса винтов указана в справочном приложении 1.

10. Правила приемки по ГОСТ 17769—72.

11. Консервация изделий по ГОСТ 9.014—78 и

ОСТ 37.002.001—76.

12. Упаковка деталей и маркировка тары по ГОСТ 18160—72.

#### Примеры условного обозначения

винта исполнения 1, диаметром резьбы  $d=6$  мм, с полем допуска резьбы 6g, длиной  $l=30$  мм, класса прочности 4.8, без покрытия:

*45 9412 0115 винт М6—6g×30 ОСТ 37.001.125—81*

винта исполнения 2, диаметром резьбы  $d=10$  мм, с мелким шагом резьбы, с полем допуска резьбы 6g, длиной  $l=50$  мм, класса прочности 5.8, с покрытием цинковым с хромированием толщиной слоя 6 мкм:

*45 9414 1739 винт 2 М10×1,25—6g×50 ОСТ 37.001.125—81*

винта исполнения 1, диаметром резьбы  $d=6$  мм, с полем допуска резьбы 6e, длиной  $l=30$  мм, класса прочности 4.8, с покрытием цинковым с хромированием толщиной слоя 12 мкм:

*45 9412 8115 винт М6—6e×30 ОСТ 37.001.125—81*

## ПРИЛОЖЕНИЕ 1

## Справочное

## Теоретическая масса винтов

| l мм | Масса 1000 шт. стальных винтов с крупным шагом резьбы, кг $\approx$ при номинальном диаметре резьбы d мм |       |        |        |        |        |
|------|--|-------|--------|--------|--------|--------|
|      | 3  | 4     | 5      | 6      | 8      | 10     |
| 5    | 0,319  | —     | —      | —      | —      | —      |
| 6    | 0,362  | 0,700 | —      | —      | —      | —      |
| (7)  | 0,406  | 0,777 | —      | —      | —      | —      |
| 8    | 0,449  | 0,854 | 1,391  | 2,091  | —      | —      |
| 10   | 0,536  | 1,007 | 1,636  | 2,445  | —      | —      |
| 12   | 0,622  | 1,159 | 1,880  | 2,794  | 5,400  | —      |
| 14   | 0,709  | 1,312 | 2,124  | 3,144  | 6,031  | —      |
| 16   | 0,796  | 1,465 | 2,369  | 3,493  | 6,662  | 11,050 |
| (18) | 0,882  | 1,618 | 2,613  | 3,842  | 7,293  | 12,050 |
| 20   | 0,969  | 1,771 | 2,857  | 4,191  | 7,924  | 13,050 |
| (22) | 1,056  | 1,924 | 3,102  | 4,541  | 8,555  | 14,050 |
| 25   | 1,186  | 2,153 | 3,468  | 5,064  | 9,501  | 15,540 |
| (28) | 1,315  | 2,383 | 3,835  | 5,588  | 10,447 | 17,040 |
| 30   | 1,402  | 2,536 | 4,079  | 5,938  | 11,079 | 18,040 |
| (32) | 1,489  | 2,689 | 4,324  | 6,287  | 11,709 | 19,030 |
| 35   | 1,619  | 2,918 | 4,690  | 6,811  | 12,556 | 20,530 |
| (38) | 1,749  | 3,147 | 5,057  | 7,335  | 13,602 | 22,020 |
| 40   | 1,836  | 3,300 | 5,301  | 7,684  | 14,233 | 23,020 |
| (42) | 1,923  | 3,453 | 5,546  | 8,034  | 14,864 | 24,020 |
| 45   | 2,053  | 3,682 | 5,912  | 8,557  | 15,810 | 25,520 |
| (48) | 2,183  | 3,911 | 6,279  | 9,082  | 16,756 | 27,010 |
| 50   | 2,270  | 4,064 | 6,523  | 9,430  | 17,387 | 28,010 |
| 55   | 2,487  | 4,446 | 7,135  | 10,304 | 18,964 | 30,500 |
| 60   | 2,704  | 4,828 | 7,747  | 11,177 | 20,541 | 33,000 |
| 65   | —  | 5,210 | 8,359  | 12,050 | 22,118 | 35,490 |
| 70   | —  | 5,592 | 8,971  | 12,923 | 23,695 | 37,980 |
| 75   | —  | —     | 9,583  | 13,796 | 25,272 | 40,480 |
| 80   | —  | —     | 10,195 | 14,669 | 26,849 | 42,980 |
| (85) | —  | —     | 10,807 | 15,542 | 28,426 | 45,480 |
| 90   | —  | —     | 11,419 | 16,415 | 30,003 | 47,980 |
| (95) | —  | —     | 12,031 | 17,288 | 31,580 | 50,480 |
| 100  | —  | —     | 12,643 | 18,161 | 33,157 | 52,980 |

## ПРИЛОЖЕНИЕ 2

Справочное

Таблица 1

Перевод шестизначных номеров винтов исполнения I в коды ОКП

| Номер винта | Код ОКП винта              | Номер винта | Код ОКП винта              |
|-------------|----------------------------|-------------|----------------------------|
| 221500      | 45 9412 X <sub>2</sub> 025 | 221560      | 45 9412 X <sub>2</sub> 062 |
| 221501      | 45 9412 X <sub>2</sub> 026 | 221561      | 45 9412 X <sub>2</sub> 063 |
| 221502      | 45 9412 X <sub>2</sub> 027 | 221562      | 45 9412 X <sub>2</sub> 064 |
| 221503      | 45 9412 X <sub>2</sub> 028 | 221563      | 45 9412 X <sub>2</sub> 065 |
| 221504      | 45 9412 X <sub>2</sub> 029 | 221564      | 45 9412 X <sub>2</sub> 066 |
| 221505      | 45 9412 X <sub>2</sub> 030 | 221565      | 45 9412 X <sub>2</sub> 067 |
| 221506      | 45 9412 X <sub>2</sub> 031 | 221566      | 45 9412 X <sub>2</sub> 068 |
| 221507      | 45 9412 X <sub>2</sub> 032 | 221567      | 45 9412 X <sub>2</sub> 069 |
| 221508      | 45 9412 X <sub>2</sub> 033 | 221568      | 45 9412 X <sub>2</sub> 070 |
| 221509      | 45 9412 X <sub>2</sub> 034 | 221569      | 45 9412 X <sub>2</sub> 071 |
| 221510      | 45 9412 X <sub>2</sub> 035 | 221570      | 45 9412 X <sub>2</sub> 072 |
| 221511      | 45 9412 X <sub>2</sub> 036 | 221571      | 45 9412 X <sub>2</sub> 073 |
| 221512      | 45 9412 X <sub>2</sub> 037 | 221572      | 45 9412 X <sub>2</sub> 074 |
| 221513      | 45 9412 X <sub>2</sub> 038 | 221576      | 45 9412 X <sub>2</sub> 078 |
| 221514      | 45 9412 X <sub>2</sub> 039 | 221577      | 45 9412 X <sub>2</sub> 079 |
| 221515      | 45 9412 X <sub>2</sub> 040 | 221578      | 45 9412 X <sub>2</sub> 080 |
| 221516      | 45 9412 X <sub>2</sub> 041 | 221579      | 45 9412 X <sub>2</sub> 081 |
| 221517      | 45 9412 X <sub>2</sub> 042 | 221580      | 45 9412 X <sub>2</sub> 082 |
| 221518      | 45 9412 X <sub>2</sub> 043 | 221581      | 45 9412 X <sub>2</sub> 083 |
| 221519      | 45 9412 X <sub>2</sub> 044 | 221582      | 45 9412 X <sub>2</sub> 084 |
| 221520      | 45 9412 X <sub>2</sub> 045 | 221583      | 45 9412 X <sub>2</sub> 085 |
| 221521      | 45 9412 X <sub>2</sub> 046 | 221584      | 45 9412 X <sub>2</sub> 086 |
| 221522      | 45 9412 X <sub>2</sub> 047 | 221585      | 45 9412 X <sub>2</sub> 087 |
| 221523      | 45 9412 X <sub>2</sub> 048 | 221586      | 45 9412 X <sub>2</sub> 088 |
| 221548      | 45 9412 X <sub>2</sub> 050 | 221587      | 45 9412 X <sub>2</sub> 089 |
| 221549      | 45 9412 X <sub>2</sub> 051 | 221588      | 45 9412 X <sub>2</sub> 090 |
| 221550      | 45 9412 X <sub>2</sub> 052 | 221589      | 45 9412 X <sub>2</sub> 091 |
| 221551      | 45 9412 X <sub>2</sub> 053 | 221590      | 45 9412 X <sub>2</sub> 092 |
| 221552      | 45 9412 X <sub>2</sub> 054 | 221591      | 45 9412 X <sub>2</sub> 093 |
| 221553      | 45 9412 X <sub>2</sub> 055 | 221592      | 45 9412 X <sub>2</sub> 094 |
| 221554      | 45 9412 X <sub>2</sub> 056 | 221593      | 45 9412 X <sub>2</sub> 095 |
| 221555      | 45 9412 X <sub>2</sub> 057 | 221594      | 45 9412 X <sub>2</sub> 096 |
| 221556      | 45 9412 X <sub>2</sub> 058 | 221595      | 45 9412 X <sub>2</sub> 097 |
| 221557      | 45 9412 X <sub>2</sub> 059 | 221596      | 45 9412 X <sub>2</sub> 098 |
| 221558      | 45 9412 X <sub>2</sub> 060 | 221597      | 45 9412 X <sub>2</sub> 099 |
| 221559      | 45 9412 X <sub>2</sub> 061 | 221598      | 45 9412 X <sub>2</sub> 100 |

| Номер винта | Код ОКП винта              | Номер винта | Код ОКП винта              |
|-------------|----------------------------|-------------|----------------------------|
| 221601      | 45 9412 X <sub>2</sub> 105 | 221672      | 45 9412 X <sub>2</sub> 147 |
| 221602      | 45 9412 X <sub>2</sub> 106 | 221673      | 45 9412 X <sub>2</sub> 148 |
| 221603      | 45 9412 X <sub>2</sub> 107 | 221674      | 45 9412 X <sub>2</sub> 149 |
| 221604      | 45 9412 X <sub>2</sub> 108 | 221675      | 45 9412 X <sub>2</sub> 150 |
| 221605      | 45 9412 X <sub>2</sub> 109 | 221676      | 45 9412 X <sub>2</sub> 151 |
| 221606      | 45 9412 X <sub>2</sub> 110 | 221677      | 45 9412 X <sub>2</sub> 152 |
| 221607      | 45 9412 X <sub>2</sub> 111 | 221678      | 45 9412 X <sub>2</sub> 153 |
| 221608      | 45 9412 X <sub>2</sub> 112 | 221679      | 45 9412 X <sub>2</sub> 154 |
| 221609      | 45 9412 X <sub>2</sub> 113 | 221680      | 45 9412 X <sub>2</sub> 155 |
| 221610      | 45 9412 X <sub>2</sub> 114 | 221681      | 45 9412 X <sub>2</sub> 156 |
| 221611      | 45 9412 X <sub>2</sub> 115 | 221682      | 45 9412 X <sub>2</sub> 157 |
| 221612      | 45 9412 X <sub>2</sub> 116 | 221683      | 45 9412 X <sub>2</sub> 158 |
| 221613      | 45 9412 X <sub>2</sub> 117 | 221684      | 45 9412 X <sub>2</sub> 159 |
| 221614      | 45 9412 X <sub>2</sub> 118 | 221685      | 45 9412 X <sub>2</sub> 160 |
| 221615      | 45 9412 X <sub>2</sub> 119 | 221686      | 45 9412 X <sub>2</sub> 161 |
| 221616      | 45 9412 X <sub>2</sub> 120 | 221688      | 45 9412 X <sub>2</sub> 165 |
| 221617      | 45 9412 X <sub>2</sub> 121 | 221689      | 45 9412 X <sub>2</sub> 166 |
| 221618      | 45 9412 X <sub>2</sub> 122 | 221690      | 45 9412 X <sub>2</sub> 167 |
| 221619      | 45 9412 X <sub>2</sub> 123 | 221691      | 45 9412 X <sub>2</sub> 168 |
| 221620      | 45 9412 X <sub>2</sub> 124 | 221692      | 45 9412 X <sub>2</sub> 169 |
| 221621      | 45 9412 X <sub>2</sub> 125 | 221693      | 45 9412 X <sub>2</sub> 170 |
| 221622      | 45 9412 X <sub>2</sub> 126 | 221694      | 45 9412 X <sub>2</sub> 171 |
| 221623      | 45 9412 X <sub>2</sub> 127 | 221695      | 45 9412 X <sub>2</sub> 172 |
| 221624      | 45 9412 X <sub>2</sub> 128 | 221696      | 45 9412 X <sub>2</sub> 173 |
| 221625      | 45 9412 X <sub>2</sub> 129 | 221697      | 45 9412 X <sub>2</sub> 174 |
| 221626      | 45 9412 X <sub>2</sub> 130 | 221698      | 45 9412 X <sub>2</sub> 175 |
| 221627      | 45 9412 X <sub>2</sub> 131 | 221699      | 45 9412 X <sub>2</sub> 176 |
| 221628      | 45 9412 X <sub>2</sub> 132 | 221700      | 45 9412 X <sub>2</sub> 177 |
| 221629      | 45 9412 X <sub>2</sub> 133 | 221701      | 45 9412 X <sub>2</sub> 178 |
| 221660      | 45 9412 X <sub>2</sub> 135 | 221702      | 45 9412 X <sub>2</sub> 179 |
| 221661      | 45 9412 X <sub>2</sub> 136 | 221703      | 45 9412 X <sub>2</sub> 180 |
| 221662      | 45 9412 X <sub>2</sub> 137 | 221704      | 45 9412 X <sub>2</sub> 181 |
| 221663      | 45 9412 X <sub>2</sub> 138 | 221705      | 45 9412 X <sub>2</sub> 182 |
| 221664      | 45 9412 X <sub>2</sub> 139 | 221706      | 45 9412 X <sub>2</sub> 183 |
| 221665      | 45 9412 X <sub>2</sub> 140 | 221707      | 45 9412 X <sub>2</sub> 184 |
| 221666      | 45 9412 X <sub>2</sub> 141 | 221708      | 45 9412 X <sub>2</sub> 185 |
| 221667      | 45 9412 X <sub>2</sub> 142 | 221709      | 45 9412 X <sub>2</sub> 186 |
| 221668      | 45 9412 X <sub>2</sub> 143 | 221710      | 45 9412 X <sub>2</sub> 187 |
| 221669      | 45 9412 X <sub>2</sub> 144 | 221711      | 45 9412 X <sub>2</sub> 188 |
| 221670      | 45 9412 X <sub>2</sub> 145 | 221712      | 45 9412 X <sub>2</sub> 189 |
| 221671      | 45 9412 X <sub>2</sub> 146 | 221713      | 45 9412 X <sub>2</sub> 190 |

Продолжение табл. 1

| Номер винта | Код ОКП винта              | Номер винта | Код ОКП винта              |
|-------------|----------------------------|-------------|----------------------------|
| 221714      | 45 9412 X <sub>2</sub> 191 | 221741      | 45 9412 X <sub>2</sub> 219 |
| 221717      | 45 9412 X <sub>2</sub> 195 | 221774      | 45 9412 X <sub>2</sub> 227 |
| 221718      | 45 9412 X <sub>2</sub> 196 | 221775      | 45 9412 X <sub>2</sub> 228 |
| 221719      | 45 9412 X <sub>2</sub> 197 | 221776      | 45 9412 X <sub>2</sub> 229 |
| 221720      | 45 9412 X <sub>2</sub> 198 | 221777      | 45 9412 X <sub>2</sub> 230 |
| 221721      | 45 9412 X <sub>2</sub> 199 | 221778      | 45 9412 X <sub>2</sub> 231 |
| 221722      | 45 9412 X <sub>2</sub> 200 | 221779      | 45 9412 X <sub>2</sub> 232 |
| 221723      | 45 9412 X <sub>2</sub> 201 | 221780      | 45 9412 X <sub>2</sub> 233 |
| 221724      | 45 9412 X <sub>2</sub> 202 | 221781      | 45 9412 X <sub>2</sub> 234 |
| 221725      | 45 9412 X <sub>2</sub> 203 | 221782      | 45 9412 X <sub>2</sub> 235 |
| 221726      | 45 9412 X <sub>2</sub> 204 | 221783      | 45 9412 X <sub>2</sub> 236 |
| 221727      | 45 9412 X <sub>2</sub> 205 | 221784      | 45 9412 X <sub>2</sub> 237 |
| 221728      | 45 9412 X <sub>2</sub> 206 | 221785      | 45 9412 X <sub>2</sub> 238 |
| 221729      | 45 9412 X <sub>2</sub> 207 | 221786      | 45 9412 X <sub>2</sub> 239 |
| 221730      | 45 9412 X <sub>2</sub> 208 | 221787      | 45 9412 X <sub>2</sub> 240 |
| 221731      | 45 9412 X <sub>2</sub> 209 | 221788      | 45 9412 X <sub>2</sub> 241 |
| 221732      | 45 9412 X <sub>2</sub> 210 | 221789      | 45 9412 X <sub>2</sub> 242 |
| 221733      | 45 9412 X <sub>2</sub> 211 | 221790      | 45 9412 X <sub>2</sub> 243 |
| 221734      | 45 9412 X <sub>2</sub> 212 | 221791      | 45 9412 X <sub>2</sub> 244 |
| 221735      | 45 9412 X <sub>2</sub> 213 | 221792      | 45 9412 X <sub>2</sub> 245 |
| 221736      | 45 9412 X <sub>2</sub> 214 | 221793      | 45 9412 X <sub>2</sub> 246 |
| 221737      | 45 9412 X <sub>2</sub> 215 | 221794      | 45 9412 X <sub>2</sub> 247 |
| 221738      | 45 9412 X <sub>2</sub> 216 | 221795      | 45 9412 X <sub>2</sub> 248 |
| 221739      | 45 9412 X <sub>2</sub> 217 | 221796      | 45 9412 X <sub>2</sub> 249 |
| 221740      | 45 9412 X <sub>2</sub> 218 |             |                            |

Таблица 2

Перевод шестизначных номеров винтов исполнения 2 в коды ОКП

| Номер винта | Код ОКП винта              | Номер винта | Код ОКП винта              |
|-------------|----------------------------|-------------|----------------------------|
| 231500      | 45 9412 X <sub>2</sub> 525 | 231509      | 45 9412 X <sub>2</sub> 534 |
| 231501      | 45 9412 X <sub>2</sub> 526 | 231510      | 45 9412 X <sub>2</sub> 535 |
| 231502      | 45 9412 X <sub>2</sub> 527 | 231511      | 45 9412 X <sub>2</sub> 536 |
| 231503      | 45 9412 X <sub>2</sub> 528 | 231512      | 45 9412 X <sub>2</sub> 537 |
| 231504      | 45 9412 X <sub>2</sub> 529 | 231513      | 45 9412 X <sub>2</sub> 538 |
| 231505      | 45 9412 X <sub>2</sub> 530 | 231514      | 45 9412 X <sub>2</sub> 539 |
| 231506      | 45 9412 X <sub>2</sub> 531 | 231515      | 45 9412 X <sub>2</sub> 540 |
| 231507      | 45 9412 X <sub>2</sub> 532 | 231516      | 45 9412 X <sub>2</sub> 541 |
| 231508      | 45 9412 X <sub>2</sub> 533 | 231517      | 45 9412 X <sub>2</sub> 542 |

| Номер винта | Код ОКП винта              | Номер винта | Код ОКП винта              |
|-------------|----------------------------|-------------|----------------------------|
| 231518      | 45 9412 X <sub>2</sub> 543 | 231587      | 45 9412 X <sub>2</sub> 589 |
| 231519      | 45 9412 X <sub>2</sub> 544 | 231588      | 45 9412 X <sub>2</sub> 590 |
| 231520      | 45 9412 X <sub>2</sub> 545 | 231589      | 45 9412 X <sub>2</sub> 591 |
| 231521      | 45 9412 X <sub>2</sub> 546 | 231590      | 45 9412 X <sub>2</sub> 592 |
| 231522      | 45 9412 X <sub>2</sub> 547 | 231591      | 45 9412 X <sub>2</sub> 593 |
| 231523      | 45 9412 X <sub>2</sub> 548 | 231592      | 45 9412 X <sub>2</sub> 594 |
| 231549      | 45 9412 X <sub>2</sub> 551 | 231593      | 45 9412 X <sub>2</sub> 595 |
| 231550      | 45 9412 X <sub>2</sub> 552 | 231594      | 45 9412 X <sub>2</sub> 596 |
| 231551      | 45 9412 X <sub>2</sub> 553 | 231595      | 45 9412 X <sub>2</sub> 597 |
| 231552      | 45 9412 X <sub>2</sub> 554 | 231596      | 45 9412 X <sub>2</sub> 598 |
| 231553      | 45 9412 X <sub>2</sub> 555 | 231597      | 45 9412 X <sub>2</sub> 599 |
| 231554      | 45 9412 X <sub>2</sub> 556 | 231598      | 45 9412 X <sub>2</sub> 600 |
| 231555      | 45 9412 X <sub>2</sub> 557 | 231601      | 45 9412 X <sub>2</sub> 605 |
| 231556      | 45 9412 X <sub>2</sub> 558 | 231602      | 45 9412 X <sub>2</sub> 606 |
| 231557      | 45 9412 X <sub>2</sub> 559 | 231603      | 45 9412 X <sub>2</sub> 607 |
| 231558      | 45 9412 X <sub>2</sub> 560 | 231604      | 45 9412 X <sub>2</sub> 608 |
| 231559      | 45 9412 X <sub>2</sub> 561 | 231605      | 45 9412 X <sub>2</sub> 609 |
| 231560      | 45 9412 X <sub>2</sub> 562 | 231606      | 45 9412 X <sub>2</sub> 610 |
| 231561      | 45 9412 X <sub>2</sub> 563 | 231607      | 45 9412 X <sub>2</sub> 611 |
| 231562      | 45 9412 X <sub>2</sub> 564 | 231608      | 45 9412 X <sub>2</sub> 612 |
| 231563      | 45 9412 X <sub>2</sub> 565 | 231609      | 45 9412 X <sub>2</sub> 613 |
| 231564      | 45 9412 X <sub>2</sub> 566 | 231610      | 45 9412 X <sub>2</sub> 614 |
| 231565      | 45 9412 X <sub>2</sub> 567 | 231611      | 45 9412 X <sub>2</sub> 615 |
| 231566      | 45 9412 X <sub>2</sub> 568 | 231612      | 45 9412 X <sub>2</sub> 616 |
| 231567      | 45 9412 X <sub>2</sub> 569 | 231613      | 45 9412 X <sub>2</sub> 617 |
| 231568      | 45 9412 X <sub>2</sub> 570 | 231614      | 45 9412 X <sub>2</sub> 618 |
| 231569      | 45 9412 X <sub>2</sub> 571 | 231615      | 45 9412 X <sub>2</sub> 619 |
| 231570      | 45 9412 X <sub>2</sub> 572 | 231616      | 45 9412 X <sub>2</sub> 620 |
| 231571      | 45 9412 X <sub>2</sub> 573 | 231617      | 45 9412 X <sub>2</sub> 621 |
| 231572      | 45 9412 X <sub>2</sub> 574 | 231618      | 45 9412 X <sub>2</sub> 622 |
| 231576      | 45 9412 X <sub>2</sub> 578 | 231619      | 45 9412 X <sub>2</sub> 623 |
| 231577      | 45 9412 X <sub>2</sub> 579 | 231620      | 45 9412 X <sub>2</sub> 624 |
| 231578      | 45 9412 X <sub>2</sub> 580 | 231621      | 45 9412 X <sub>2</sub> 625 |
| 231579      | 45 9412 X <sub>2</sub> 581 | 231622      | 45 9412 X <sub>2</sub> 626 |
| 231580      | 45 9412 X <sub>2</sub> 582 | 231623      | 45 9412 X <sub>2</sub> 627 |
| 231581      | 45 9412 X <sub>2</sub> 583 | 231660      | 45 9412 X <sub>2</sub> 635 |
| 231582      | 45 9412 X <sub>2</sub> 584 | 231661      | 45 9412 X <sub>2</sub> 636 |
| 231583      | 45 9412 X <sub>2</sub> 585 | 231662      | 45 9412 X <sub>2</sub> 637 |
| 231584      | 45 9412 X <sub>2</sub> 586 | 231663      | 45 9412 X <sub>2</sub> 638 |
| 231585      | 45 9412 X <sub>2</sub> 587 | 231664      | 45 9412 X <sub>2</sub> 639 |
| 231586      | 45 9412 X <sub>2</sub> 588 | 231665      | 45 9412 X <sub>2</sub> 640 |

## Продолжение табл. 2

| Номер винта | Код ОКП винта              | Номер винта | Код ОКП винта              |
|-------------|----------------------------|-------------|----------------------------|
| 231666      | 45 9412 X <sub>2</sub> 641 | 231718      | 45 9412 X <sub>2</sub> 696 |
| 231667      | 45 9412 X <sub>2</sub> 642 | 231719      | 45 9412 X <sub>2</sub> 697 |
| 231668      | 45 9412 X <sub>2</sub> 643 | 231720      | 45 9412 X <sub>2</sub> 698 |
| 231669      | 45 9412 X <sub>2</sub> 644 | 231721      | 45 9412 X <sub>2</sub> 699 |
| 231670      | 45 9412 X <sub>2</sub> 645 | 231722      | 45 9412 X <sub>2</sub> 700 |
| 231671      | 45 9412 X <sub>2</sub> 646 | 231723      | 45 9412 X <sub>2</sub> 701 |
| 231672      | 45 9412 X <sub>2</sub> 647 | 231724      | 45 9412 X <sub>2</sub> 702 |
| 231673      | 45 9412 X <sub>2</sub> 648 | 231725      | 45 9412 X <sub>2</sub> 703 |
| 231674      | 45 9412 X <sub>2</sub> 649 | 231726      | 45 9412 X <sub>2</sub> 704 |
| 231675      | 45 9412 X <sub>2</sub> 650 | 231727      | 45 9412 X <sub>2</sub> 705 |
| 231676      | 45 9412 X <sub>2</sub> 651 | 231728      | 45 9412 X <sub>2</sub> 706 |
| 231677      | 45 9412 X <sub>2</sub> 652 | 231729      | 45 9412 X <sub>2</sub> 707 |
| 231678      | 45 9412 X <sub>2</sub> 653 | 231730      | 45 9412 X <sub>2</sub> 708 |
| 231679      | 45 9412 X <sub>2</sub> 654 | 231731      | 45 9412 X <sub>2</sub> 709 |
| 231680      | 45 9412 X <sub>2</sub> 655 | 231732      | 45 9412 X <sub>2</sub> 710 |
| 231688      | 45 9412 X <sub>2</sub> 665 | 231733      | 45 9412 X <sub>2</sub> 711 |
| 231689      | 45 9412 X <sub>2</sub> 666 | 231734      | 45 9412 X <sub>2</sub> 712 |
| 231690      | 45 9412 X <sub>2</sub> 667 | 231735      | 45 9412 X <sub>2</sub> 713 |
| 231691      | 45 9412 X <sub>2</sub> 668 | 231773      | 45 9412 X <sub>2</sub> 726 |
| 231692      | 45 9412 X <sub>2</sub> 669 | 231774      | 45 9412 X <sub>2</sub> 727 |
| 231693      | 45 9412 X <sub>2</sub> 670 | 231775      | 45 9412 X <sub>2</sub> 728 |
| 231694      | 45 9412 X <sub>2</sub> 671 | 231776      | 45 9412 X <sub>2</sub> 729 |
| 231695      | 45 9412 X <sub>2</sub> 672 | 231777      | 45 9412 X <sub>2</sub> 730 |
| 231696      | 45 9412 X <sub>2</sub> 673 | 231778      | 45 9412 X <sub>2</sub> 731 |
| 231697      | 45 9412 X <sub>2</sub> 674 | 231779      | 45 9412 X <sub>2</sub> 732 |
| 231698      | 45 9412 X <sub>2</sub> 675 | 231780      | 45 9412 X <sub>2</sub> 733 |
| 231699      | 45 9412 X <sub>2</sub> 676 | 231781      | 45 9412 X <sub>2</sub> 734 |
| 231700      | 45 9412 X <sub>2</sub> 677 | 231782      | 45 9412 X <sub>2</sub> 735 |
| 231701      | 45 9412 X <sub>2</sub> 678 | 231783      | 45 9412 X <sub>2</sub> 736 |
| 231702      | 45 9412 X <sub>2</sub> 679 | 231784      | 45 9412 X <sub>2</sub> 737 |
| 231703      | 45 9412 X <sub>2</sub> 680 | 231785      | 45 9412 X <sub>2</sub> 738 |
| 231704      | 45 9412 X <sub>2</sub> 681 | 231786      | 45 9412 X <sub>2</sub> 739 |
| 231705      | 45 9412 X <sub>2</sub> 682 | 231787      | 45 9412 X <sub>2</sub> 740 |
| 231706      | 45 9412 X <sub>2</sub> 683 | 231788      | 45 9412 X <sub>2</sub> 741 |
| 231707      | 45 9412 X <sub>2</sub> 684 | 231789      | 45 9412 X <sub>2</sub> 742 |
| 231708      | 45 9412 X <sub>2</sub> 685 | 231790      | 45 9412 X <sub>2</sub> 743 |